



Pushing Performance



PUSHING EASY INSTALLATION

People | Power | Partnership

HARTING
Sensor actuator boxes



Transforming customer wishes into concrete solutions



The HARTING Technology Group is skilled in the fields of electrical, electronic and optical connection, transmission and networking technology, as well as in manufacturing, mechatronics and software creation. The Group uses these skills to develop customized solutions and products such as connectors for energy and data-transmission/data-networking applications, including, for example, mechanical engineering, rail technology, wind energy plants, factory automation and the telecommunications sector. In addition, HARTING also produces electro-magnetic components for the automobile industry and offers solutions in the field of housing technology and shop systems.

The HARTING Group currently comprises 58 sales companies and production plants worldwide employing a total of about 5,000 staff.

We aspire to top performance.

Connectors ensure functionality. As core elements of electrical and optical termination, connection and infrastructure technologies, they are essential in enabling the modular construction of devices, machines and systems across an extremely wide range of industrial applications. Their reliability is a crucial factor guaranteeing smooth functioning in the manufacturing area, telecommunications, applications in medical technology – in short, connectors are at work in virtually every conceivable application area. Thanks to the ongoing development of our technologies, our customers enjoy investment security and benefit from durable, long-term functionality.

Wherever our customers are, we're there.

Increasing industrialization is creating growing markets that are characterized by widely diverging demands and requirements. What these markets all share in common is the quest for perfection, increasingly efficient processes and reliable technologies. **HARTING** is providing these technologies – in Europe, the Americas and Asia. In order to implement customer requirements in the best possible manner, the **HARTING** professionals at our international subsidiaries engage in up-close, partnership-based interaction with our customers, right from the very early product development phase.

Our on-site staff form the interface to the centrally coordinated development and production departments. In this way, our customers can rely on consistently high, superior product quality – worldwide.

Our claim: Pushing Performance.

HARTING provides more than optimally attuned components. In order to offer our customers the best possible solutions, on request **HARTING** contributes a great deal more and is tightly integrated into the value-creation process.

From ready-assembled cables through to control racks or ready-to-go control desks. Our aim is to generate maximum benefit for our customers – with no compromises!

Quality creates reliability – and warrants trust.

The **HARTING** brand stands for superior quality and reliability – worldwide. The standards we set are the result of consistent, stringent quality management that is subject to regular certifications and audits.

EN ISO 9001, the EU Eco-Audit and ISO 14001 are key elements here. We take a proactive stance towards new requirements, which is why **HARTING** is the first company worldwide to have obtained the IRIS quality certificate for rail vehicles.



HARTING technology creates added value for customers.

Technologies by **HARTING** are at work worldwide. **HARTING**'s presence stands for smoothly functioning systems powered by intelligent connectors, smart infrastructure solutions and sophisticated network systems. Over the course of many years of close, trust-based cooperation with its customers, the **HARTING** Technology Group has become one of the leading specialists globally for connector technology. We offer individual customers specific and innovative solutions that go beyond the basic standard functionalities. These tailored solutions deliver sustained results, ensure investment security and enable customers to achieve significant added value.

Opting for HARTING opens up an innovative, complex world of concepts and ideas.

In order to develop and produce connectivity and network solutions serving an exceptionally wide range of connector applications in a professional and cost-effective manner, **HARTING** not only commands the full array of conventional tools and basic technologies. Above and beyond these capabilities, **HARTING** is constantly harnessing and refining its broad base of knowledge and experience to create new solutions that also ensure continuity. To secure its lead in know-how, **HARTING** draws on a wealth of sources from its in-house research and applications.

Salient examples of these sources of innovative knowledge include microstructure technologies, 3D design and connection technology,

high-temperature and ultrahigh-frequency applications that are finding use in telecommunications and automation networks, in the automotive industry, or in industrial sensor and actuator applications, RFID and wireless technologies, in addition to packaging and housing made of plastics, aluminium and stainless steel.

HARTING overcomes technological limitations.

Drawing on the comprehensive resources of the group's technology pool, **HARTING** devises practical solutions for its customers. Whether this involves industrial networks for manufacturing automation, or hybrid interface solutions for wireless telecommunication infrastructures, 3D circuit carriers with microstructures, or cable assemblies for high-temperature applications in the automotive industry - **HARTING** technologies offer not only components, but comprehensive solutions attuned to individual customer requirements and preferences. The range of cost-effective solutions covers ready-to-use cable configurations, completely assembled backplanes and board system carriers, as well as fully wired and tested control panels.

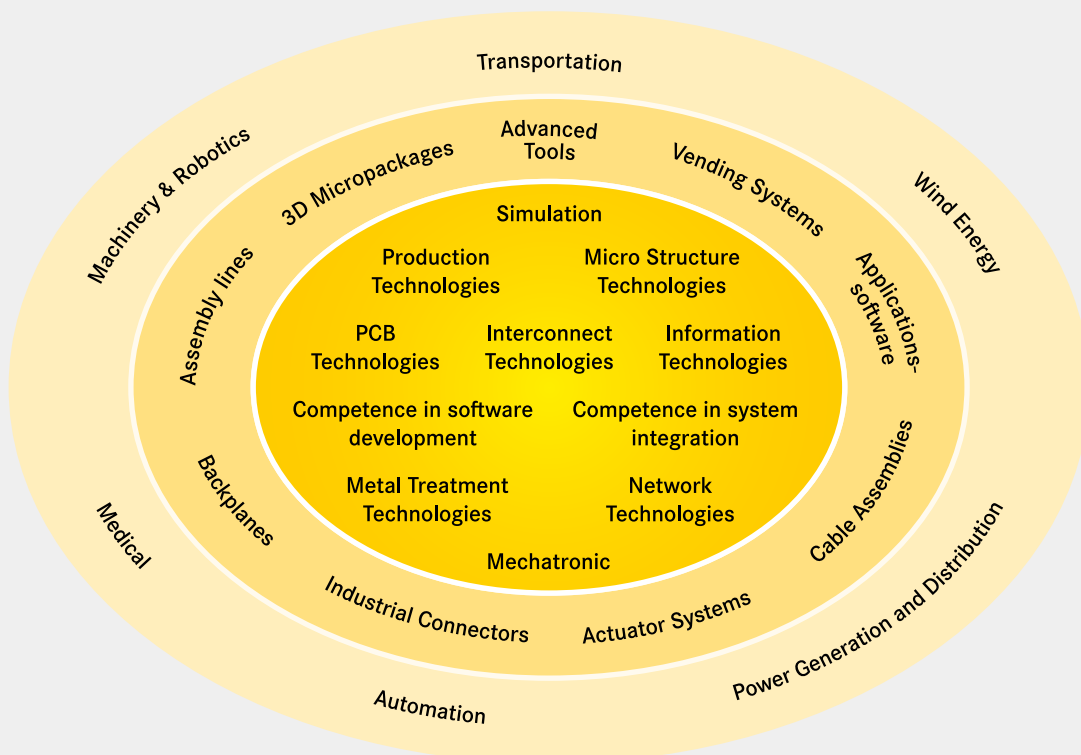
In order to ensure the future-proof design of RF and EMC-compatible interface solutions, the central **HARTING** laboratory (accredited according to DIN EN ISO/IEC 17 025) employs simulation tools, as well as experimental, testing and diagnostics facilities all the way to Industrial computed tomography. In addition to product and process suitability considerations, lifecycle and environmental aspects play a key role in the selection of materials and processes.



HARTING's knowledge is practical know-how that generates synergy effects.

HARTING commands decades of experience with regard to the applications conditions involved in connections in telecommunications, computer, network and medical technologies, as well as industrial automation technologies, e.g. in the mechanical engineering and plant engineering areas, in addition to the power generation industry and the transportation sector. HARTING is

highly conversant with the specific application areas in all of these technology fields. In every solution approach, the key focus is on the application. In this context, uncompromising, superior quality is our hallmark. Every new solution found invariably flows back into the HARTING technology pool, thereby enriching our resources. And every new solution we go on to create will draw on this wealth of resources in order to optimize each and every individual solution. HARTING is synergy in action.





The **HARTING eCatalogue / eShop** can be found on our homepage at www.HARTING.com or at the direct link www.eCatalogue.HARTING.com.

The HARTING e-Catalogue is your platform for conveniently selecting individual products as well as configuring complete solutions. Our comprehensive product pages provide you with all necessary technical information and CAD files in various formats for downloading. You may also contact our technical sales department directly.

Find out about **product innovations and news** on the start page of the HARTING e-Catalogue or go directly to www.product-news.HARTING.com.

Registered users can take advantage of MyHARTING to check on availability or prices, and to place or track their orders. Here, your customized „HARTING history“ provides you with a list of your inquiries, quotations and more.

Sign up now for your free e-Catalogue account at HARTING!

www.eShop.HARTING.com

Contents

Page

With M12 ports

Connection technology for the master cable

M23 **8**

Pre-assembled cable **11**

Pluggable cable **13**

With M8 ports

Connection technology for the master cable

M12 or M16 **15**

Pre-assembled cable **17**

System cables

M12, with A-coding, 4 poles **18**

M12, with A-coding, 5 poles **19**

M8, 3- resp. 4 poles **20**

Addresses **21**

HARTING
sensor actuator boxes
with M12 ports



Features

- Available with 4-, 6- and 8-port design
- Different connection technologies for master cable
 - M23, pre-assembled or pluggable cable
- LEDs for operating- and status indicator
- Matching cable assemblies available
- A-coded (4 or 5 poles)
- Passive sensor actuator boxes

Technical characteristics

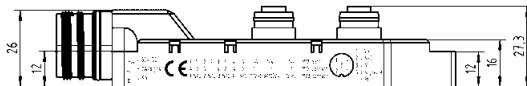
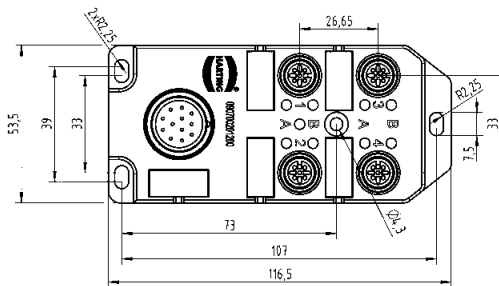
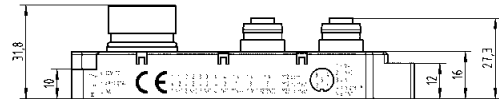
Degree of protection	IP67
Number of channels	1 or 2 per port
Rated current	2 A per contact 9 A max. total
Rated voltage	10 - 30 V DC
Temperature range	-30 °C ... +85 °C
Circuit logic	pnp / npn

Identification Part number Drawing Dimensions in mm

HARTING
sensor actuator boxes

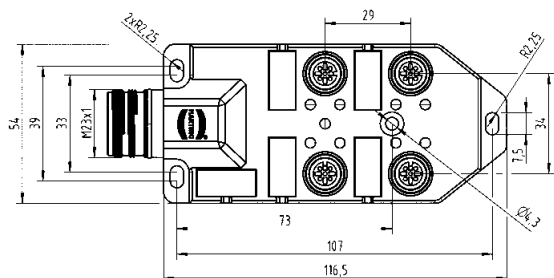
4 x M12, 4 poles
1 x M23, 12 poles

09 07 002 0120 0



4 x M12, 4 poles
1 x M23, 12 poles

09 07 002 0120 1



HARTING sensor actuator boxes with M12 ports



Identification

Part number

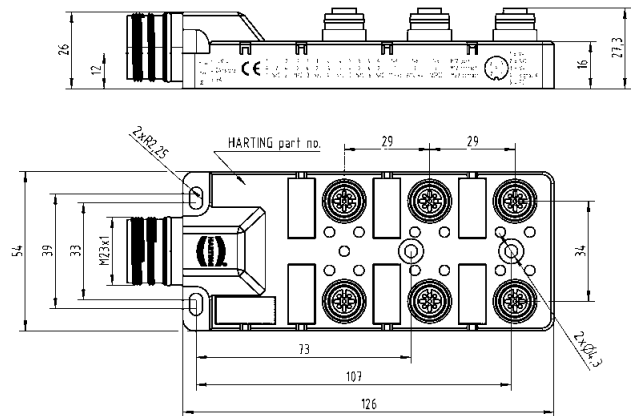
Drawing

Dimensions in mm

HARTING sensor actuator boxes

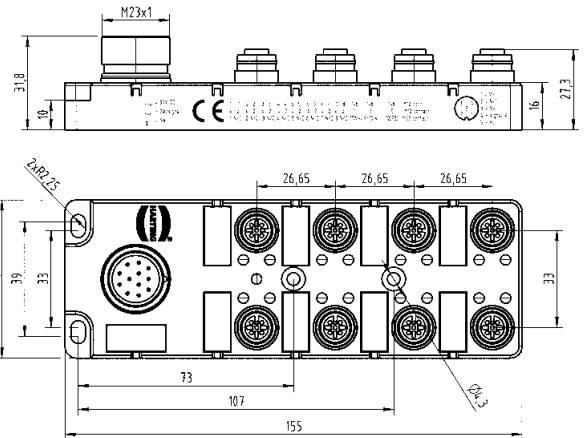
6 x M12, 4 poles
1 x M23, 12 poles

09 07 002 1120 1



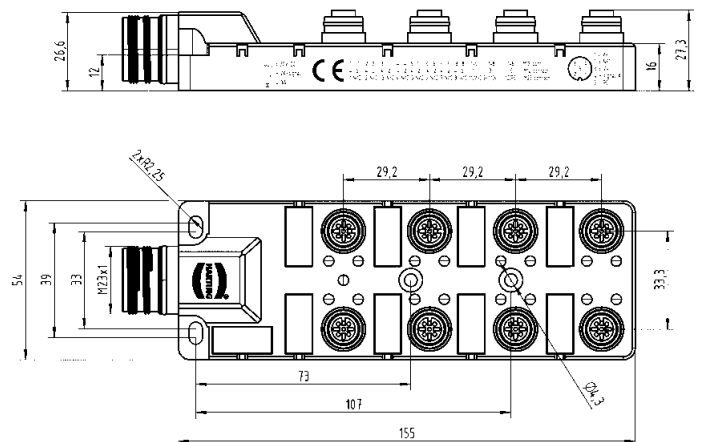
8 x M12, 4 poles
1 x M23, 12 poles

09 07 002 2120 0



8 x M12, 4 poles
1 x M23, 12 poles

09 07 002 2120 1



HARTING sensor actuator boxes with M12 ports



Identification

Part number

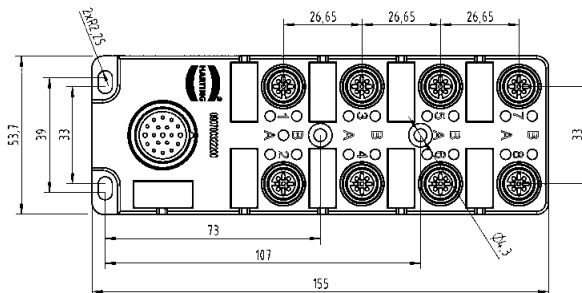
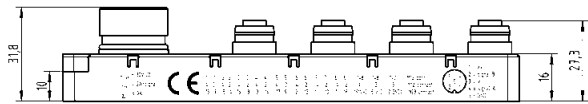
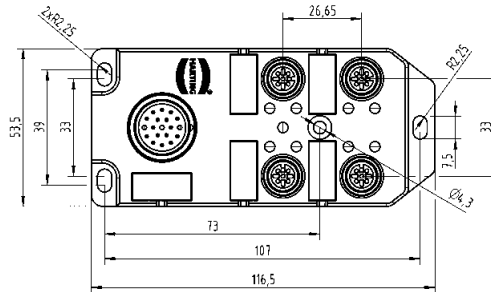
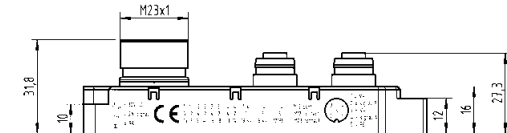
Drawing

Dimensions in mm

HARTING sensor actuator boxes

4 x M12, 5 poles
1 x M23, 19 poles

09 07 003 0220 0



8 x M12, 5 poles
1 x M23, 19 poles

09 07 003 2220 0

HARTING sensor actuator boxes with M12 ports



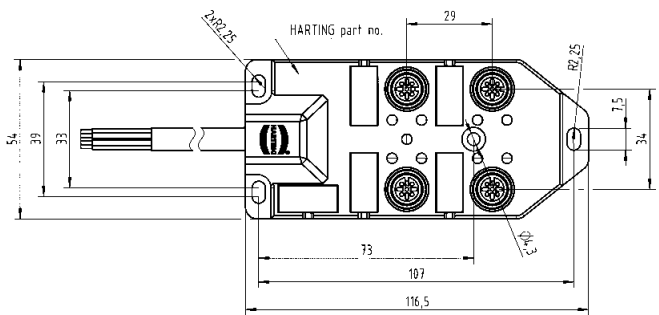
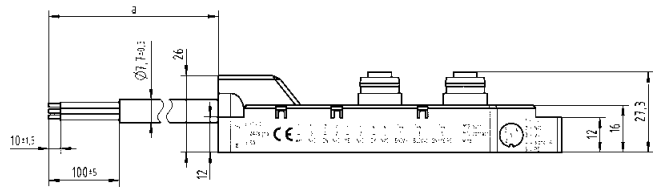
Identification	Part number	Drawing	Dimensions in mm
----------------	-------------	---------	------------------

HARTING sensor actuator boxes

4 x M12, 4 poles
pre-assembled cable
3 x 0.75 mm² + 4 x 0.34 mm²

PVC	L = 2 m	09 07 001 0125 3
	L = 5 m	09 07 001 0125 1
	L = 10 m	09 07 001 0125 0

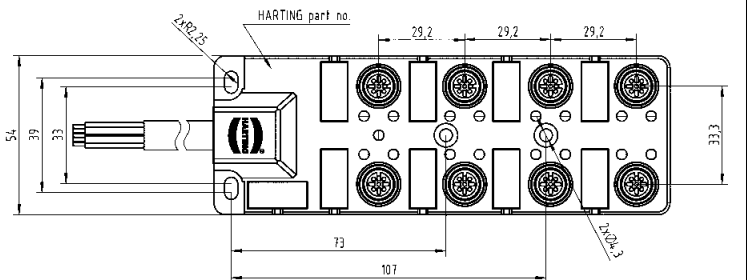
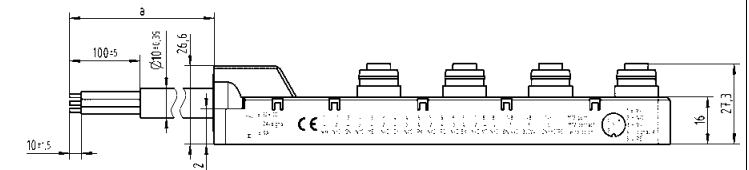
PUR	L = 2 m	09 07 001 0120 3
	L = 5 m	09 07 001 0120 1
	L = 10 m	09 07 001 0120 0



8 x M12, 4 poles
pre-assembled cable
3 x 0.75 mm² + 8 x 0.34 mm²

PVC	L = 2 m	09 07 001 2125 3
	L = 5 m	09 07 001 2125 1
	L = 10 m	09 07 001 2125 0

PUR	L = 2 m	09 07 001 2120 3
	L = 5 m	09 07 001 2120 1
	L = 10 m	09 07 001 2120 0



HARTING sensor actuator boxes with M12 ports



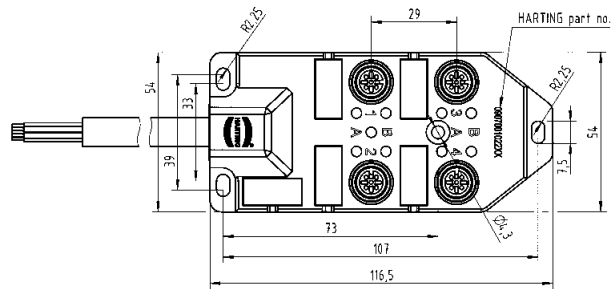
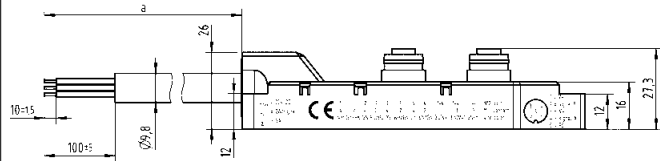
Identification Part number Drawing Dimensions in mm

HARTING sensor actuator boxes

4 x M12, 5 poles
pre-assembled cable
3 x AWG18 + 8 x AWG22

PVC L = 2 m 09 07 001 0225 3
 L = 5 m 09 07 001 0225 1
 L = 10 m 09 07 001 0225 0

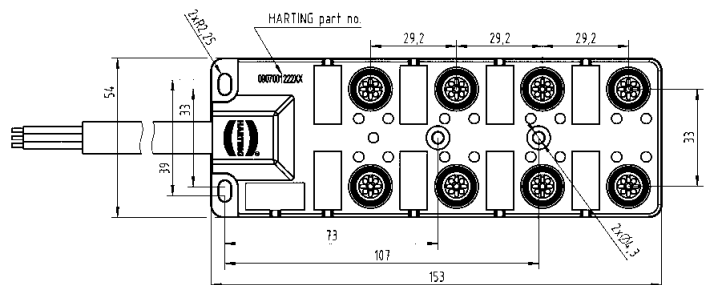
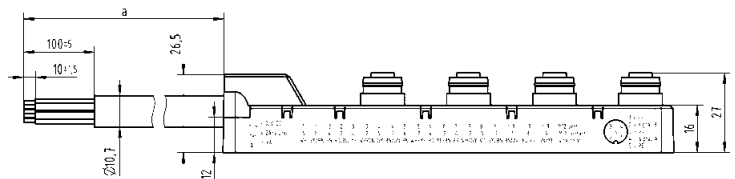
PUR L = 2 m 09 07 001 0220 3
 L = 5 m 09 07 001 0220 1
 L = 10 m 09 07 001 0220 0



8 x M12, 5 poles
pre-assembled cable
3 x AWG18 + 16 x AWG22

PVC L = 2 m 09 07 001 2225 3
 L = 5 m 09 07 001 2225 1
 L = 10 m 09 07 001 2225 0

PUR L = 2 m 09 07 001 2220 3
 L = 5 m 09 07 001 2220 1
 L = 10 m 09 07 001 2220 0



HARTING sensor actuator boxes with M12 ports



Identification

Part number

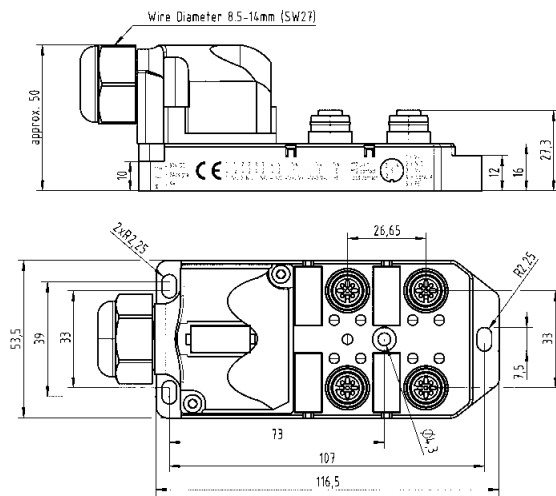
Drawing

Dimensions in mm

HARTING sensor actuator boxes

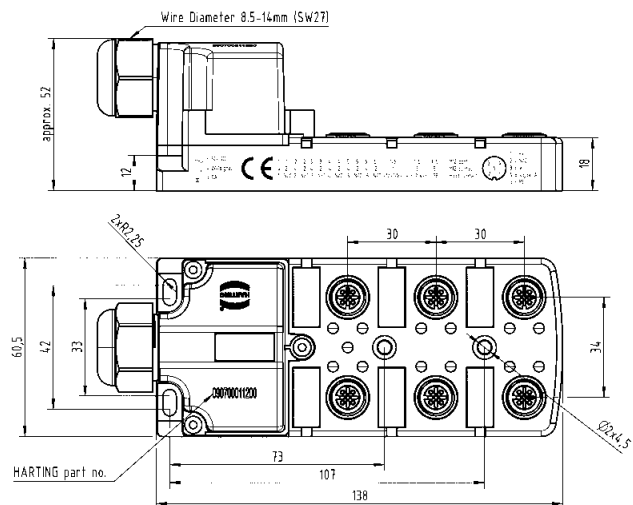
4 x M12, 4 poles connection cover

09 07 000 0120 0



6 x M12, 4 poles connection cover

09 07 000 1120 0



HARTING sensor actuator boxes with M12 ports



Identification

Part number

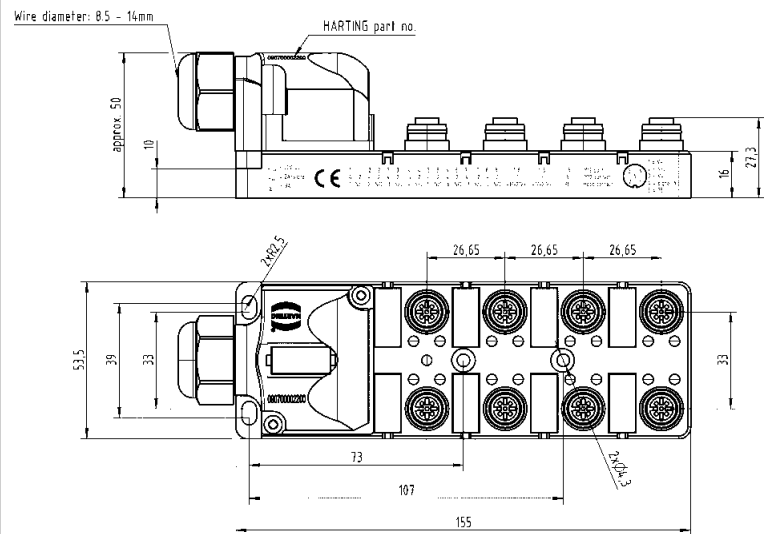
Drawing

Dimensions in mm

HARTING sensor actuator boxes

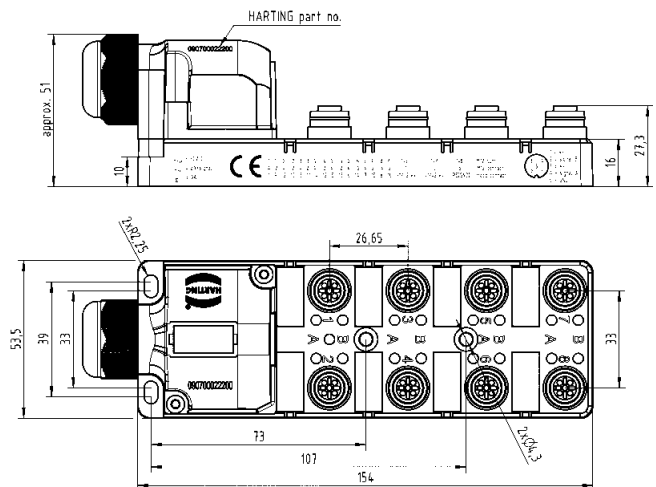
8 x M12, 4 poles connection cover

09 07 000 2120 0



8 x M12, 5 poles connection cover

09 07 000 2220 0





HARTING
sensor actuator boxes
with M8 ports

Features

- Available with 4-, 6- and 8-port design
- Different connection technologies for master cable
 - Pre-assembled cable, M12 or M16
- LEDs for operating- and status indicator
- Matching cable assemblies available
- A-coded (3 or 4 poles)
- Passive sensor actuator boxes

Technical characteristics

Degree of protection	IP67
Number of channels	1 per port
Rated current	2 A per contact 6 A max. total
Rated voltage	10 - 30 V DC
Temperature range	-25 °C ... +85 °C
Circuit logic	pnp / npn

Identification

Part number

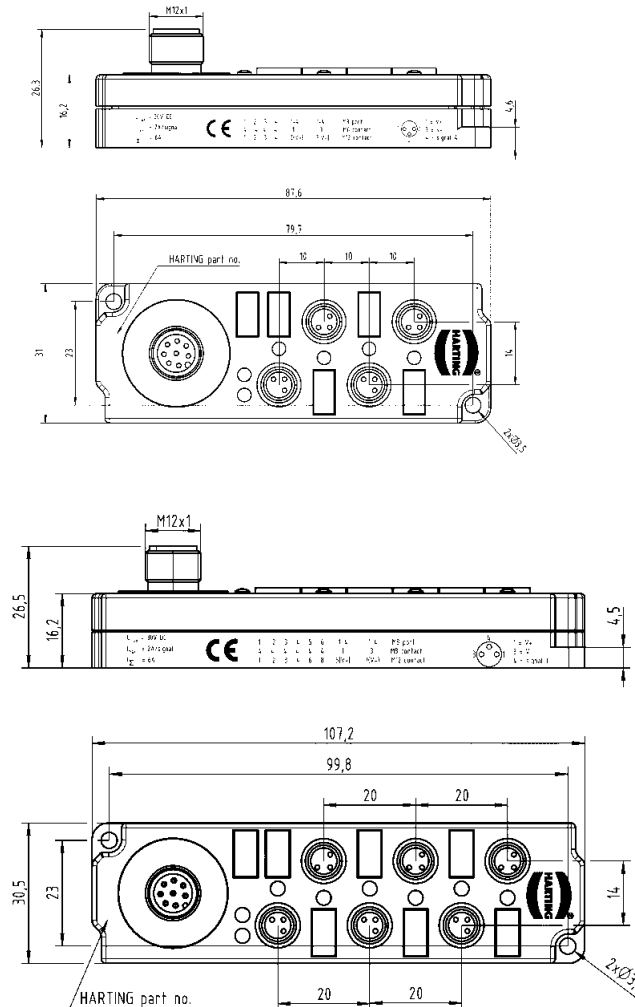
Drawing

Dimensions in mm

HARTING
sensor actuator boxes

4 x M8, 3 poles
1 x M12, 8 poles

09 07 005 0010 0



6 x M8, 3 poles
1 x M12, 8 poles

09 07 005 1010 0

HARTING sensor actuator boxes with M8 ports

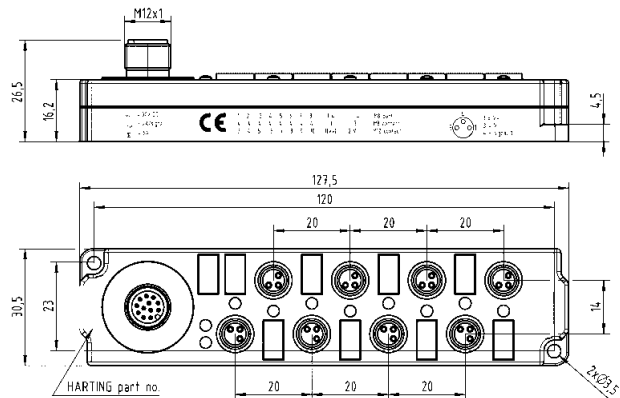


Identification Part number Drawing Dimensions in mm

HARTING sensor actuator boxes

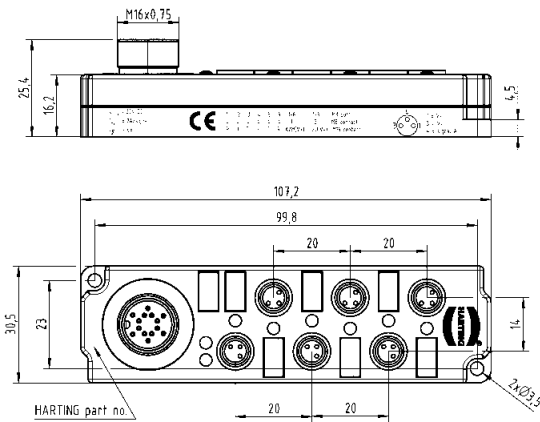
8 x M8, 3 poles
1 x M12, 12 poles

09 07 006 2010 0



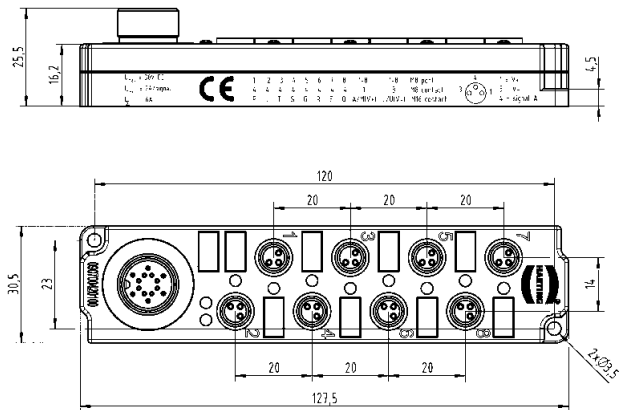
6 x M8, 3 poles
1 x M16, 14 poles

09 07 004 1010 0



8 x M8, 3 poles
1 x M16, 14 poles

09 07 004 2010 0



HARTING sensor actuator boxes with M8 ports



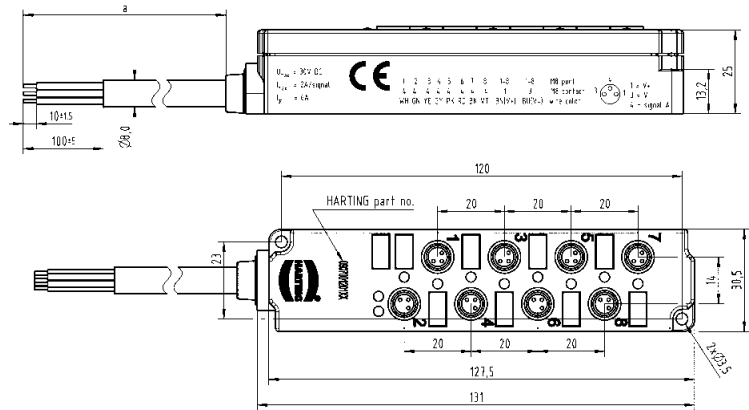
Identification	Part number	Drawing	Dimensions in mm
----------------	-------------	---------	------------------

HARTING sensor actuator boxes

8 x M8, 3 poles
pre-assembled cable
2 x AWG20 + 8 x AWG24

PVC	L = 2 m	09 07 001 2015 3
	L = 5 m	09 07 001 2015 1
	L = 10 m	09 07 001 2015 0

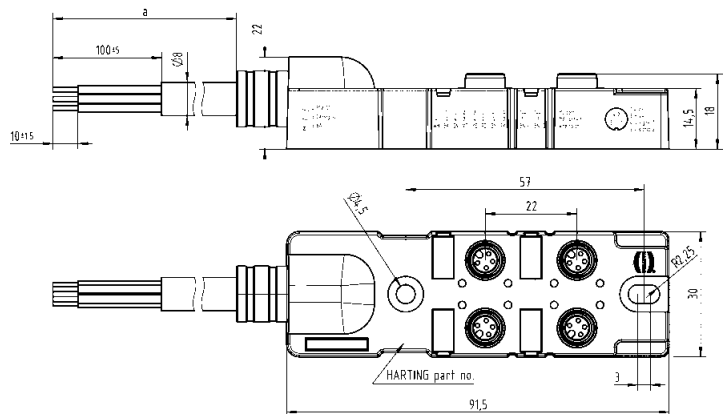
PUR	L = 2 m	09 07 001 2010 3
	L = 5 m	09 07 001 2010 1
	L = 10 m	09 07 001 2010 0

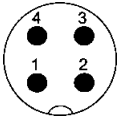


4 x M8, 4 poles
pre-assembled cable
2 x AWG20 + 8 x AWG24

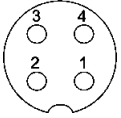
PVC	L = 2 m	09 07 001 0115 3
	L = 5 m	09 07 001 0115 1
	L = 10 m	09 07 001 0115 0

PUR	L = 2 m	09 07 001 0110 3
	L = 5 m	09 07 001 0110 1
	L = 10 m	09 07 001 0110 0





Male, 4 poles



Female, 4 poles



Part number definition



Connector 1

- 84 Male straight
- 85 Female straight
- 86 Male angled
- 87 Female angled

Connector 2

- 00 No connector
- 84 Male straight
- 85 Female straight
- 86 Male angled
- 87 Female angled

Number of contacts

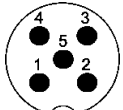
4 4 poles

Cable material

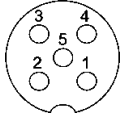
- 83 PVC (3 poles)
- 84 PVC (4 poles)
- 90 PUR (3 poles)
- 91 PUR (4 poles)

Preferred length*

- 005 0.5 m
- 010 1.0 m
- 015 1.5 m
- 020 2.0 m
- 050 5.0 m
- 075 7.5 m
- 100 10.0 m



Male, 5 poles



Female, 5 poles



Part number definition



Connector 1

- 84 Male straight
- 85 Female straight
- 86 Male angled
- 87 Female angled

Connector 2

- 00 No connector
- 84 Male straight
- 85 Female straight
- 86 Male angled
- 87 Female angled

Number of contacts

5 5 poles

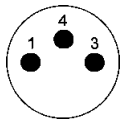
Cable material

- 70 PUR (8 poles)
- 82 PVC (8 poles)
- 85 PVC (5 poles)
- 92 PUR (5 poles)

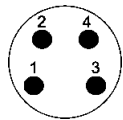
Preferred length*

- 005 0.5 m
- 010 1.0 m
- 015 1.5 m
- 020 2.0 m
- 050 5.0 m
- 075 7.5 m
- 100 10.0 m

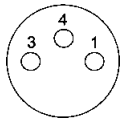
* Other length on request



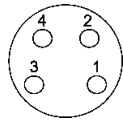
Male, 3 poles



Male, 4 poles



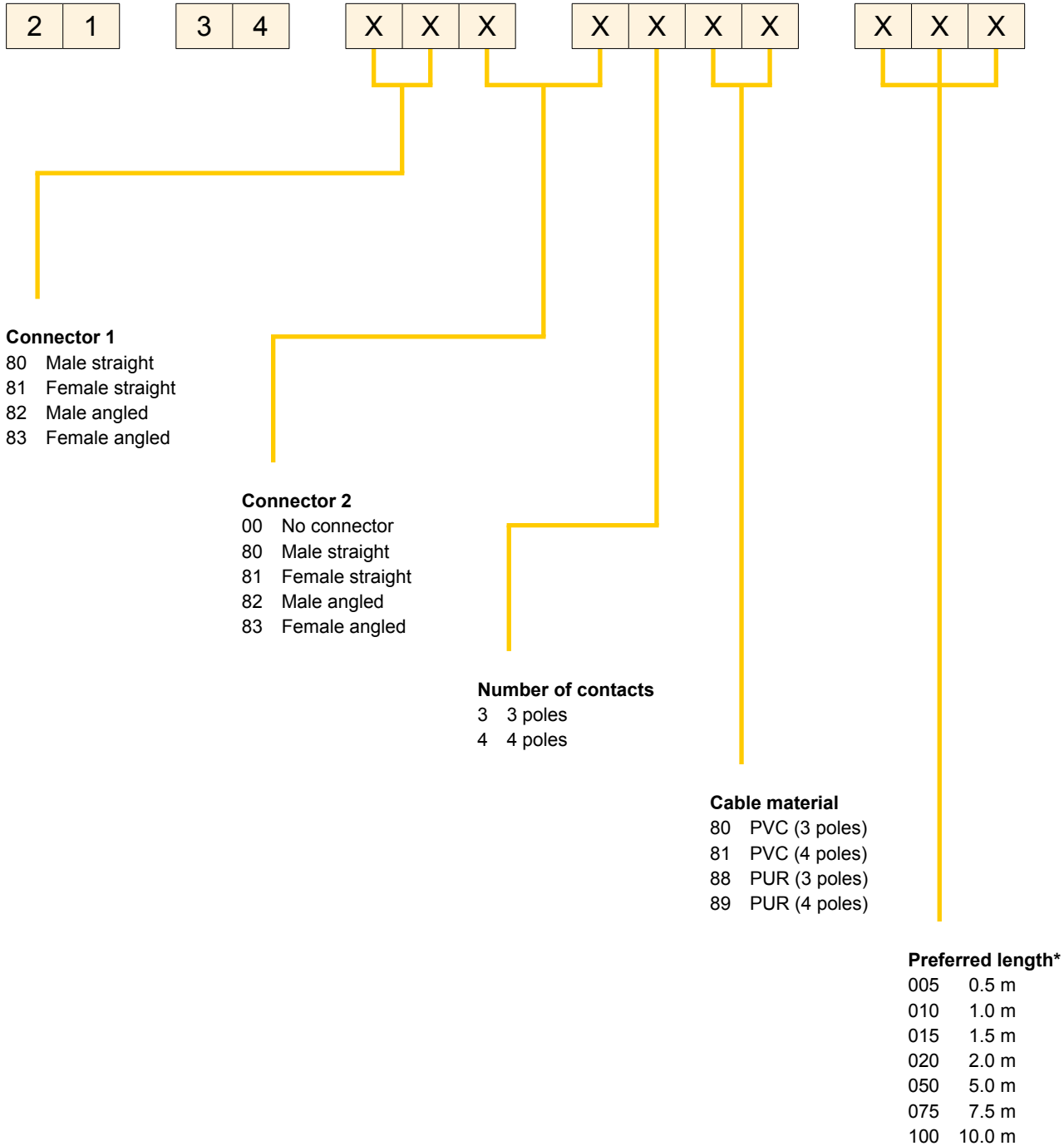
Female, 3 poles



Female, 4 poles



Part number definition



Armenia:

refer to Russia

Australia

HARTING Pty. Ltd.
Suite 11 / 2 Enterprise Drive Bundoora
3083, University Hill Melbourne, Victoria
Phone 1800 201 081 (toll free calling
within AUS)
+61 3 9466 7088
au@HARTING.com

Australia and Oceania:

refer to Australia

Austria

HARTING Ges.m.b.H.
Deutschstraße 19
1230 Wien
Phone +43 161 621 21
at@HARTING.com

Azerbaijan:

refer to Turkey

Baltic States:

refer to Finland

Belarus:

refer to Russia

Belgium

HARTING N.V.
Z.3 Doornveld 23
1731 Zellik
Phone +32 2 466 0190
be@HARTING.com

Bosnia Herzegovina:

refer to Austria

Brazil

HARTING Ltda.
Alameda Caiapós, 643
06460-110- Barueri - São Paulo
Phone +55 11 5035 0073
br@HARTING.com

Canada

HARTING Canada Inc.
475 Dumont Avenue
Suite 300
Dorval, Quebec, H9S 5W2
Phone +1 855 659-6653
info.ca@HARTING.com

Central America and the Caribbean:

refer to USA

Central Asia:

refer to Russia

China

HARTING (Zhuhai) Sales Ltd.
Room 3501, Grand Gateway I
No. 1 Hong Qiao Road
Xu Hui District
Shanghai 200030
Phone +86 21 3418 9758
cn@HARTING.com

Croatia:

refer to Austria

Czech Republic

HARTING s.r.o.
Mlýnská 2
160 00 Praha 6
Phone +420 220 380 495
cz@HARTING.com

Denmark

HARTING ApS
Resilience House
Lysholt Allé 8
7100 Vejle
Phone +45 70 25 00 32
dk@HARTING.com

Finland

HARTING Oy
Teknobulevardi 3-5
01530 Vantaa
Phone +358 207 291 510
fi@HARTING.com

France

HARTING France EURL
ZAC Paris Nord 2
181 avenue des Nations
95934 ROISSY CDG
Phone +33 1 4938 3400
fr@HARTING.com

Germany

HARTING Deutschland
GmbH & Co. KG
Simeons carré 1, D-32427 Minden
Phone +49 571 8896 0
de@HARTING.com

Georgia:

refer to Russia

Great Britain

HARTING Limited
Caswell Road
Brackmills Industrial Estate
NN4 7PW GB – Northampton
Phone +44 1604 82 75 00
salesuk@HARTING.com

Greece:

refer to Italy

Hong Kong

HARTING (HK) Limited
Regional Office Asia Pacific
3512, Metroplaza Tower 1
223 Hing Fong Road
Kwai Fong, N. T.
Phone +852 2423 7338
ap@HARTING.com

Hungary

HARTING Magyarország Kft.
Fehérvári út 89-95
1119 Budapest
Phone +36 1 205 34 64
hu@HARTING.com

India

HARTING (India) Private Limited
7th Floor (West Wing)
Central Square II
Unit No.B 19 part, B 20 & 21
TVK Industrial Estate
Guindy, Chennai 600032
Phone +91-44-43560415
in@HARTING.com

Ireland:

refer to Great Britain

Israel:

refer to Turkey

Italy

HARTING S.R.L.
Via dell' Industria 7
20090 Vimodrone (MI)
Phone +39 02 250801
it@HARTING.com

Japan

HARTING K.-K.
Yusen Shin-Yokohama
1 Chome Bldg., 2F 1-7-9,
Shin-Yokohama, Kohoku-ku
Yokohama 222-0033
Phone +81 45 476 3456
jp@HARTING.com

Korean Republic

HARTING Korea Co. Ltd.
B-B108, Woolim Lions Valley 5th
302 Galmachi-ro, Jungwon-gu
Seongnam-si, Gyeonggi-do 13201
Phone +82 31 750 0380
kr@HARTING.com

Kosovo:

refer to Austria

Macedonia:

refer to Austria

Malta:

refer to Italy

Mexico

HARTING Mexico S.A. de C.V.
IOS Torre Virreyes
Pedregal No. 24, Co. Molino Del Rey
Suites 357 A, B, C
Del Miguel Hidalgo, Mexico D.F. 11600
Phone +1 800 123 0415
HARTING.mexico@HARTING.com

Middle East:

refer to United Arab Emirates

Montenegro:

refer to Austria

Netherlands

HARTING B.V.
Larenweg 44
5234 's-Hertogenbosch
Phone +31 736 410 404
nl@HARTING.com

Norway

HARTING A/S
Østensjøveien 36
0667 Oslo
Phone +47 22 700 555
no@HARTING.com

Pakistan:

refer to United Arab Emirates

Poland

HARTING Polska Sp. z o.o.
ul. Duńska 11
54-427 Wrocław
Phone +48 71 352 81 71
pl@HARTING.com

Romania

HARTING Romania SCS
Str. Europa Unita nr 21
550018 Sibiu
Phone +40 369 102 610
ro@HARTING.com

Russia

LLC HARTING
Sverdlovskaya nab., 44, lit. Yu, office 612
195027, St. Petersburg
Phone +7 812 327 6477
ru@HARTING.com

Serbia:

refer to Austria

Singapore

HARTING Singapore Pte. Ltd.
25 International Business Park
#04-108 German Centre
SGP-Singapore 609916
Phone +65 6225 5285
sg@HARTING.com

Slovakia

HARTING s.r.o.
Slovakia branch
Štefániková Trieda 71, (areál pivovaru)
949 01 Nitra
Phone +421 37 655 9089
sk@HARTING.com

Slovenia:

refer to Austria

South Africa

HARTING South Africa Proprietary
Limited
Ground Floor, Twickenham Building
The Campus, Cnr Main & Sloane Street
Bryanston
Johannesburg (Bryanston)
2021
Phone +27 (0) 11 575 0017
za@HARTING.com

South America:

refer to Brazil

South Asia:

refer to Singapore

South Pacific:

refer to Australia

Spain

HARTING Iberia S.A.U.
C/Viriato, 47 8º Planta
Edificio Numancia, 1
08014 Barcelona
Phone +34 933 638 484
es@HARTING.com

Sub-Sahara countries:

refer to South Africa

Sweden

HARTING AB
Gustavslundsvägen 141B
167 51 Bromma
Phone +46 8 445 7171
se@HARTING.com

Switzerland

HARTING AG
Volketswil branch
Hofwiesenstrasse 4 A
8604 Volketswil
Phone +41 44 908 20 60
ch@HARTING.com

Taiwan

HARTING Taiwan Ltd.
Room 1, 5/F, 495 GuangFu South Road
RC-110 Taipei
Phone +886 227 586 177
tw@HARTING.com

Turkey

HARTING Türkiye Elektronik Ticaret
Limited Sirketi
Bayar Cad. Şehit İknur Keleş Sok.
Dural Plaza No:3 K.11
34742 Kozyatagi – Istanbul
Phone +90 216 688 81 00
tr@HARTING.com

Ukraine:

refer to Poland

United Arab Emirates

HARTING Middle East FZ-LLC
Knowledge Village
Block 2A - Office F72
P.O. Box: 454372
Dubai
Phone +971 4 453 9737
uae@HARTING.com

HARTING Inc. of North America

1370 Bowes Road
USA-Elgin, Illinois 60123
Phone +1 847 741 1500
us@HARTING.com

Distributors – worldwide



ARROW: www.arrow.com

Digi-Key Corporation: www.digikey.com

Farnell: www.farnell.com

FUTURE Electronics:
www.futureelectronics.com

HEILIND Electronics:
www.heilind.com

Mouser Electronics: www.mouser.com

RS Components: www.rs-components.com

Other countries and general contact



HARTING Customised GmbH & Co. KG

In der Tütenbeke 22

D-32339 Espelkamp

Phone +49 5772 47-0

HCS@HARTING.com

www.HARTING.com



Pushing Performance

HARTING.com –
the gateway to your
country website.
