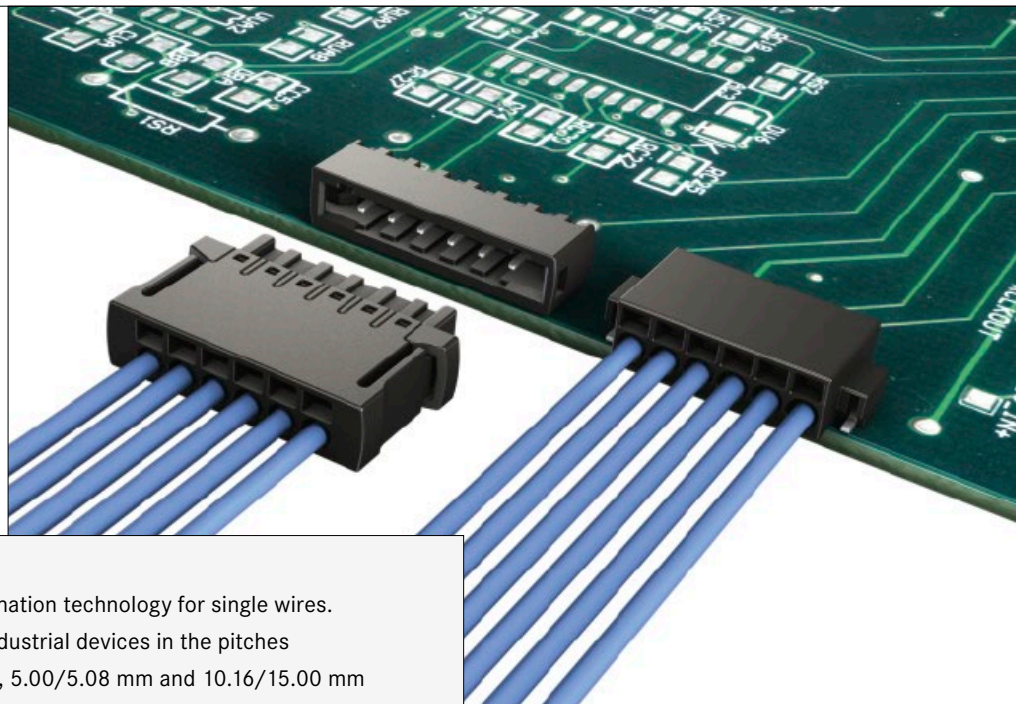


15. har-flexicon® Connectors



har-flexicon® is the robust PCB termination technology for single wires. Components for the termination of industrial devices in the pitches of 1.27 mm, 2.54 mm, 3.50/3.81 mm, 5.00/5.08 mm and 10.16/15.00 mm are available.

All components are particularly suited for reflow- and wave-soldering on the PCB and offer field assembly with PushIn, insulation displacement and screw termination for single wires.

Application profile:

CONNECTION TYPE		ENVIRONMENT		APPLICATION						
Board to Board	Cable/Wire to Board	IP20	IP65 / IP67	Data	Signal	Power	high performance			
				Data transfer rate	Shielding	Number of contacts, contact density	Voltage, working current			
Cable termination			PCB termination			Application standard				
Han-Quick Lock®	IDC	Crimp	THT	SMC	SMT	SCSI				
Screw	Cage clamp / PushIn	Axial screw	Press-in	Housing integration						
				Separate housing	Integrated housing					

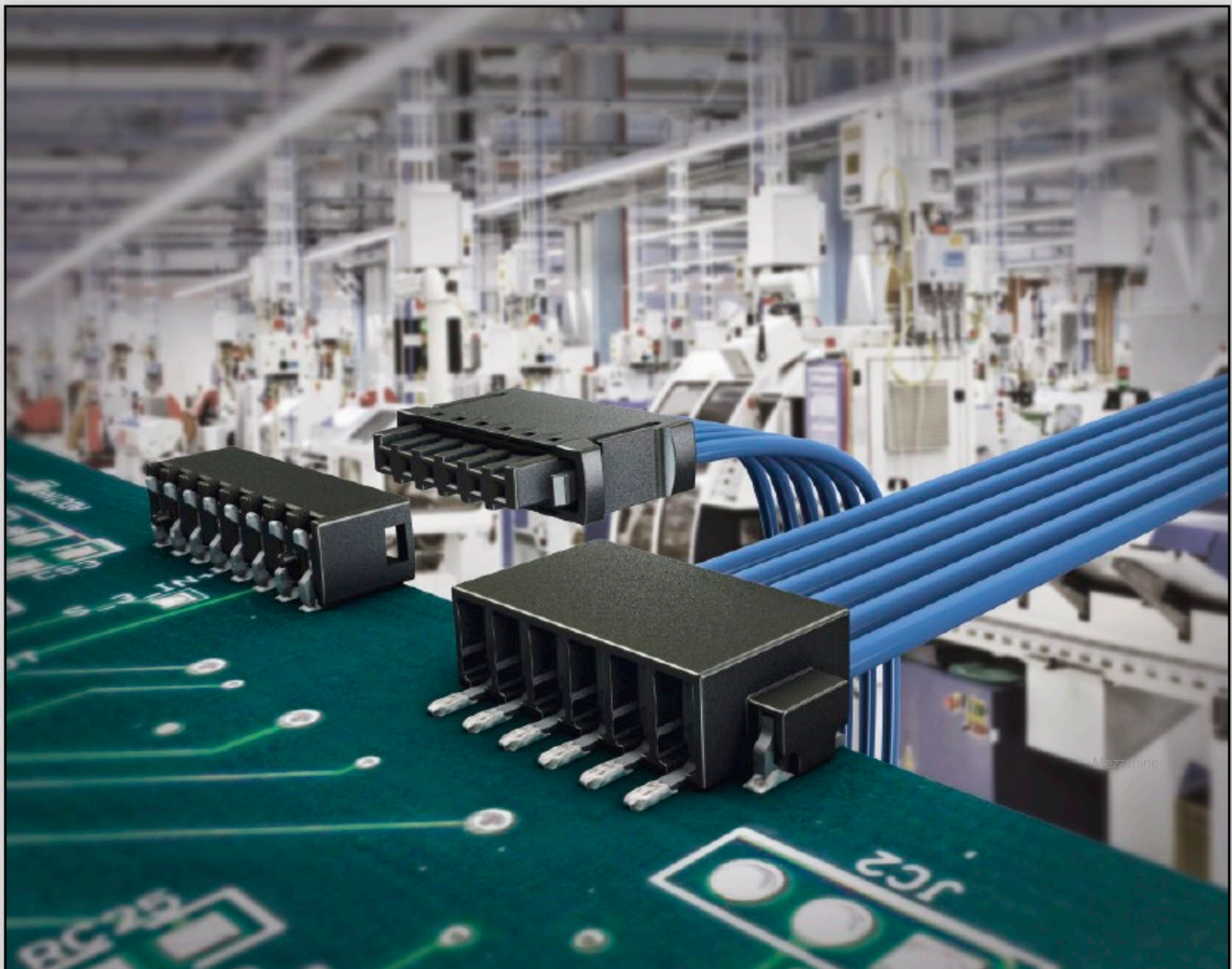
Contents

	Page
<i>har-flexicon</i> ® connector system – introduction	15.02
Pitches 1.27 mm / 2.54 mm	
PCB connectors female with IDC termination	15.04
PCB terminal blocks with push-in-spring-cage termination	15.06
PCB connectors female with push-in-spring-cage termination	15.08
PCB connectors male	15.10
Pitches 3.50 mm / 3.81 mm	
PCB terminal blocks with push-in-spring-cage termination	15.12
PCB terminal blocks with screw termination	15.14
PCB connectors female with push-in-spring-cage termination	15.16
PCB connectors female with screw termination	15.20
PCB connectors male	15.22
Pitches 5.00 mm / 5.08 mm	
PCB terminal blocks with push-in-spring-cage termination	15.28
PCB terminal blocks with screw termination	15.32
PCB connectors female with push-in-spring-cage termination	15.36
PCB connectors female with screw termination	15.40
PCB connectors male	15.42
Pitches 10.16 mm / 15.00 mm	
PCB terminal blocks with screw termination	15.48

har-flexicon® CONNECTORS

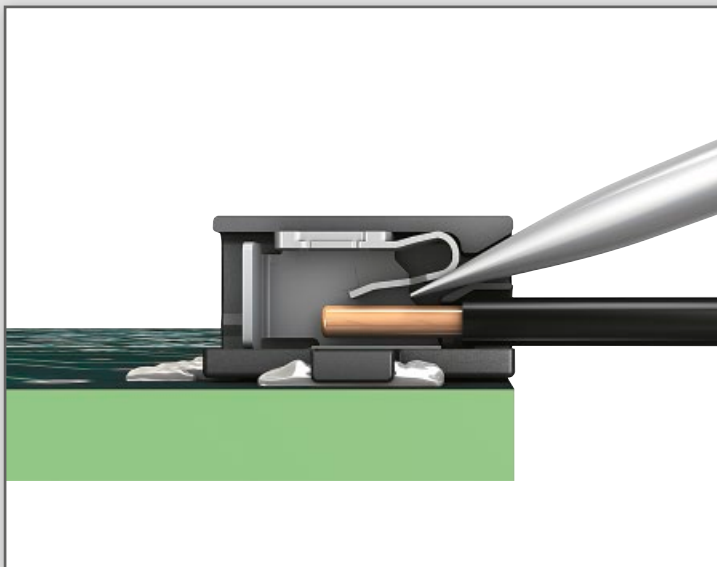
Innovative device connectivity technology for all lifelines of industrial devices - it routes power, data and signals through the side of the device to the PCB.

HARTING *har-flexicon*® in the pitches 1.27 mm and 2.54 mm is the miniature SMD connector for the rapid connection of single wires and provides a perfect link between the periphery and PCBs in industrial devices. HARTING is thereby continuing along the path already taken with the *har-flex*® of rethinking and methodically optimizing device connectivity technology.



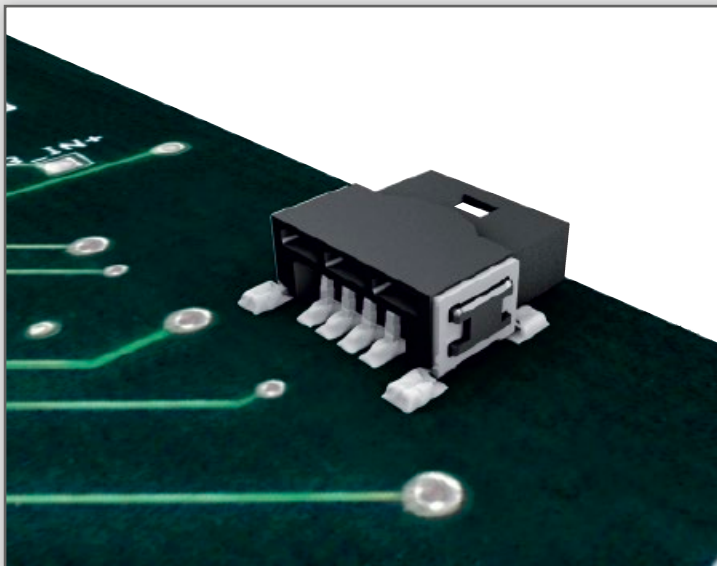
RAPID CONNECTION OF INDIVIDUAL WIRES

har-flexicon® is very easy and quick to use for the smallest of designs. This, in conjunction with a precise cable manager, is what the IDC and the push-in spring-cage termination technology guarantees.



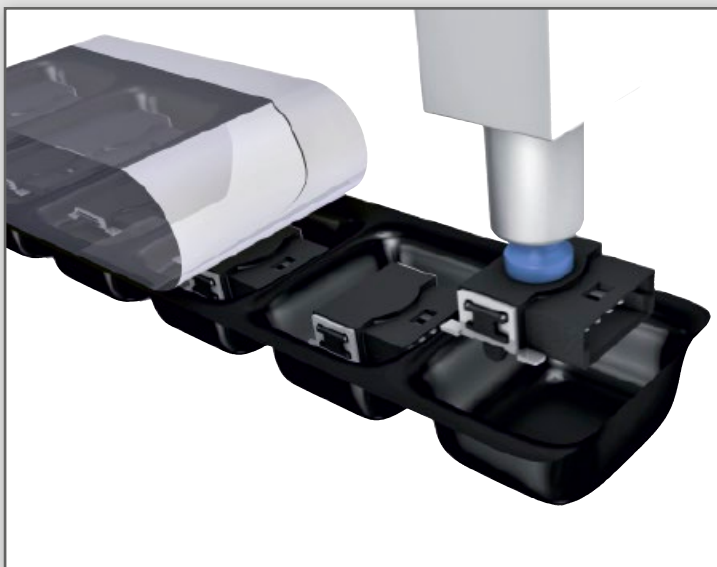
ROBUST SMD DESIGN

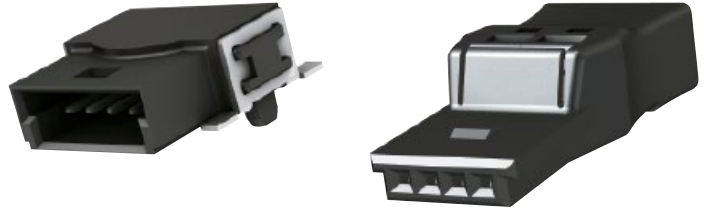
The large-area SMT fixings of *har-flexicon*® provide a sturdy connection to the PCB. Insertion and withdrawal forces can be absorbed in order to take the pressure off solder contacts on the connection side.



FULLY AUTOMATIC PROCESSING

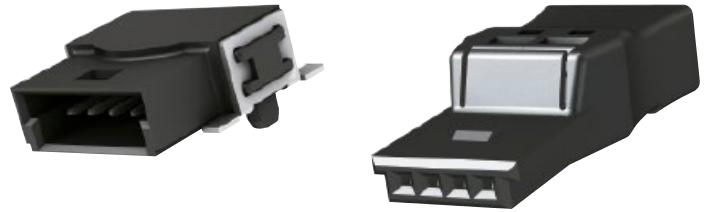
The use of reflow and SMD-solderable components in automated mount and soldering processes simplifies, and hence optimizes, the production of PCBs.





PCB connectors with IDC termination
for SMT reflow soldering
pitch 1.27 mm

Identification	No. of contacts	Part number	Packaging unit (pieces)
PCB connectors with IDC termination			
Female	4	14 31 041 0301 000	50
Male	4	14 11 041 0002 ...	560
Screw driver, 1.5 x 40		14 99 000 0002	



PCB connectors with IDC termination
for SMT reflow soldering
pitch 1.27 mm

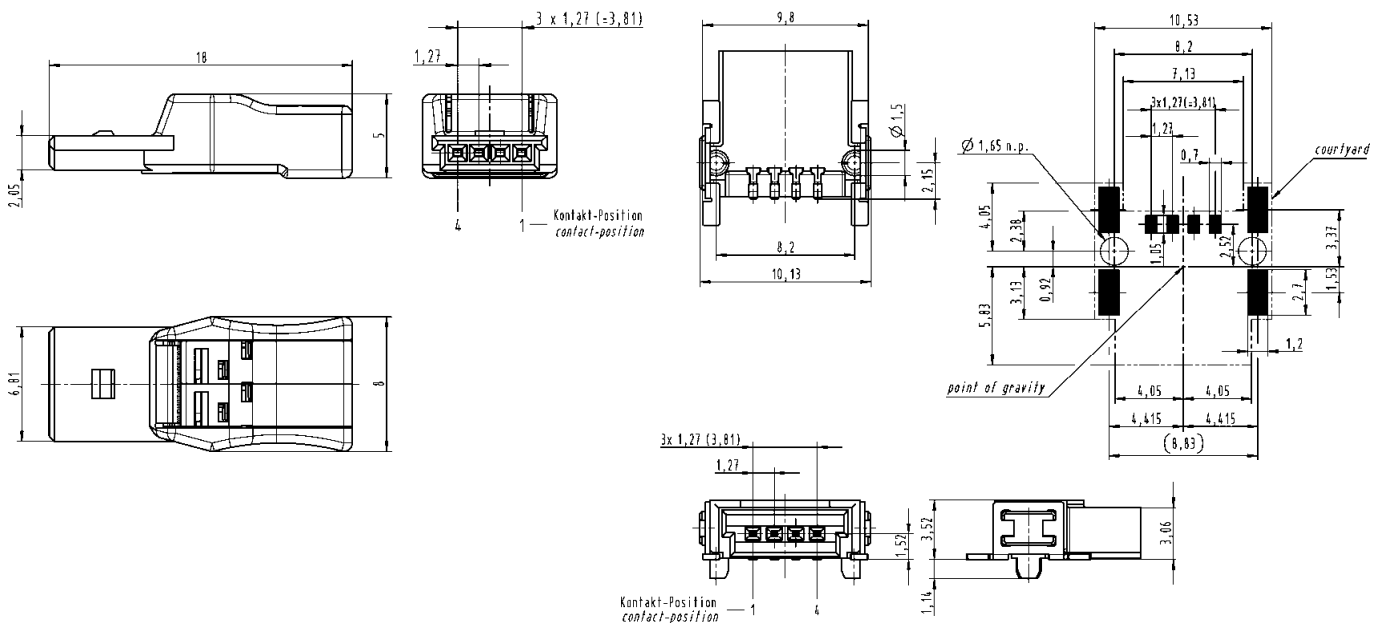
Drawing

Dimensions in mm

Dimensions

female

male



Technical characteristics

Technical data

Rated current	2 A
Pitch	1.27 mm

Surge voltage category / pollution degree	III/3	III/2	II/2
Rated voltage	–	–	16 V
Rated surge voltage	–	–	0.5 kV

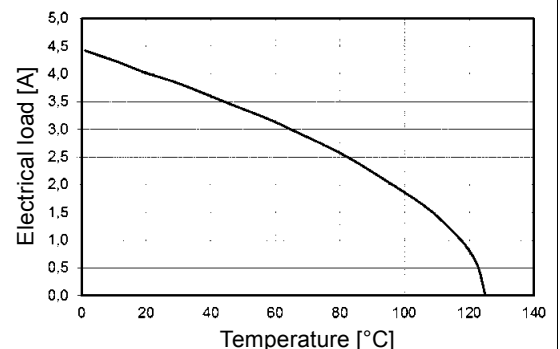
Material data

Group of insulation material	III a
Type of insulation material	LCP
Flammability rating per UL 94	V0
Operating temperature	-40 °C ... +125 °C
Contact material	Copper alloy
Contact plating	Nickel plated
	UL approval (E 102079)

Conductor data

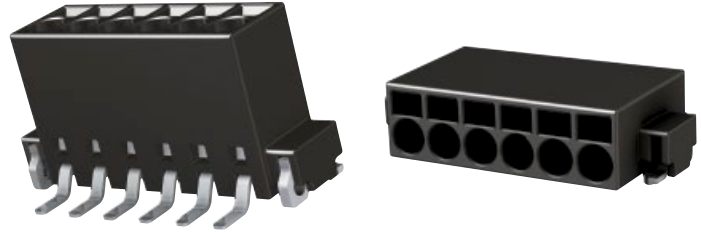
Connection technology wire	IDC termination
Conductor size solid / stranded	– / 0.05 - 0.14 mm ²
Conductor size AWG	28 - 26
Stripping length	0 mm
Conductor diameter	max. 1 mm

Derating



Tested with AWG 26/19

PCB terminal blocks,
vertical/horizontal
with push-in-spring-cage termination
for SMT reflow soldering
pitch 2.54 mm

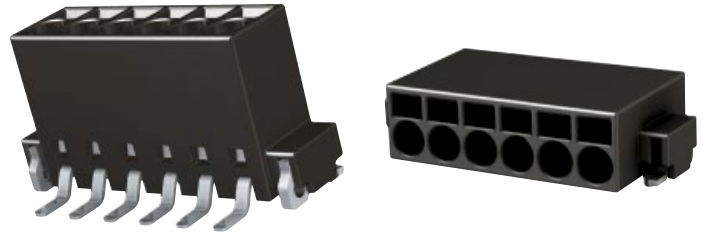


Identification	No. of contacts	Part number	Packaging unit (pieces)
PCB terminal blocks, vertical/horizontal with push-in-spring-cage termination			vertical / horizontal
	2	14 01 021 310	250 / 500
	3	14 01 031 310	250 / 500
	4	14 01 041 310	250 / 500
	5	14 01 051 310	250 / 500
	6	14 01 061 310	250 / 500
	7	14 01 071 310	250 / 500
	8	14 01 081 310	250 / 500
	9	14 01 091 310	250 / 500
	10	14 01 101 310	250 / 500
	11	14 01 111 310	250 / 500
	12	14 01 121 310	250 / 500

Please insert digit for

- vertical ▶ 1
- horizontal ▶ 2

PCB terminal blocks,
vertical/horizontal
with push-in-spring-cage termination
for SMT reflow soldering
pitch 2.54 mm



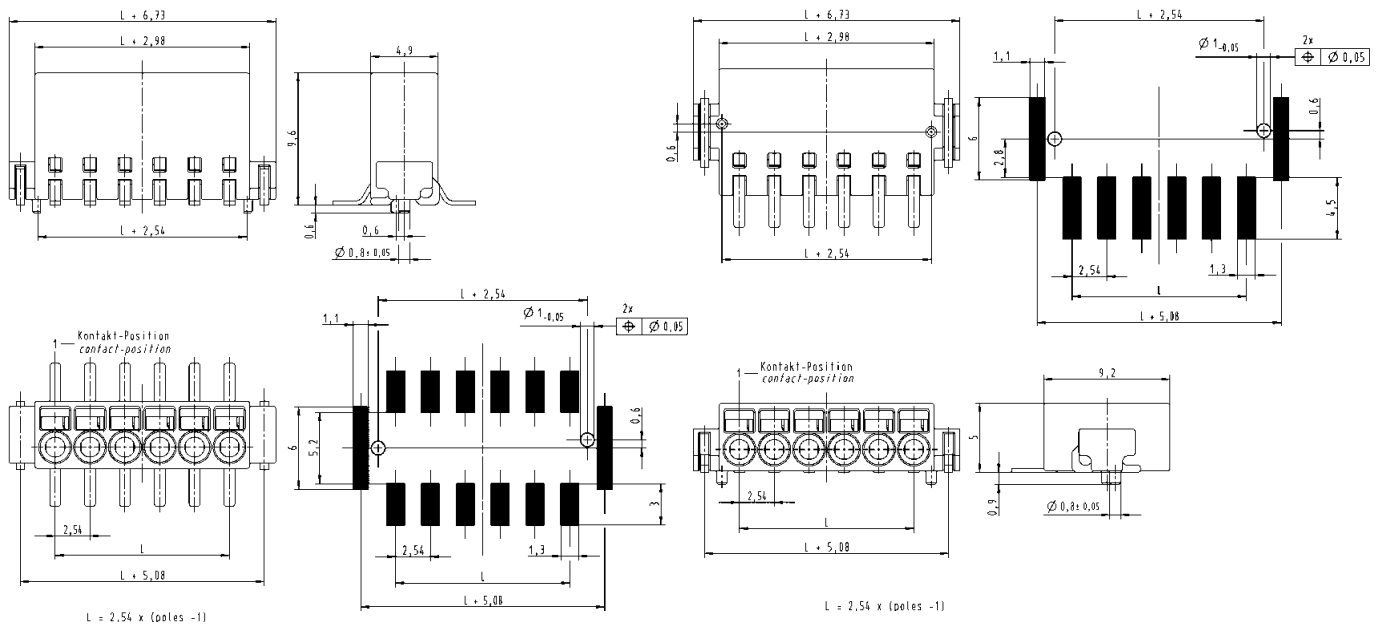
Drawing

Dimensions in mm

Dimensions

vertical

horizontal



Technical characteristics

Technical data

Rated current 6 A
Pitch 2.54 mm

Surge voltage category /
pollution degree

III/3	III/2	II/2
32 V	160 V	160 V
2.5 kV	2.5 kV	2.5 kV

Rated voltage

Rated surge voltage

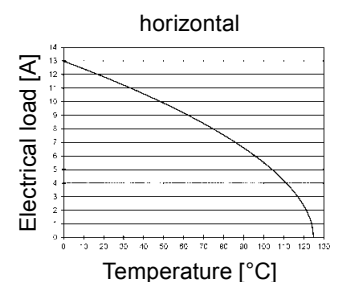
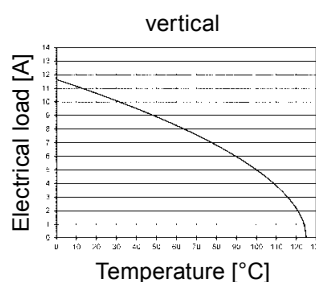
Material data

Group of insulation material III a
Type of insulation material LCP
Flammability rating per UL 94 V0
Operating temperature -40 °C ... +125 °C
Contact material copper alloy
Contact plating tin plated
 UL approval (E 102079)

Conductor data

Connection technology wire push-in-spring-cage termination
Conductor size solid / stranded 0.14 - 0.5 / 0.2 - 0.5 mm²
stranded with ferrules 0.25 - 0.34 mm²
without plastic sleeve
Conductor size AWG 24 - 20
Stripping length 6 mm

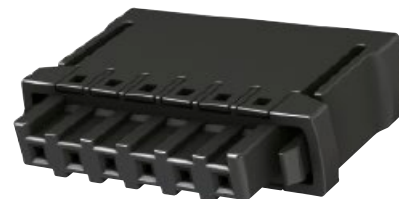
Derating



Tested with AWG 20

Tested with AWG 20

PCB connectors female,
vertical
with push-in-spring-cage termination
pitch 2.54 mm



Identification	No. of contacts	Part number	Packaging unit (pieces)
PCB connectors female, vertical with push-in-spring-cage termination			
	2	14 31 021 3101 000	100
	3	14 31 031 3101 000	100
	4	14 31 041 3101 000	100
	5	14 31 051 3101 000	75
	6	14 31 061 3101 000	75
	7	14 31 071 3101 000	75
	8	14 31 081 3101 000	50
	9	14 31 091 3101 000	50
	10	14 31 101 3101 000	50
	11	14 31 111 3101 000	25
	12	14 31 121 3101 000	25

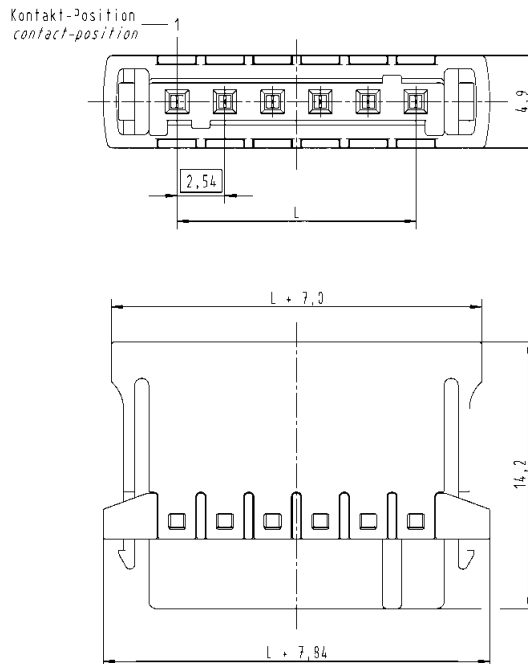
PCB connectors female,
vertical
with push-in-spring-cage termination
pitch 2.54 mm



Drawing

Dimensions in mm

Dimensions



L = pitch x (poles - 1)

Technical characteristics

Technical data

Rated current 6 A
Pitch 2.54 mm

Surge voltage category /
pollution degree

	III/3	III/2	II/2
Rated voltage	32 V	160 V	160 V
Rated surge voltage	2.5 kV	2.5 kV	2.5 kV

Rated voltage

Rated surge voltage

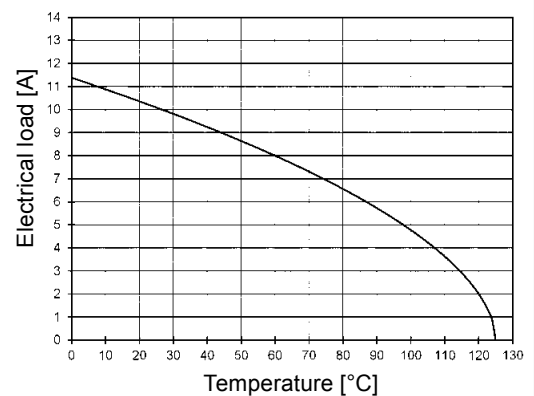
Material data

Group of insulation material III a
Type of insulation material LCP
Flammability rating per UL 94 V0
Operating temperature -40 °C ... +125 °C
Contact material copper alloy
Contact plating tin plated
 UL approval (E 102079)

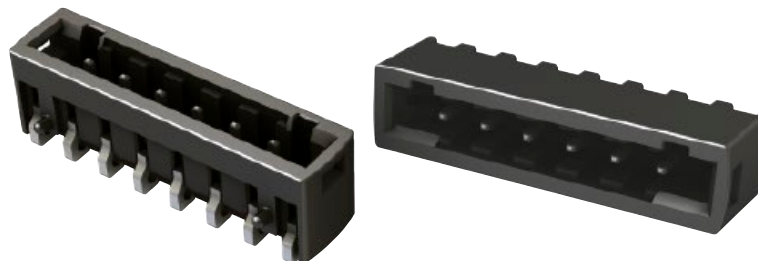
Conductor data

Connection technology wire push-in-spring-cage termination
Conductor size solid / stranded 0.14 - 0.5 / 0.2 - 0.5 mm²
stranded with ferrules 0.25 - 0.34 mm²
without plastic sleeve
Conductor size AWG 24 - 20
Stripping length 6 mm

Derating



Tested
with AWG 20



PCB connectors male,
vertical/horizontal
for SMT reflow soldering
pitch 2.54 mm

Identification	No. of contacts	Part number	Packaging unit (pieces)
PCB connectors male, vertical/horizontal			vertical / horizontal
	2	14 11 021 300	500 / 600
	3	14 11 031 300	500 / 600
	4	14 11 041 300	500 / 600
	5	14 11 051 300	500 / 600
	6	14 11 061 300	500 / 600
	7	14 11 071 300	500 / 600
	8	14 11 081 300	500 / 600
	9	14 11 091 300	500 / 600
	10	14 11 101 300	500 / 600
	11	14 11 111 300	500 / 600
	12	14 11 121 300	500 / 600

Please insert digit for

- vertical ▶ 1
- horizontal ▶ 2

PCB connectors male, vertical/horizontal for SMT reflow soldering pitch 2.54 mm



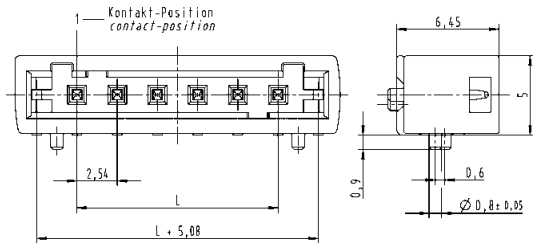
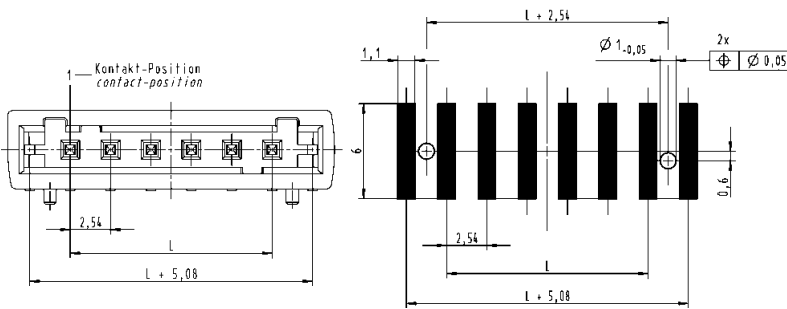
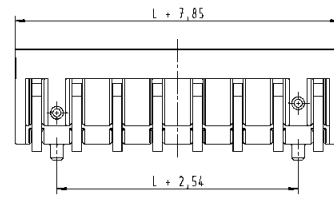
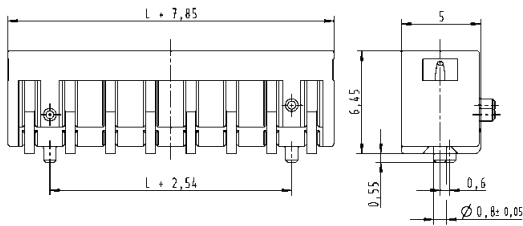
Drawing

Dimensions in mm

Dimensions

vertical

horizontal



L = pitch x (poles - 1)

Technical characteristics

Technical data

Rated current 6 A
Pitch 2.54 mm

Surge voltage category / pollution degree

Rated voltage

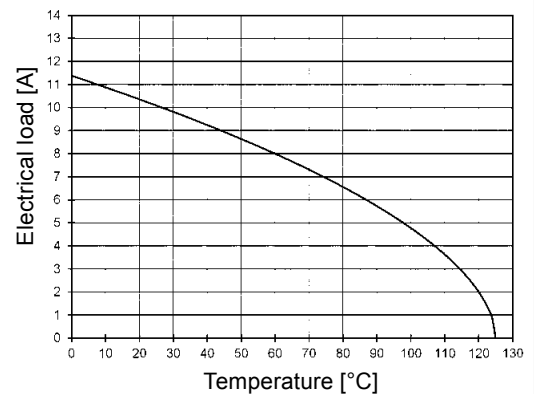
Rated surge voltage

	III/3	III/2	II/2
Rated voltage	32 V	160 V	160 V
Rated surge voltage	2.5 kV	2.5 kV	2.5 kV

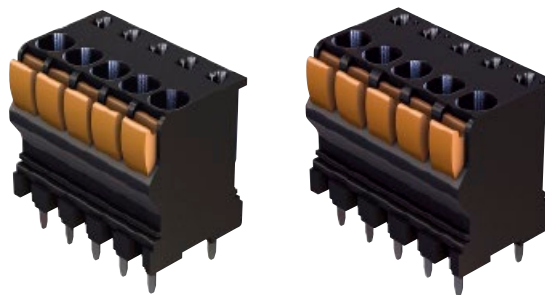
Material data

Group of insulation material III a
Type of insulation material LCP
Flammability rating per UL 94 V0
Operating temperature -40 °C ... +125 °C
Contact material copper alloy
Contact plating tin plated
UL approval (E 102079)

Derating



Tested with AWG 20



PCB terminal blocks,
vertical with push-in-spring-cage termination
for reflow soldering
pitch 3.50 / 3.81 mm

Identification	No. of contacts	Part number	Packaging unit (pieces)
----------------	-----------------	-------------	-------------------------

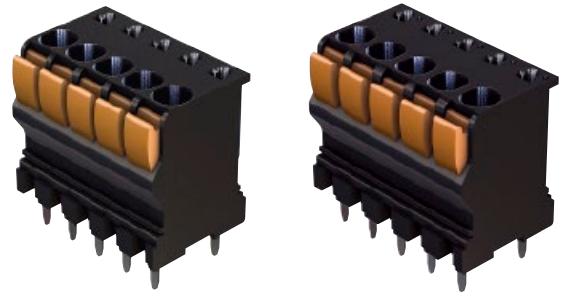
PCB terminal blocks,
vertical with push-in-spring-cage
termination

2	14 02 021 . 101 . . .	100
3	14 02 031 . 101 . . .	100
4	14 02 041 . 101 . . .	75
5	14 02 051 . 101 . . .	75
6	14 02 061 . 101 . . .	50
7	14 02 071 . 101 . . .	50
8	14 02 081 . 101 . . .	50
9	14 02 091 . 101 . . .	50
10	14 02 101 . 101 . . .	50
11	14 02 111 . 101 . . .	50
12	14 02 121 . 101 . . .	50
13	14 02 131 . 101 . . .	50
14	14 02 141 . 101 . . .	50
15	14 02 151 . 101 . . .	50
16	14 02 161 . 101 . . .	50

Please insert digit for

- pitch 3.50 mm ▶ 4
- pitch 3.81 mm ▶ 5

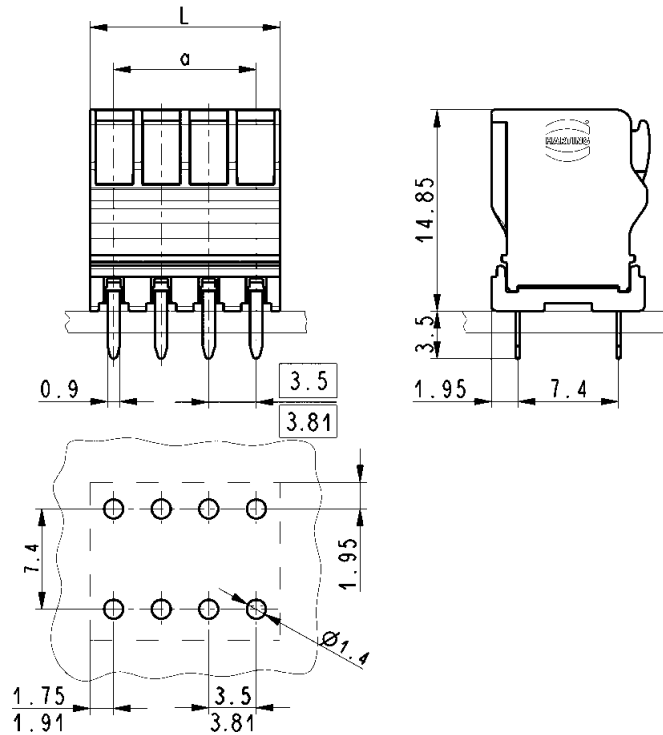
PCB terminal blocks,
vertical with push-in-spring-cage
termination for reflow soldering
pitch 3.50 / 3.81 mm



Drawing

Dimensions in mm

Dimensions



L = pitch x poles
a = pitch x (poles - 1)

Technical characteristics

Technical data

Rated current 10 A
Pitch 3.50 mm / 3.81 mm

Surge voltage category /
pollution degree

III/3	III/2	II/2
220 V	300 V	600 V
4 kV	4 kV	4 kV

Rated voltage

Rated surge voltage

Material data

Group of insulation material I
Type of insulation material PA / PPA
Flammability rating per UL 94 V0
Operating temperature -40 °C ... +110 °C
Contact material copper alloy
Contact plating tin plated
UL approval (E 102079)



Conductor and solder pin data

Connection technology wire push-in-spring-cage
termination
Conductor size solid / stranded 0.14 - 1.5 / 0.14 - 1.5 mm²
stranded with ferrules 0.50 - 1.5 / 0.10 - 1.5 mm²
without / with plastic sleeve
Conductor size AWG 30 - 16
Stripping length 9 - 10 mm
Solder pin: drilled hole diameter 1.4 mm

Approval data (UL)

Use group	B	C	D
Rated voltage	300 V	-	300 V
Rated current	10 A	-	10 A

PCB terminal blocks,
horizontal with screw termination
for reflow soldering
pitch 3.50 / 3.81 mm



Identification	No. of contacts	Part number	Packaging unit (pieces)
PCB terminal blocks, horizontal with screw termination			
	2	14 02 021 . 402 ...	100
	3	14 02 031 . 402 ...	100
	4	14 02 041 . 402 ...	75
	5	14 02 051 . 402 ...	75
	6	14 02 061 . 402 ...	50
	7	14 02 071 . 402 ...	50
	8	14 02 081 . 402 ...	50
	9	14 02 091 . 402 ...	50
	10	14 02 101 . 402 ...	50
	11	14 02 111 . 402 ...	50
	12	14 02 121 . 402 ...	50

Please insert digit for

- pitch 3.50 mm ▶ 4
- pitch 3.81 mm ▶ 5

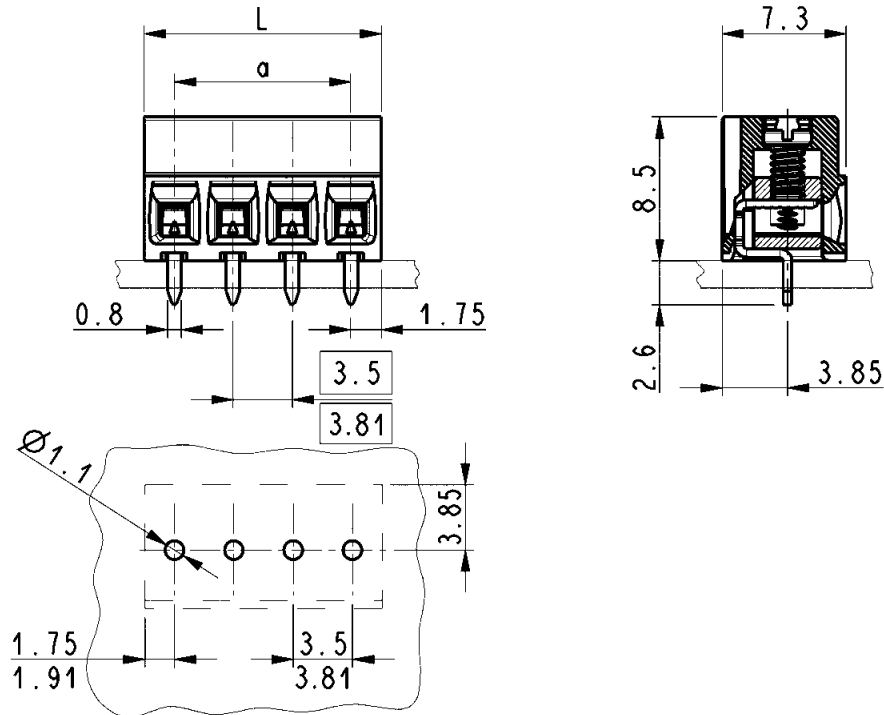
PCB terminal blocks,
horizontal with screw termination
for reflow soldering
pitch 3.50 / 3.81 mm



Drawing

Dimensions in mm

Dimensions



L = pitch x poles
a = pitch x (poles - 1)

Technical characteristics

Technical data

Rated current 12 A
Pitch 3.50 mm / 3.81 mm

Surge voltage category /
pollution degree

III/3	III/2	II/2
150 V	150 V	300 V
2.5 kV	2.5 kV	2.5 kV

Rated voltage

Rated surge voltage

Material data

Group of insulation material I
Type of insulation material PA / PPA
Flammability rating per UL 94 V0
Operating temperature -40 °C ... +110 °C
Contact material copper alloy
Contact plating tin plated
UL approval (E 102079)

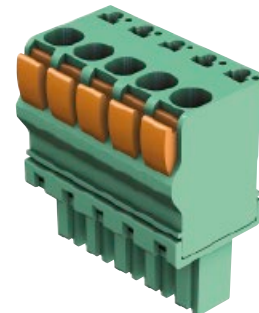
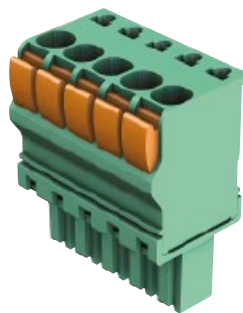


Conductor and solder pin data

Connection technology wire screw termination
Conductor size solid / stranded 0.05 - 1.5 / 0.05 - 1 mm²
stranded with ferrules without / with plastic sleeve 0.50 - 1 / 0.10 - 1 mm²
Conductor size AWG 28 - 16
Screw thread M2
Tightening torque 0.2 - 0,25 Nm
Stripping length 5 - 6 mm
Solder pin: drilled hole diameter 1.1 mm

Approval data (UL)

Use group	B	C	D
Rated voltage	300 V	-	300 V
Rated current	12 A	-	12 A

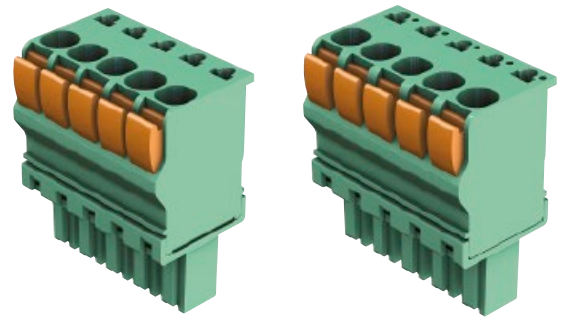


PCB connectors female,
horizontal
with push-in-spring-cage termination
pitch 3.50 / 3.81 mm

Identification	No. of contacts	Part number	Packaging unit (pieces)
PCB connectors female, horizontal with push-in-spring-cage termination	2	14 31 021 . 102 000	300
	3	14 31 031 . 102 000	200
	4	14 31 041 . 102 000	150
	5	14 31 051 . 102 000	150
	6	14 31 061 . 102 000	100
	7	14 31 071 . 102 000	100
	8	14 31 081 . 102 000	100
	9	14 31 091 . 102 000	100
	10	14 31 101 . 102 000	100
	11	14 31 111 . 102 000	100
	12	14 31 121 . 102 000	100
	13	14 31 131 . 102 000	50
	14	14 31 141 . 102 000	50
	15	14 31 151 . 102 000	50
	16	14 31 161 . 102 000	50
	17	14 31 171 . 102 000	50
	18	14 31 181 . 102 000	50
	19	14 31 191 . 102 000	50
	20	14 31 201 . 102 000	50
	21*	14 31 211 . 102 000	25
	22*	14 31 221 . 102 000	25
	23*	14 31 231 . 102 000	25
	24*	14 31 241 . 102 000	25
	25*	14 31 251 . 102 000	25
	Please insert digit for		
	pitch 3.50 mm ▶ 4		
	pitch 3.81 mm ▶ 5		
15	Coding keys	14 95 000 0050 000	120
16			

* Pitch 3.50 mm only available with 2-20 contacts

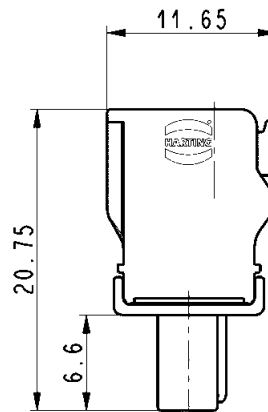
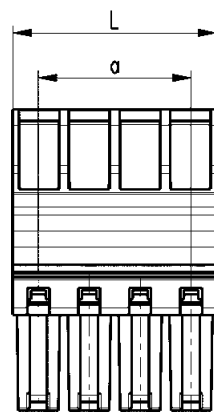
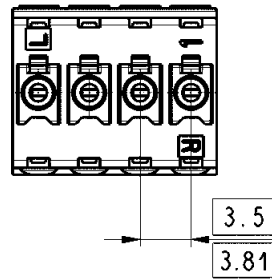
PCB connectors female,
horizontal
with push-in-spring-cage termination
pitch 3.50 / 3.81 mm



Drawing

Dimensions in mm

Dimensions



L = pitch x poles
a = pitch x (poles - 1)

Technical characteristics

Technical data

Rated current 11 A
Pitch 3.50 mm / 3.81 mm

Surge voltage category /
pollution degree

III/3	III/2	II/2
150 V	150 V	300 V
2.5 kV	2.5 kV	2.5 kV

Rated voltage

Rated surge voltage

Material data

Group of insulation material I
Type of insulation material PA / PPA
Flammability rating per UL 94 V0
Operating temperature -40 °C ... +110 °C
Contact material copper alloy
Contact plating tin plated
UL approval (E 102079)



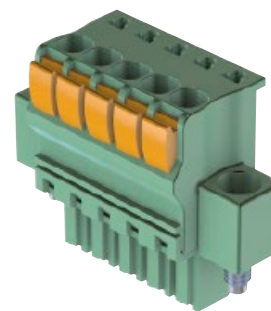
Conductor data

Connection technology wire push-in-spring-cage termination
Conductor size solid / stranded 0.14 - 1.5 / 0.14 - 1.5 mm²
stranded with ferrules without / with plastic sleeve 0.50 - 1.5 / 0.10 - 1.5 mm²
Conductor size AWG 30 - 14
Stripping length 9 - 10 mm

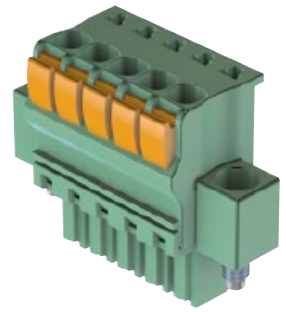
Approval data (UL)

Use group	B	C	D
Rated voltage	300 V	-	-
Rated current	solid	9 A	-
	stranded	11 A	-

PCB connectors female with screw flange,
horizontal
with push-in-spring-cage termination
pitch 3.50 / 3.81 mm



Identification	No. of contacts	Part number	Packaging unit (pieces)
PCB connectors female with screw flange, horizontal with push-in-spring-cage termination	2	14 31 021 . 106 000	300
	3	14 31 031 . 106 000	200
	4	14 31 041 . 106 000	150
	5	14 31 051 . 106 000	150
	6	14 31 061 . 106 000	100
	7	14 31 071 . 106 000	100
	8	14 31 081 . 106 000	100
	9	14 31 091 . 106 000	100
	10	14 31 101 . 106 000	100
	11	14 31 111 . 106 000	100
	12	14 31 121 . 106 000	100
	13	14 31 131 . 106 000	50
	14	14 31 141 . 106 000	50
	15	14 31 151 . 106 000	50
	16	14 31 161 . 106 000	50
	17	14 31 171 . 106 000	50
	18	14 31 181 . 106 000	50
	19	14 31 191 . 106 000	50
	20	14 31 201 . 106 000	50
	21	14 31 211 . 106 000	50
	22	14 31 221 . 106 000	50
	Please insert digit for pitch 3.50 mm ► 4 pitch 3.81 mm ► 5		
15 18 Coding keys		14 95 000 0050 000	120

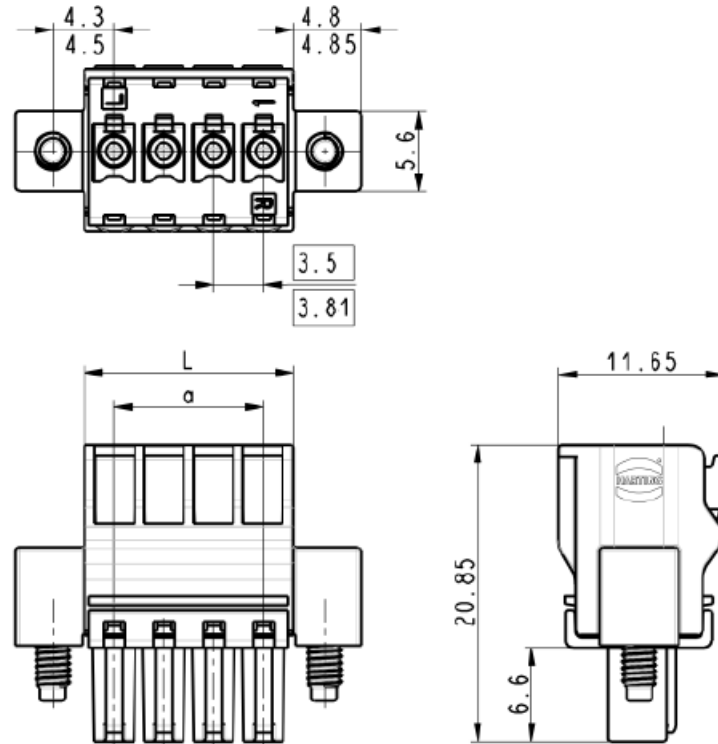


PCB connectors female with screw flange,
horizontal
with push-in-spring-cage termination
pitch 3.50 / 3.81 mm

Drawing

Dimensions in mm

Dimensions



L = (pitch x poles) + 0.7 mm
a = pitch x (poles - 1)

Technical characteristics

Technical data

Rated current 11 A
Pitch 3.50 mm / 3.81 mm

Surge voltage category /
pollution degree

Rated voltage
Rated surge voltage

	III/3	III/2	II/2
Rated voltage	150 V	150 V	300 V
Rated surge voltage	2.5 kV	2.5 kV	2.5 kV

Material data

Group of insulation material I
Type of insulation material PA / PPA
Flammability rating per UL 94 V0
Operating temperature -40 °C ... +110 °C
Contact material copper alloy
Contact plating tin plated
 UL approval (E 102079)
Screw flange M2.5

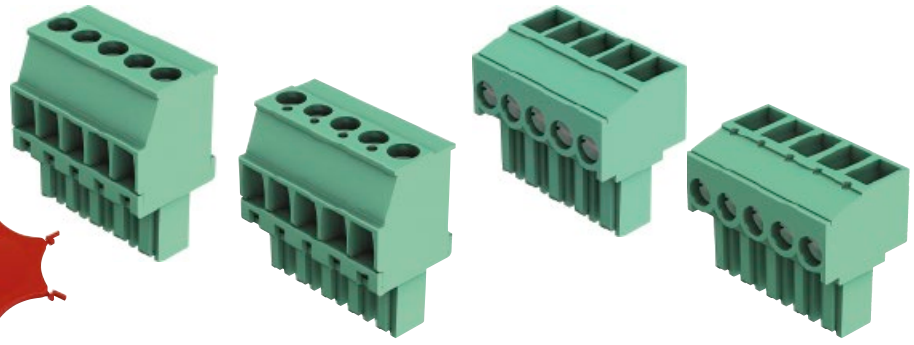
Conductor data

Connection technology wire push-in-spring-cage
termination
Conductor size solid / stranded 0.14 - 1.5 / 0.14 - 1.5 mm²
stranded with ferrules
without / with plastic sleeve 0.50 - 1.5 / 0.10 - 1.5 mm²
Conductor size AWG 30 - 14
Stripping length 9 - 10 mm

Approval data (UL)

Use group	B	C	D
Rated voltage	300 V	-	-
Rated current	solid	9 A	-
	stranded	11 A	-

PCB connectors female,
vertical/horizontal
with screw termination
pitch 3.50 / 3.81 mm

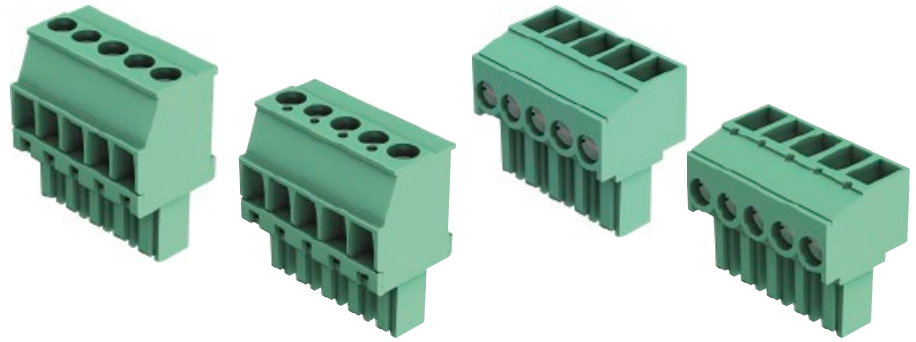


Identification	No. of contacts	Part number	Packaging unit (pieces)
PCB connectors female, vertical/horizontal with screw termination	2	14 31 021 . 40 . 000	300
	3	14 31 031 . 40 . 000	200
	4	14 31 041 . 40 . 000	150
	5	14 31 051 . 40 . 000	150
	6	14 31 061 . 40 . 000	100
	7	14 31 071 . 40 . 000	100
	8	14 31 081 . 40 . 000	100
	9	14 31 091 . 40 . 000	100
	10	14 31 101 . 40 . 000	100
	11	14 31 111 . 40 . 000	100
	12	14 31 121 . 40 . 000	100
	13	14 31 131 . 40 . 000	50
	14	14 31 141 . 40 . 000	50
	15	14 31 151 . 40 . 000	50
	16	14 31 161 . 40 . 000	50
	17*	14 31 171 . 40 . 000	50
	18*	14 31 181 . 40 . 000	50
	19*	14 31 191 . 40 . 000	50
	20*	14 31 201 . 40 . 000	50
	21*	14 31 211 . 40 . 000	25
	22*	14 31 221 . 40 . 000	25
	23*	14 31 231 . 40 . 000	25
	24*	14 31 241 . 40 . 000	25
	25*	14 31 251 . 40 . 000	25
	Please insert digit for		
pitch 3.50 mm ▶	4		
pitch 3.81 mm ▶	5		
vertical ▶	1		
horizontal ▶	2		
Coding keys		14 95 000 0050 000	120

har-flexicon

* Pitch 3.81 mm (vertical) only available with 2-16 contacts

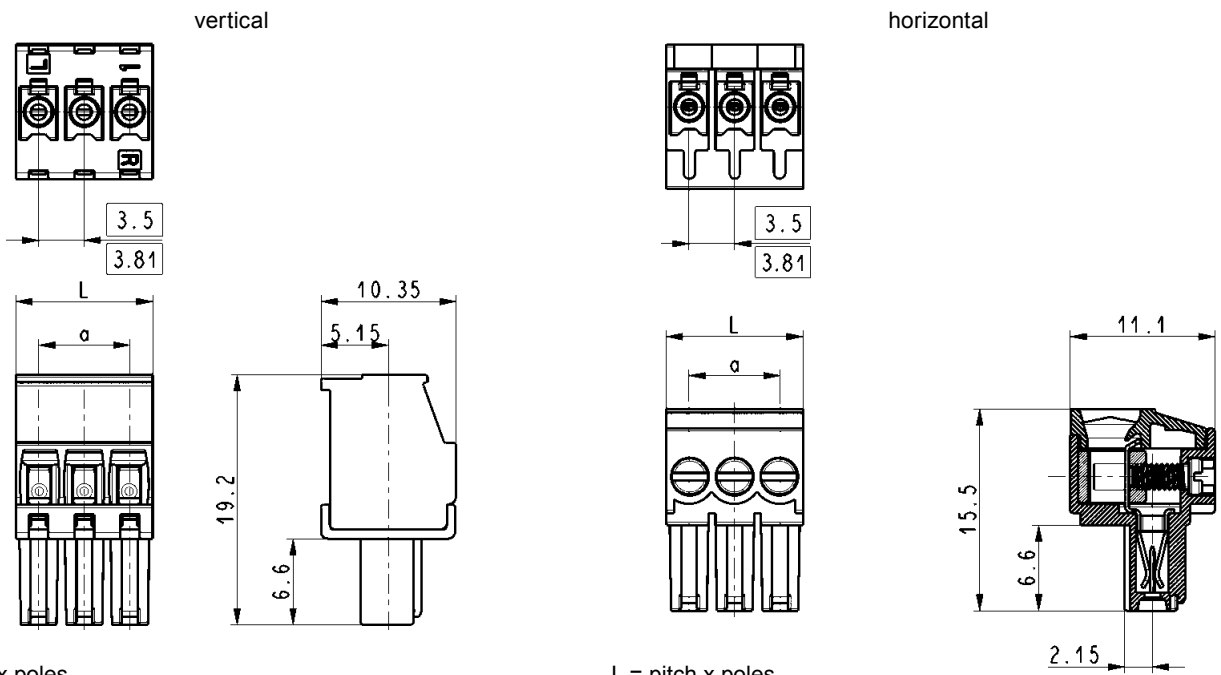
PCB connectors female, vertical/horizontal with screw termination pitch 3.50 / 3.81 mm



Drawing

Dimensions in mm

Dimensions



L = pitch x poles
a = pitch x (poles - 1)

L = pitch x poles
a = pitch x (poles - 1)

Technical characteristics

Technical data

Rated current 10 A
Pitch 3.50 mm / 3.81 mm

Surge voltage category / pollution degree	III/3	III/2	II/2
Rated voltage	150 V	150 V	300 V
Rated surge voltage	2.5 kV	2.5 kV	2.5 kV

Conductor data

Connection technology wire screw termination
Conductor size solid / stranded 0.05 - 1.5 / 0.05 - 1 mm²
stranded with ferrules without / with plastic sleeve 0.50 - 1 / 0.10 - 1 mm²
Conductor size AWG 30 - 14
Screw thread M2
Tightening torque 0.2 - 0.25 Nm
Stripping length 5.0 - 6.0 mm

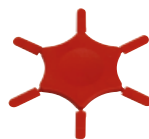
Material data

Group of insulation material I
Type of insulation material PA / PPA
Flammability rating per UL 94 V0
Operating temperature -40 °C ... +110 °C
Contact material copper alloy
Contact plating tin plated
UL approval (E 102079)

Approval data (UL)

Use group		B	C	D
Rated voltage		300 V	–	300 V
Rated current	vertical	10 A	–	10 A
	horizontal	11 A	–	11 A

PCB connectors male,
vertical
for wave soldering
pitch 3.50 mm



Identification	No. of contacts	Part number	Packaging unit (pieces)
Connectors, male, vertical			
	2	14 13 021 4001 000	100
	3	14 13 031 4001 000	100
	4	14 13 041 4001 000	75
	5	14 13 051 4001 000	75
	6	14 13 061 4001 000	50
	7	14 13 071 4001 000	50
	8	14 13 081 4001 000	50
	9	14 13 091 4001 000	50
	10	14 13 101 4001 000	50
	11	14 13 111 4001 000	50
	12	14 13 121 4001 000	50
Coding keys		14 95 000 0052 000	120

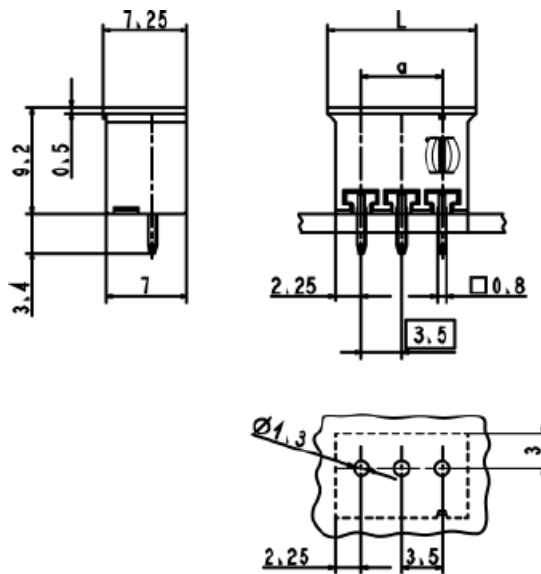


PCB connectors male,
vertical
for wave soldering
pitch 3.50 mm

Drawing

Dimensions in mm

Dimensions



$L = (\text{pitch} \times \text{poles}) + 2.3 \text{ mm}$
 $a = \text{pitch} \times (\text{poles} - 1)$

Technical characteristics

Technical data

Rated current 11 A
 Pitch 3.50 mm

Surge voltage category /
 pollution degree

Rated voltage

Rated surge voltage

III/3	III/2	II/2
150 V	150 V	300 V
2.5 kV	2.5 kV	2.5 kV

Material data

Group of insulation material I
 Type of insulation material PA
 Flammability rating per UL 94 V0
 Operating temperature -40 °C ... +110 °C
 Contact material copper alloy
 Contact plating tin plated
 UL approval (E 102079)



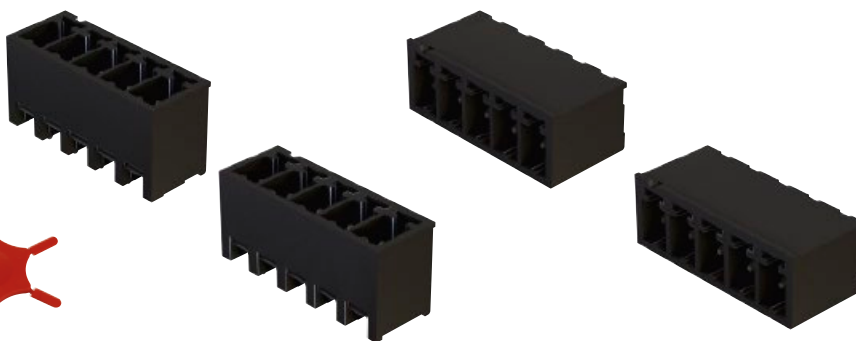
Solder pin data

Solder pin: drilled hole diameter 1.3 mm

Approval data (UL)

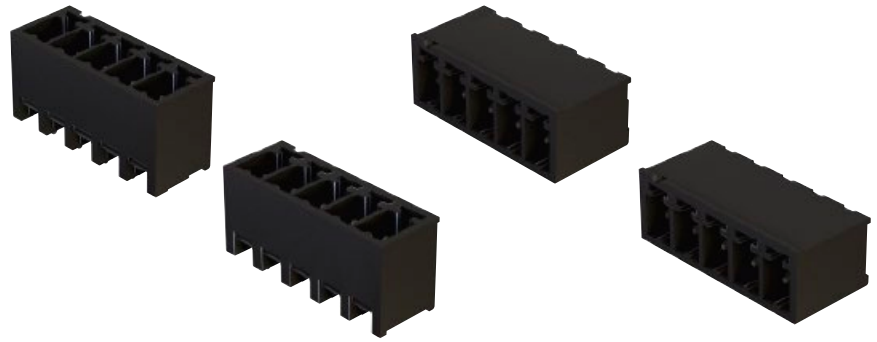
Use group	B	C	D
Rated voltage	300 V	–	300 V
Rated current	11 A	–	11 A

PCB connectors male,
vertical/horizontal
for reflow soldering
pitch 3.50 / 3.81 mm



Identification	No. of contacts	Part number	Packaging unit (pieces)
Connectors, male, vertical/horizontal			
	2	14 12 021 . 00	100
	3	14 12 031 . 00	100
	4	14 12 041 . 00	75
	5	14 12 051 . 00	75
	6	14 12 061 . 00	50
	7	14 12 071 . 00	50
	8	14 12 081 . 00	50
	9	14 12 091 . 00	50
	10	14 12 101 . 00	50
	11	14 12 111 . 00	50
	12	14 12 121 . 00	50
	13	14 12 131 . 00	50
	14	14 12 141 . 00	50
	15	14 12 151 . 00	50
	16	14 12 161 . 00	50
	17	14 12 171 . 00	50
	18	14 12 181 . 00	50
	19	14 12 191 . 00	50
	20	14 12 201 . 00	50
	21	14 12 211 . 00	25
	22	14 12 221 . 00	25
	23	14 12 231 . 00	25
	24	14 12 241 . 00	25
	25	14 12 251 . 00	25
Please insert digit for			
pitch 3.50 mm ▶	4		
pitch 3.81 mm ▶	5		
vertical ▶	1		
horizontal ▶	2		
Coding keys		14 95 000 0052 000	120

har-flexicon

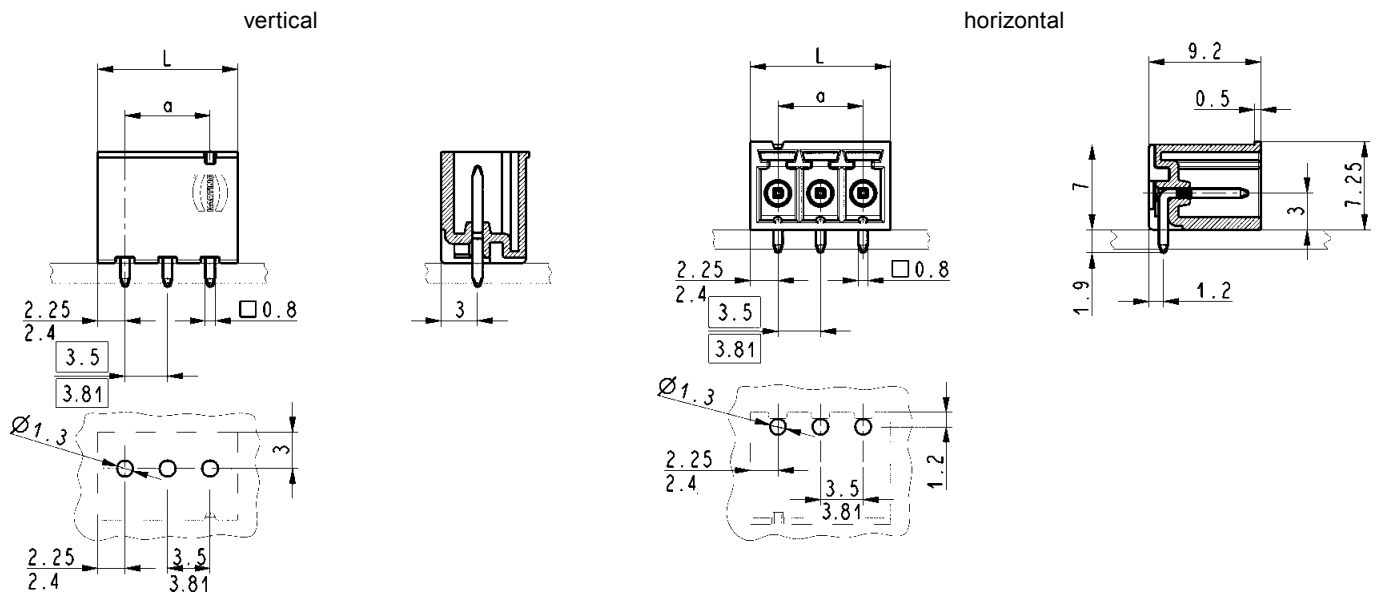


PCB connectors male,
vertical/horizontal
for reflow soldering
pitch 3.50 / 3.81 mm

Drawing

Dimensions in mm

Dimensions



L = (pitch x poles) + 1 mm
a = pitch x (poles - 1)

L = (pitch x poles) + 1 mm
a = pitch x (poles - 1)

Technical characteristics

Technical data

Rated current 11 A
Pitch 3.50 mm / 3.81 mm

Surge voltage category /
pollution degree
Rated voltage
Rated surge voltage

III/3	III/2	II/2
150 V	150 V	300 V
2.5 kV	2.5 kV	2.5 kV

Material data

Group of insulation material I
Type of insulation material PA / PPA
Flammability rating per UL 94 V0
Operating temperature -40 °C ... +110 °C
Contact material copper alloy
Contact plating tin plated
UL approval (E 102079)



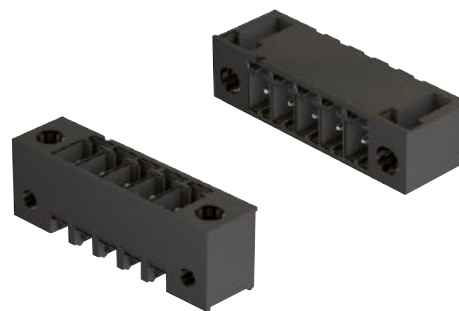
Solder pin data

Solder pin: drilled hole diameter 1.3 mm

Approval data (UL)

Use group	B	C	D
Rated voltage	300 V	–	300 V
Rated current	11 A	–	11 A

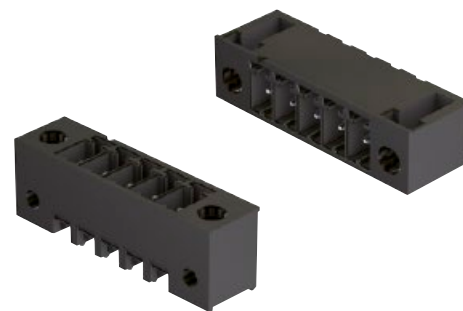
PCB connectors male
with thread flange,
vertical/horizontal
for reflow soldering
pitch 3.50 / 3.81 mm



Identification	No. of contacts	Part number	Packaging unit (pieces)
PCB connectors male with thread flange, vertical/horizontal	2	14 12 021 . 00	100
	3	14 12 031 . 00	100
	4	14 12 041 . 00	75
	5	14 12 051 . 00	75
	6	14 12 061 . 00	50
	7	14 12 071 . 00	50
	8	14 12 081 . 00	50
	9	14 12 091 . 00	50
	10	14 12 101 . 00	50
	11	14 12 111 . 00	50
	12	14 12 121 . 00	50
	13	14 12 131 . 00	50
	14	14 12 141 . 00	50
	15	14 12 151 . 00	50
	16	14 12 161 . 00	50
	17	14 12 171 . 00	50
	18	14 12 181 . 00	50
	19	14 12 191 . 00	50
	20	14 12 201 . 00	50
	21	14 12 211 . 00	25
	22	14 12 221 . 00	25
	Please insert digit for pitch 3.50 mm ▶ 4 pitch 3.81 mm ▶ 5 vertical ▶ 5 horizontal ▶ 6		
Coding keys		14 95 000 0052 000	120

har-flexicon

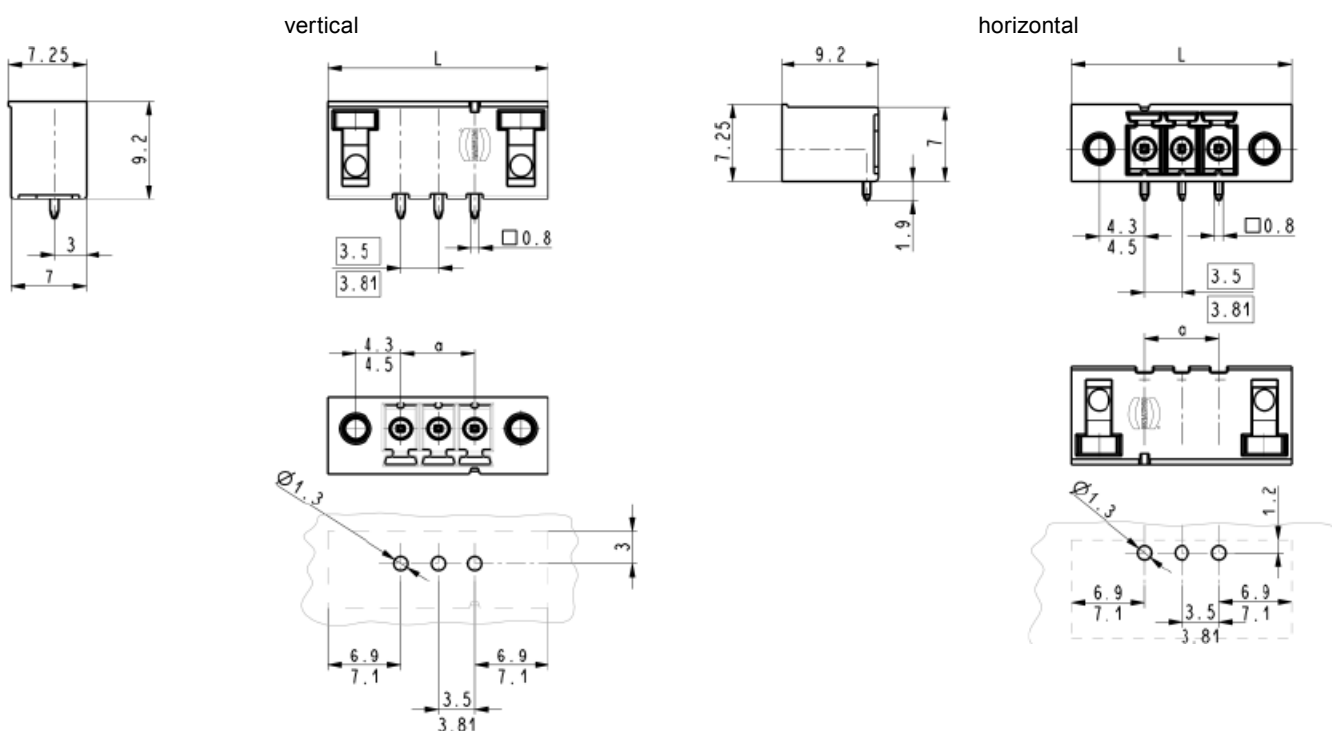
PCB connectors male
with thread flange,
vertical/horizontal
for reflow soldering
pitch 3.50 / 3.81 mm



Drawing

Dimensions in mm

Dimensions



Pitch 3.50 mm: L = (3.50 mm x poles) + 10.3 mm
Pitch 3.81 mm: L = (3.81 mm x poles) + 10.39 mm
a = pitch x (poles - 1)

Pitch 3.50 mm: L = (3.50 mm x poles) + 10.3 mm
Pitch 3.81 mm: L = (3.81 mm x poles) + 10.39 mm
a = pitch x (poles - 1)

Technical characteristics

Technical data

Rated current 11 A
Pitch 3.50 mm / 3.81 mm

Surge voltage category / pollution degree	III/3	III/2	II/2
Rated voltage	150 V	150 V	300 V
Rated surge voltage	2.5 kV	2.5 kV	2.5 kV

Solder pin data

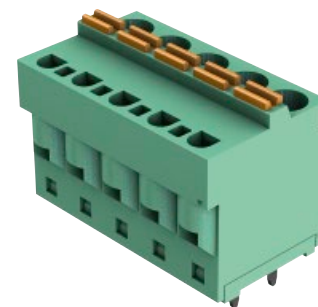
Solder pin: drilled hole diameter 1.3 mm

Material data

Group of insulation material I
Type of insulation material PA / PPA
Flammability rating per UL 94 V0
Operating temperature -40 °C ... +110 °C
Contact material copper alloy
Contact plating tin plated
 UL approval (E 102079)
Thread flange M2.5

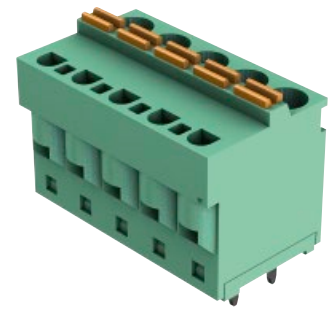
Approval data (UL)

Use group	B	C	D
Rated voltage	300 V	-	300 V
Rated current	11 A	-	11 A



PCB terminal blocks,
vertical with push-in-spring-cage termination
for wave soldering
pitch 5.00 mm

Identification	No. of contacts	Part number	Packaging unit (pieces)
PCB terminal blocks, vertical with push-in-spring-cage termination	2	14 03 021 6101 000	300
	3	14 03 031 6101 000	200
	4	14 03 041 6101 000	150
	5	14 03 051 6101 000	150
	6	14 03 061 6101 000	100
	7	14 03 071 6101 000	100
	8	14 03 081 6101 000	100
	9	14 03 091 6101 000	100
	10	14 03 101 6101 000	100
	11	14 03 111 6101 000	100
	12	14 03 121 6101 000	100
	13	14 03 131 6101 000	50
	14	14 03 141 6101 000	50
	15	14 03 151 6101 000	50
	16	14 03 161 6101 000	50
	17	14 03 171 6101 000	50
	18	14 03 181 6101 000	50

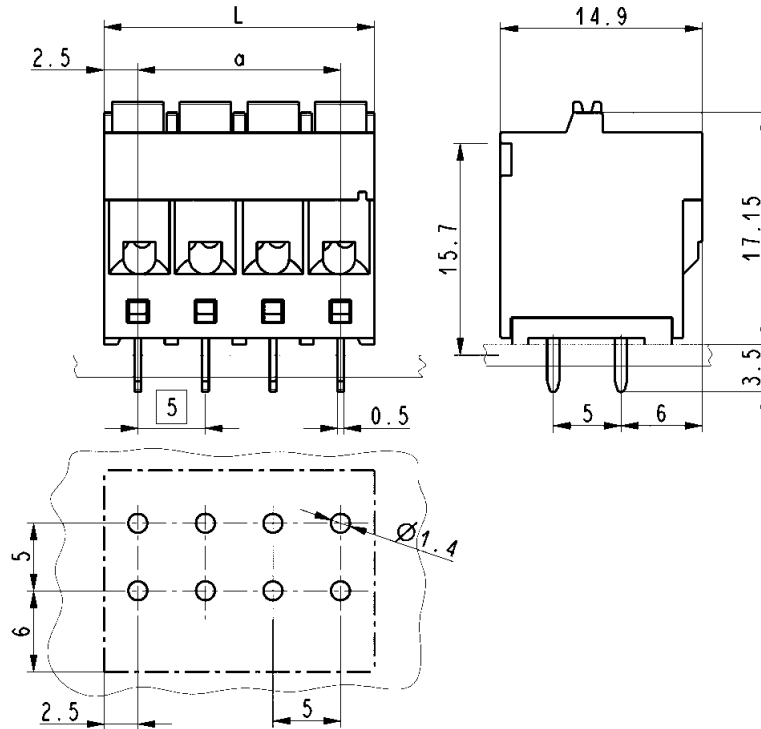


PCB terminal blocks,
vertical with push-in-spring-cage termination
for wave soldering
pitch 5.00 mm

Drawing

Dimensions in mm

Dimensions



L = pitch x poles
a = pitch x (poles - 1)

Technical characteristics

Technical data

Rated current 12 A
Pitch 5.00 mm

Surge voltage category /
pollution degree

	III/3	III/2	II/2
Rated voltage	300 V	300 V	600 V
Rated surge voltage	4 kV	4 kV	4 kV

Material data

Group of insulation material I
Type of insulation material PA
Flammability rating per UL 94 V0
Operating temperature -40 °C ... +110 °C
Contact material copper alloy
Contact plating tin plated
UL approval (E 102079)



Conductor and solder pin data

Connection technology wire push-in-spring-cage
termination
Conductor size solid / stranded 0.2 - 2.5 / 0.2 - 2.5 mm²
stranded with ferrules 0.5 - 2.5 / 0.5 - 2.5 mm²
without / with plastic sleeve
Conductor size AWG 30 - 12
Stripping length 10 mm
Solder pin: drilled hole diameter 1.4 mm

Approval data (UL)

Use group	B	C	D
Rated voltage	300 V	-	300 V
Rated current	12 A	-	12 A



PCB terminal blocks,
vertical with push-in-spring-cage termination
for reflow soldering
pitch 5.00 mm

Identification	No. of contacts	Part number	Packaging unit (pieces)
PCB terminal blocks, stackable, vertical with push-in-spring-cage termination			
	2	14 02 021 6101 ...	100
	3	14 02 031 6101 ...	100
	4	14 02 041 6101 ...	75

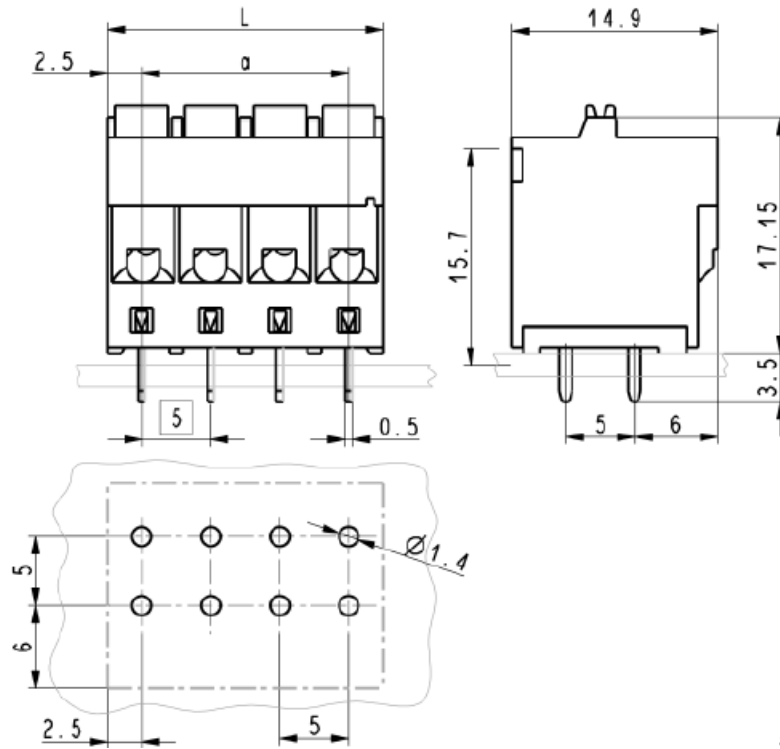


PCB terminal blocks,
vertical with push-in-spring-cage
termination for reflow soldering
pitch 5.00 mm

Drawing

Dimensions in mm

Dimensions



L = pitch x poles
a = pitch x (poles - 1)

Technical characteristics

Technical data

Rated current 12 A
Pitch 5.00 mm

Surge voltage category /
pollution degree

III/3	III/2	II/2
300 V	300 V	600 V
4 kV	4 kV	4 kV

Rated voltage

Rated surge voltage

Material data

Group of insulation material I
Type of insulation material PA / PPA
Flammability rating per UL 94 V0
Operating temperature -40 °C ... +110 °C
Contact material copper alloy
Contact plating tin plated
UL approval (E 102079)



Conductor and solder pin data

Connection technology wire push-in-spring-cage termination
Conductor size solid / stranded 0.2 - 2.5 / 0.2 - 2.5 mm²
stranded with ferrules 0.5 - 2.5 / 0.5 - 2.5 mm²
without / with plastic sleeve
Conductor size AWG 30 - 12
Stripping length 10 mm
Solder pin: drilled hole diameter 1.4 mm

Approval data (UL)

Use group	B	C	D
Rated voltage	300 V	-	300 V
Rated current	12 A	-	12 A



PCB terminal blocks,
horizontal with screw termination
for reflow soldering
pitch 5.00 mm

Identification	No. of contacts	Part number	Packaging unit (pieces)
PCB terminal blocks, horizontal with screw termination for wire gauge 2.5 mm ²			
	2	14 02 021 6404 ...	100
	3	14 02 031 6404 ...	100
	4	14 02 041 6404 ...	75
	5	14 02 051 6404 ...	75
	6	14 02 061 6404 ...	50
	7	14 02 071 6404 ...	50
	8	14 02 081 6404 ...	50

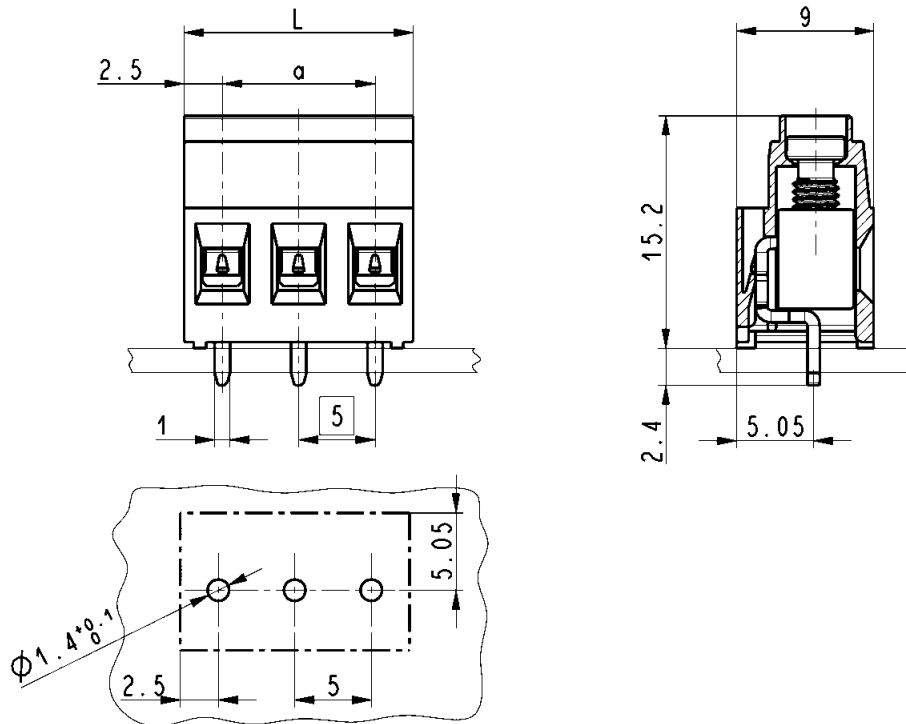


PCB terminal blocks,
horizontal with screw termination
for reflow soldering
pitch 5.00 mm

Drawing

Dimensions in mm

Dimensions



L = pitch x poles
a = pitch x (poles - 1)

Technical characteristics

Technical data

Rated current 17.5 A
Pitch 5.00 mm

Surge voltage category /
pollution degree

III/3	III/2	II/2
300 V	300 V	600 V
4 kV	4 kV	4 kV

Rated voltage

Rated surge voltage

Material data

Group of insulation material I
Type of insulation material PA / PPA
Flammability rating per UL 94 V0
Operating temperature -40 °C ... +110 °C
Contact material copper alloy
Contact plating tin plated
UL approval (E 102079)



Conductor and solder pin data

Connection technology wire screw termination
Conductor size solid / stranded 0.05 - 2.5 / 0.05 - 2.5 mm²
stranded with ferrules
without / with plastic sleeve 0.50 - 2.5 / 0.10 - 2.5 mm²
Conductor size AWG 30 - 12
Screw thread M3
Tightening torque 0.5 - 0.6 Nm
Stripping length 5.5 - 6.5 mm
Solder pin: drilled hole diameter 1.4 mm

Approval data (UL)

Use group	B	C	D
Rated voltage	300 V	-	300 V
Rated current	17.5 A	-	17.5 A



PCB terminal blocks,
horizontal with screw termination
for reflow soldering
pitch 5.00 mm

Identification	No. of contacts	Part number	Packaging unit (pieces)
PCB terminal blocks, horizontal with screw termination			
for wire gauge 1.5 mm ²	2	14 02 021 6402 ...	100
	3	14 02 031 6402 ...	100
	4	14 02 041 6402 ...	75
	5	14 02 051 6402 ...	75
	6	14 02 061 6402 ...	50
	7	14 02 071 6402 ...	50
	8	14 02 081 6402 ...	50
	9	14 02 091 6402 ...	50
	10	14 02 101 6402 ...	50
	11	14 02 111 6402 ...	50
	12	14 02 121 6402 ...	50

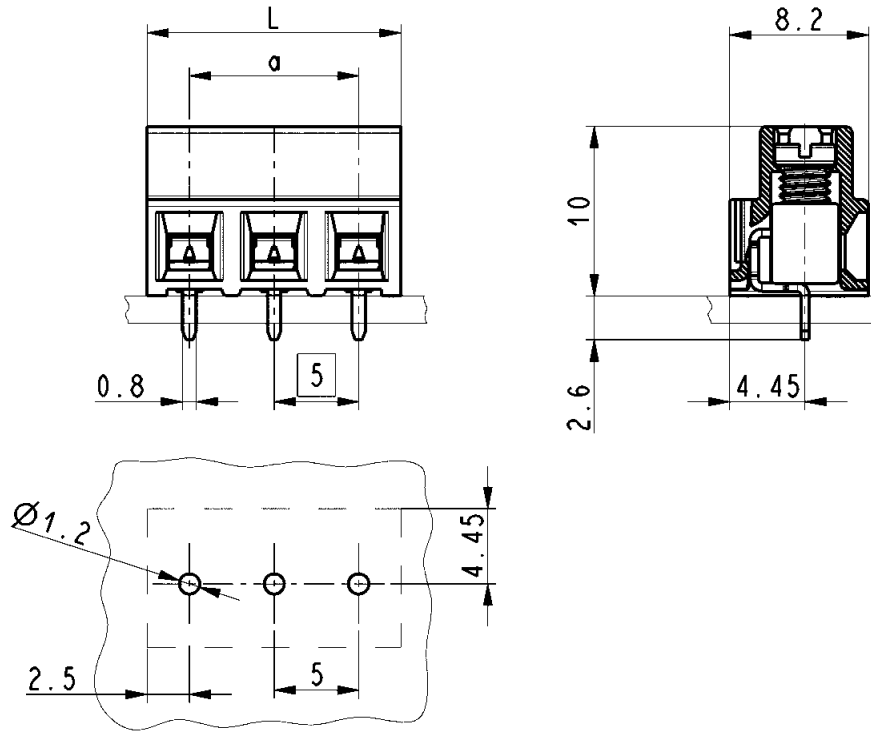


PCB terminal blocks,
horizontal with screw termination
for reflow soldering
pitch 5.00 mm

Drawing

Dimensions in mm

Dimensions



L = pitch x poles
a = pitch x (poles - 1)

Technical characteristics

Technical data

Rated current 13.5 A
Pitch 5.00 mm

Surge voltage category /
pollution degree

III/3	III/2	II/2
220 V	300 V	600 V
4 kV	4 kV	4 kV

Rated voltage

Rated surge voltage

Material data

Group of insulation material I
Type of insulation material PA / PPA
Flammability rating per UL 94 V0
Operating temperature -40 °C ... +110 °C
Contact material copper alloy
Contact plating tin plated
UL approval (E 102079)



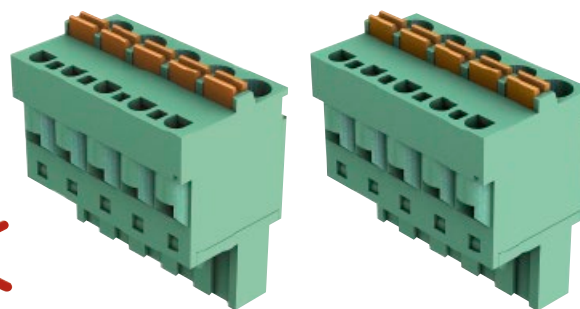
Conductor and solder pin data

Connection technology wire screw termination
Conductor size solid / stranded 0.05 - 1.5 / 0.05 - 1.0 mm²
stranded with ferrules without / with plastic sleeve 0.50 - 1.5 / 0.10 - 1.5 mm²
Conductor size AWG 30 - 16
Screw thread M3
Tightening torque 0.5 - 0.6 Nm
Stripping length 5.0 - 6.0 mm
Solder pin: drilled hole diameter 1.2 mm

Approval data (UL)

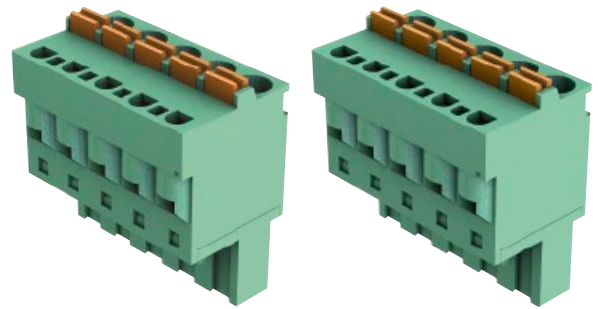
Use group	B	C	D
Rated voltage	300 V	–	300 V
Rated current	13.5 A	–	13.5 A

PCB connectors female,
horizontal
with push-in-spring-cage termination
pitch 5.00 / 5.08 mm



Identification	No. of contacts	Part number	Packaging unit (pieces)
PCB connectors female, horizontal with push-in-spring-cage termination	2	14 31 021 . 102 000	300
	3	14 31 031 . 102 000	200
	4	14 31 041 . 102 000	150
	5	14 31 051 . 102 000	150
	6	14 31 061 . 102 000	100
	7	14 31 071 . 102 000	100
	8	14 31 081 . 102 000	100
	9	14 31 091 . 102 000	100
	10	14 31 101 . 102 000	100
	11	14 31 111 . 102 000	100
	12	14 31 121 . 102 000	100
	13	14 31 131 . 102 000	50
	14	14 31 141 . 102 000	50
	15	14 31 151 . 102 000	50
	16	14 31 161 . 102 000	50
	17	14 31 171 . 102 000	50
	18	14 31 181 . 102 000	50
	Please insert digit for pitch 5.00 mm ▶ 6 pitch 5.08 mm ▶ 7		
Coding keys		14 95 000 0052 000	120

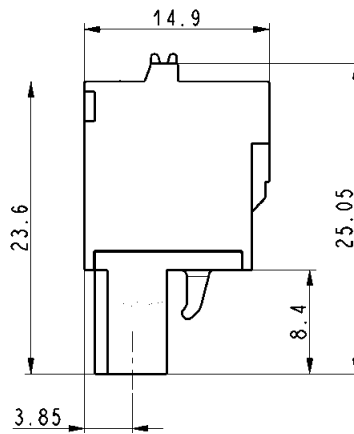
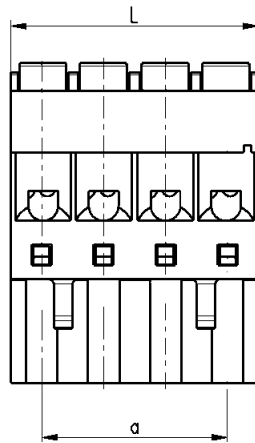
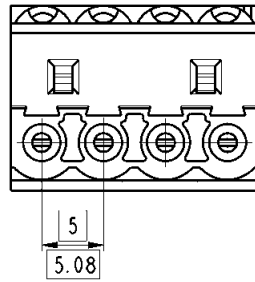
PCB connectors female,
horizontal
with push-in-spring-cage termination
pitch 5.00 / 5.08 mm



Drawing

Dimensions in mm

Dimensions



L = pitch x poles
a = pitch x (poles - 1)

Technical characteristics

Technical data

Rated current 12 A
Pitch 5.00 mm / 5.08 mm

Surge voltage category /
pollution degree

III/3	III/2	II/2
250 V	300 V	600 V
4 kV	4 kV	4 kV

Rated voltage

Rated surge voltage

Material data

Group of insulation material I
Type of insulation material PA / PPA
Flammability rating per UL 94 V0
Operating temperature -40 °C ... +110 °C
Contact material copper alloy
Contact plating tin plated
UL approval (E 102079)



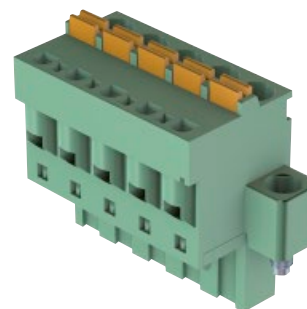
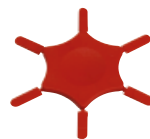
Conductor data

Connection technology wire push-in-spring-cage termination
Conductor size solid / stranded 0.2 - 2.5 / 0.2 - 2.5 mm²
stranded with ferrules 0.5 - 2.5 / 0.5 - 2.5 mm²
without / with plastic sleeve
Conductor size AWG 30 - 12
Stripping length 10 mm

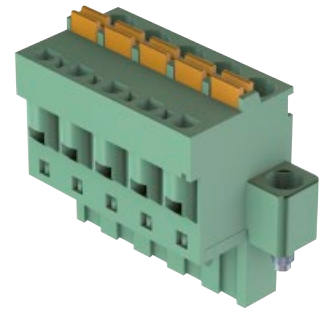
Approval data (UL)

Use group	B	C	D
Rated voltage	300 V	–	300 V
Rated current	12 A	–	12 A

PCB connectors female
with screw flange,
horizontal
with push-in-spring-cage termination
pitch 5.08 mm



Identification	No. of contacts	Part number	Packaging unit (pieces)
PCB connectors female with screw flange, horizontal with push-in-spring-cage termination	2	14 31 021 7106 000	300
	3	14 31 031 7106 000	200
	4	14 31 041 7106 000	150
	5	14 31 051 7106 000	150
	6	14 31 061 7106 000	100
	7	14 31 071 7106 000	100
	8	14 31 081 7106 000	100
	9	14 31 091 7106 000	100
	10	14 31 101 7106 000	100
	11	14 31 111 7106 000	100
	12	14 31 121 7106 000	100
	13	14 31 131 7106 000	50
	14	14 31 141 7106 000	50
	15	14 31 151 7106 000	50
	16	14 31 161 7106 000	50
	17	14 31 171 7106 000	50
	18	14 31 181 7106 000	50
	Coding keys		14 95 000 0052 000

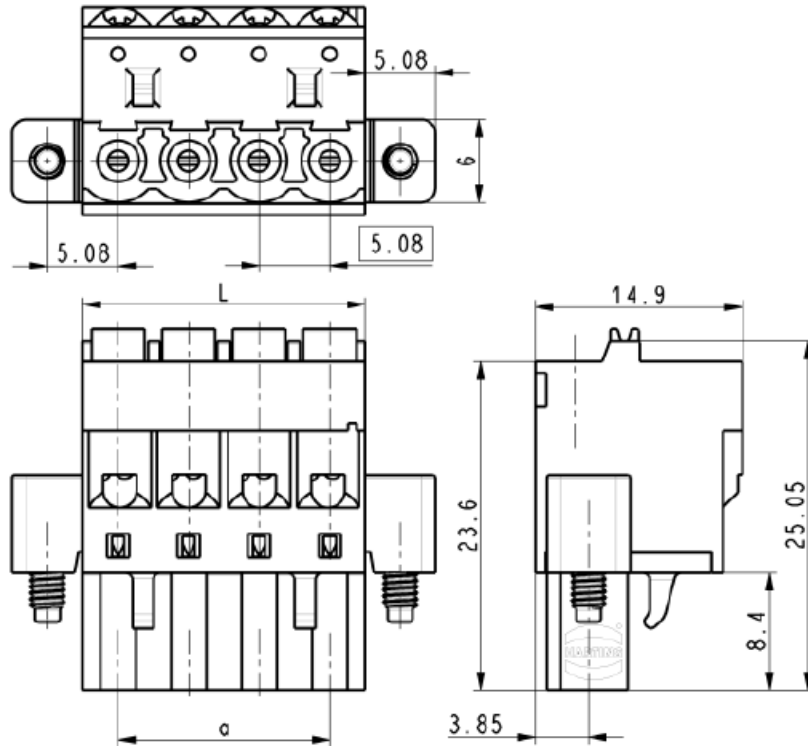


PCB connectors female
with screw flange,
horizontal
with push-in-spring-cage termination
pitch 5.08 mm

Drawing

Dimensions in mm

Dimensions



L = pitch x poles
a = pitch x (poles - 1)

Technical characteristics

Technical data

Rated current 12 A
Pitch 5.08 mm

Surge voltage category /
pollution degree

III/3	III/2	II/2
250 V	300 V	600 V
4 kV	4 kV	4 kV

Rated voltage

Rated surge voltage

Material data

Group of insulation material I
Type of insulation material PA / PPA
Flammability rating per UL 94 V0
Operating temperature -40 °C ... +110 °C
Contact material copper alloy
Contact plating tin plated
 UL approval (E 102079)
Screw flange M2.5

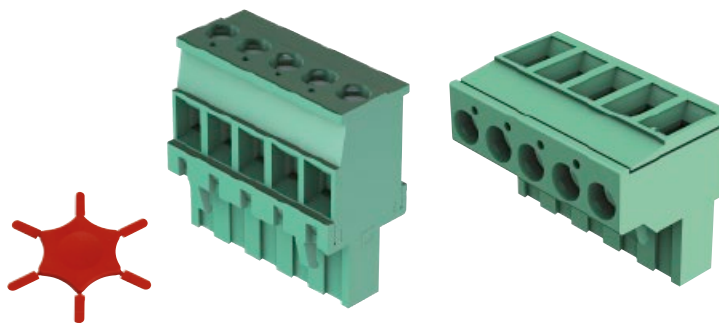
Conductor data

Connection technology wire push-in-spring-cage termination
Conductor size solid / stranded 0.2 - 2.5 / 0.2 - 2.5 mm²
stranded with ferrules
without / with plastic sleeve 0.5 - 2.5 / 0.5 - 2.5 mm²
Conductor size AWG 30 - 12
Stripping length 10 mm

Approval data (UL)

Use group	B	C	D
Rated voltage	300 V	–	300 V
Rated current	12 A	–	12 A

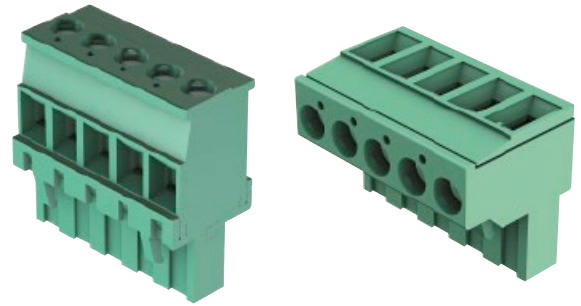
PCB connectors female,
vertical / horizontal
with screw termination
pitch 5.00 / 5.08 mm



Identification	No. of contacts	Part number	Packaging unit (pieces)
PCB connectors female, vertical / horizontal with screw termination	2	14 31 021 . 40 . 000	300
	3	14 31 031 . 40 . 000	200
	4	14 31 041 . 40 . 000	150
	5	14 31 051 . 40 . 000	150
	6	14 31 061 . 40 . 000	100
	7	14 31 071 . 40 . 000	100
	8	14 31 081 . 40 . 000	100
	9	14 31 091 . 40 . 000	100
	10	14 31 101 . 40 . 000	100
	11	14 31 111 . 40 . 000	100
	12	14 31 121 . 40 . 000	100
	13	14 31 131 . 40 . 000	50
	14	14 31 141 . 40 . 000	50
	15	14 31 151 . 40 . 000	50
	16	14 31 161 . 40 . 000	50
	17	14 31 171 . 40 . 000	50
	18	14 31 181 . 40 . 000	50
	19	14 31 191 . 40 . 000	50
	20	14 31 201 . 40 . 000	50
	21	14 31 211 . 40 . 000	25
	22	14 31 221 . 40 . 000	25
	23	14 31 231 . 40 . 000	25
	24	14 31 241 . 40 . 000	25
	25	14 31 251 . 40 . 000	25
	Please insert digit for		
pitch 5.00 mm ▶	6		
pitch 5.08 mm ▶	7		
vertical* ▶	1		
horizontal ▶	2		
15 40	Coding keys	14 95 000 0052 000	120

* Only available in 5.08 mm pitch

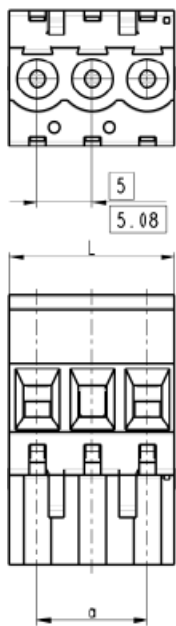
PCB connectors female,
vertical / horizontal
with screw termination
pitch 5.00 / 5.08 mm



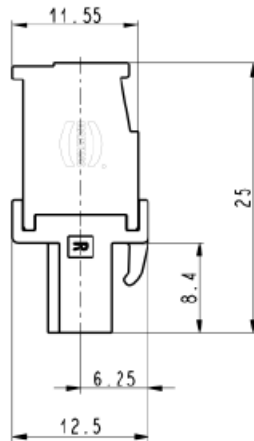
Drawing

Dimensions in mm

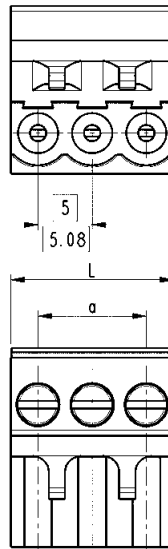
Dimensions



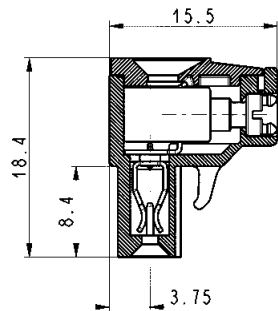
vertical



L = pitch x poles
a = pitch x (poles - 1)



horizontal



L = pitch x poles
a = pitch x (poles - 1)

Technical characteristics

Technical data

Rated current 15 A
Pitch 5.00 mm / 5.08 mm

Surge voltage category /
pollution degree

III/3	III/2	II/2
250 V	300 V	600 V
4 kV	4 kV	4 kV

Rated voltage

Rated surge voltage

Material data

Group of insulation material I
Type of insulation material PA / PPA
Flammability rating per UL 94 V0
Operating temperature -40 °C ... +110 °C
Contact material copper alloy
Contact plating tin plated
UL approval (E 102079)



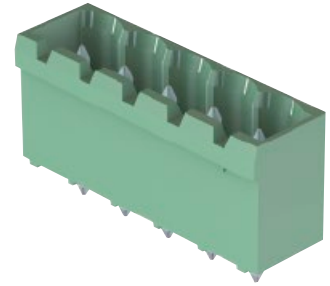
Conductor data

Connection technology wire screw termination
Conductor size solid / stranded 0.05 - 2.5 / 0.05 - 2.5 mm²
stranded with ferrules without / with plastic sleeve 0.50 - 2.5 / 0.10 - 2.5 mm²
Conductor size AWG 30 - 12
Screw thread M3
Tightening torque 0.5 - 0.6 Nm
Stripping length 6.0 - 7.5 mm

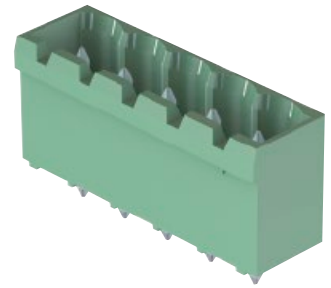
Approval data (UL)

Use group	B	C	D
Rated voltage	300 V	-	300 V
Rated current	15 A	-	15 A

PCB connectors male,
vertical
for wave soldering
pitch 5.00 / 5.08 mm



Identification	No. of contacts	Part number	Packaging unit (pieces)
PCB connectors male, vertical			
	2	14 13 021 . 001 000	100
	3	14 13 031 . 001 000	100
	4	14 13 041 . 001 000	75
	5	14 13 051 . 001 000	75
	6	14 13 061 . 001 000	50
	7	14 13 071 . 001 000	50
	8	14 13 081 . 001 000	50
	9	14 13 091 . 001 000	50
	10	14 13 101 . 001 000	50
	11	14 13 111 . 001 000	50
	12	14 13 121 . 001 000	50
Please insert digit for pitch 5.00 mm ▶ 6 pitch 5.08 mm ▶ 7			
Coding keys		14 95 000 0051 000	120

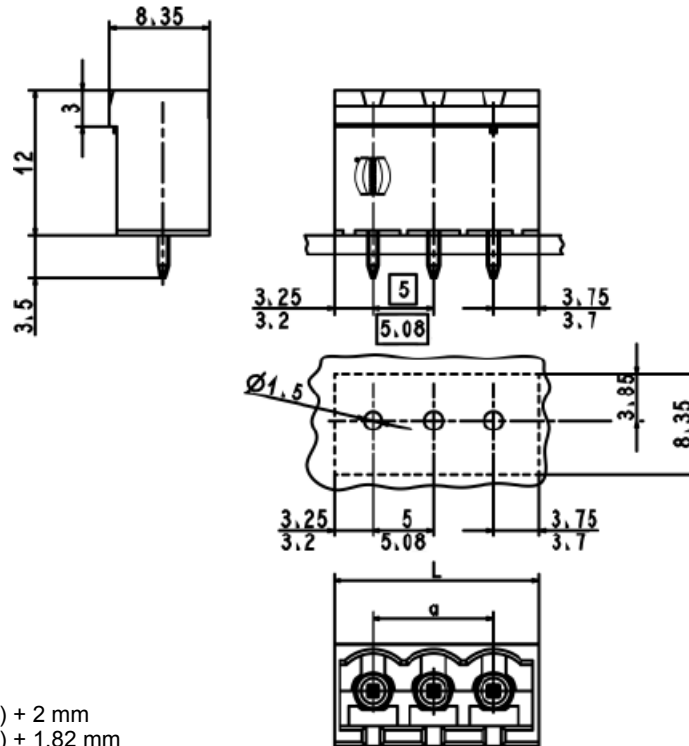


PCB connectors male,
vertical
for wave soldering
pitch 5.00 / 5.08 mm

Drawing

Dimensions in mm

Dimensions



Pitch 5.00 mm: L = (pitch x poles) + 2 mm
Pitch 5.08 mm: L = (pitch x poles) + 1,82 mm

Technical characteristics

Technical data

Rated current 15 A
Pitch 5.00 mm / 5.08 mm

Surge voltage category /
pollution degree

III/3	III/2	II/2
250 V	300 V	600 V
4 kV	4 kV	4 kV

Rated voltage

Rated surge voltage

Material data

Group of insulation material I
Type of insulation material PA
Flammability rating per UL 94 V0
Operating temperature -40 °C ... +110 °C
Contact material copper alloy
Contact plating tin plated
UL approval (E 102079)



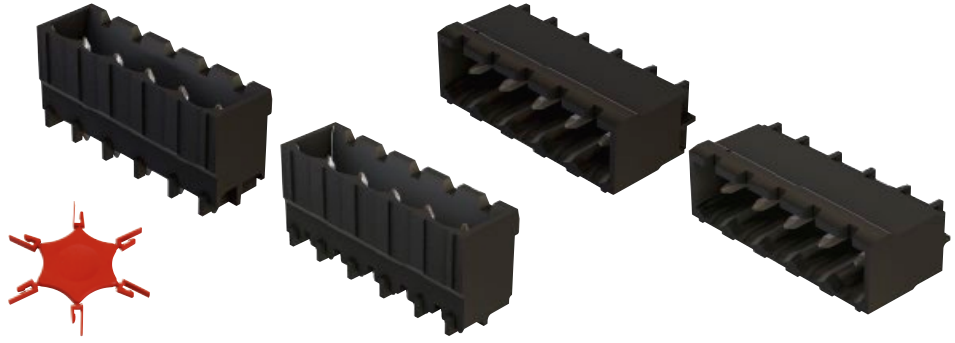
Solder pin data

Solder pin: drilled hole diameter 1.5 mm

Approval data (UL)

Use group	B	C	D
Rated voltage	300 V	–	300 V
Rated current	15 A	–	15 A

PCB connectors male,
vertical/horizontal
for reflow soldering
pitch 5.00 / 5.08 mm



Identification	No. of contacts	Part number	Packaging unit (pieces)
----------------	-----------------	-------------	-------------------------

PCB connectors male,
vertical/horizontal

2	14 12 021 . 00	100
3	14 12 031 . 00	100
4	14 12 041 . 00	75
5	14 12 051 . 00	75
6	14 12 061 . 00	50
7	14 12 071 . 00	50
8	14 12 081 . 00	50
9	14 12 091 . 00	50
10	14 12 101 . 00	50
11	14 12 111 . 00	50
12	14 12 121 . 00	50
13	14 12 131 . 00	50
14	14 12 141 . 00	50
15	14 12 151 . 00	50
16	14 12 161 . 00	50
17	14 12 171 . 00	50
18	14 12 181 . 00	50
19	14 12 191 . 00	50
20*	14 12 201 . 00	50

Please insert digit for

- pitch 5.00 mm ▶ 6
- pitch 5.08 mm ▶ 7
- vertical ▶ 1
- horizontal ▶ 2

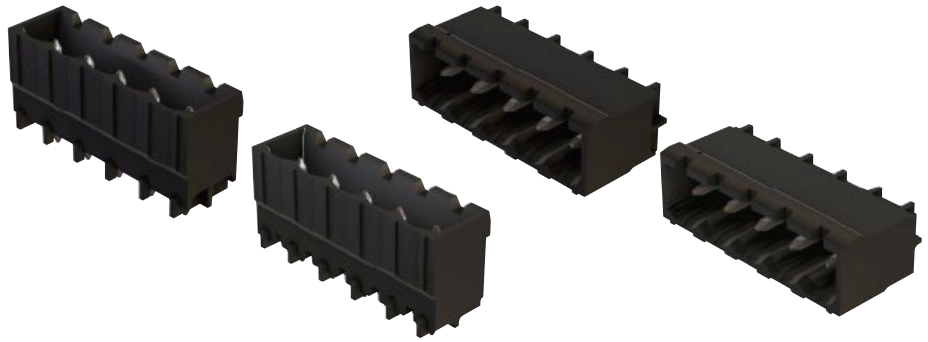
15
44 Coding keys

14 95 000 0051 000 120

* Not available in pitch 5.00 mm (horizontal)

for samples (1 piece)
for a packaging unit



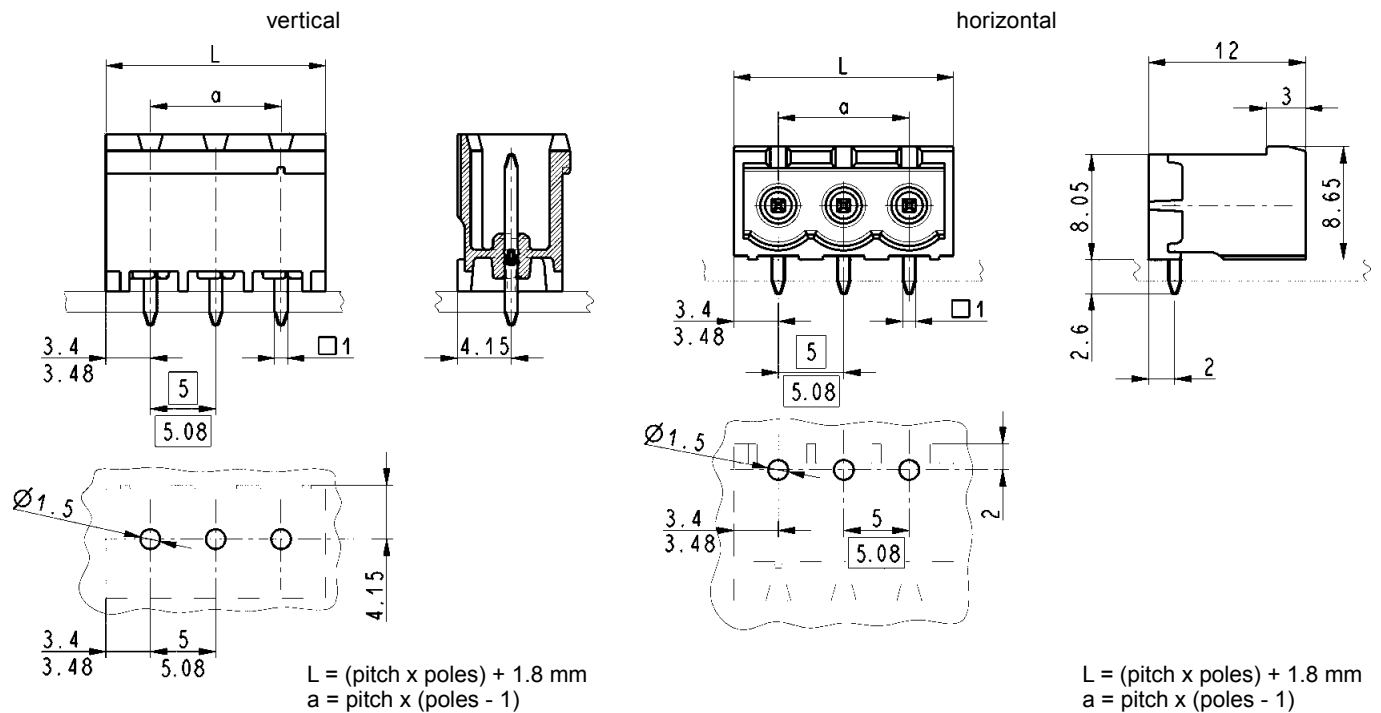


PCB connectors male, vertical/horizontal for reflow soldering pitch 5.00 / 5.08 mm

Drawing

Dimensions in mm

Dimensions



Technical characteristics

Technical data

Rated current 15 A
Pitch 5.00 mm / 5.08 mm

Surge voltage category / pollution degree	III/3	III/2	II/2
Rated voltage	250 V	300 V	600 V
Rated surge voltage	4 kV	4 kV	4 kV

Material data

Group of insulation material I
Type of insulation material PA / PPA
Flammability rating per UL 94 V0
Operating temperature -40 °C ... +110 °C
Contact material copper alloy
Contact plating tin plated
UL approval (E 102079)



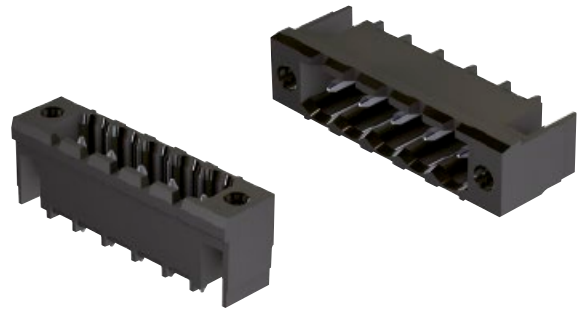
Solder pin data

Solder pin: drilled hole diameter 1.5 mm

Approval data (UL)

Use group	B	C	D
Rated voltage	300 V	–	300 V
Rated current	15 A	–	15 A

PCB connectors male
with thread flange,
vertical/horizontal
for reflow soldering
pitch 5.08 mm

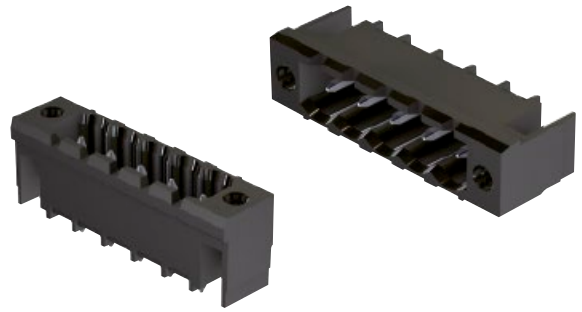


Identification	No. of contacts	Part number	Packaging unit (pieces)
PCB connectors male with thread flange, vertical/horizontal			
	2	14 12 021 700 . . .	100
	3	14 12 031 700 . . .	100
	4	14 12 041 700 . . .	75
	5	14 12 051 700 . . .	75
	6	14 12 061 700 . . .	50
	7	14 12 071 700 . . .	50
	8	14 12 081 700 . . .	50
	9	14 12 091 700 . . .	50
	10	14 12 101 700 . . .	50
	11	14 12 111 700 . . .	50
	12	14 12 121 700 . . .	50
	13	14 12 131 700 . . .	50
	14	14 12 141 700 . . .	50
	15	14 12 151 700 . . .	50
	16	14 12 161 700 . . .	50
	17	14 12 171 700 . . .	50
	18	14 12 181 700 . . .	50
Please insert digit for vertical ► 5 horizontal ► 6		14 95 000 0051 000	120

har-flexicon



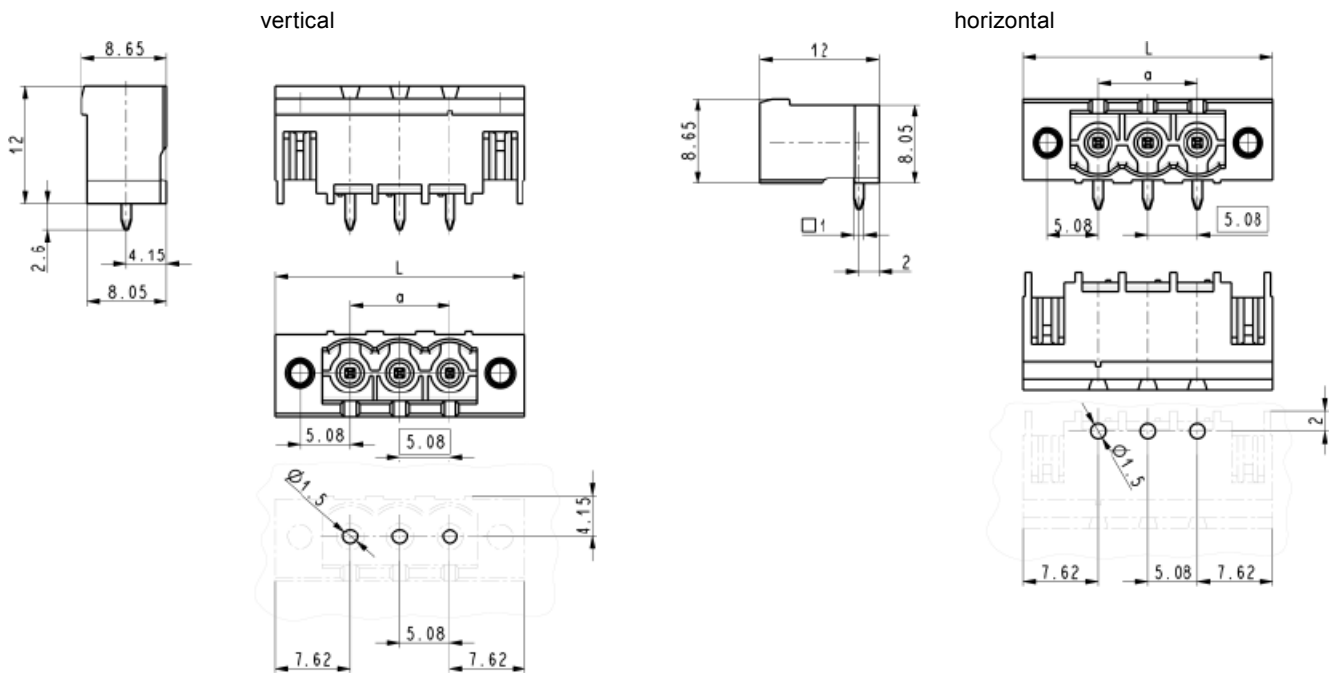
PCB connectors male
with thread flange,
vertical/horizontal
for reflow soldering
pitch 5.08 mm



Drawing

Dimensions in mm

Dimensions



L = pitch x (poles + 2)
a = pitch x (poles - 1)

L = pitch x (poles + 2)
a = pitch x (poles - 1)

Technical characteristics

Technical data

Rated current	15 A		
Pitch	5.08 mm		
Surge voltage category / pollution degree	III/3	III/2	II/2
Rated voltage	250 V	300 V	600 V
Rated surge voltage	4 kV	4 kV	4 kV

Material data

Group of insulation material	I
Type of insulation material	PA / PPA
Flammability rating per UL 94	V0
Operating temperature	-40 °C ... +110 °C
Contact material	copper alloy
Contact plating	tin plated
Thread flange	UL approval (E 102079) M2.5

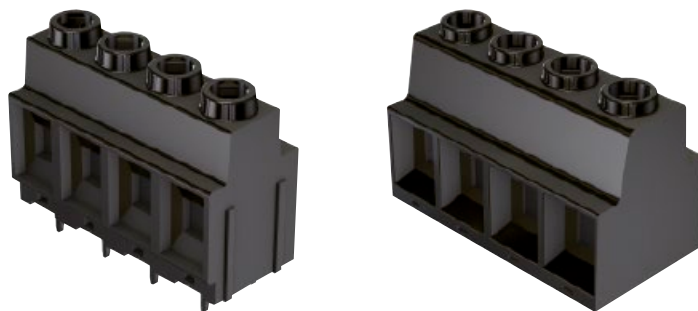
Solder pin data

Solder pin: drilled hole diameter 1.4 mm

Approval data (UL)

Use group	B	C	D
Rated voltage	300 V	-	300 V
Rated current	15 A	-	15 A

PCB terminal blocks,
horizontal with screw termination
10 mm² / 25 mm²
for reflow soldering
pitch 10.16 / 15.00 mm

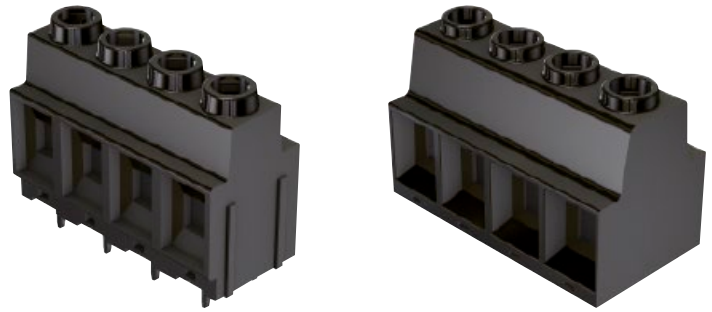


Identification	No. of contacts	Part number	Packaging unit (pieces)
PCB terminal blocks, stackable horizontal with screw termination			
For wire gauge 10 mm ² Pitch 10.16 mm 600 V 60 A	2	14 02 022 5402 000	50
	3	14 02 032 5402 000	50
	4	14 02 042 5402 000	40
For wire gauge 25 mm ² Pitch 15.00 mm 600 V 135 A	2	14 02 022 7402 000	50
	3	14 02 032 7402 000	40
	4	14 02 042 7402 000	30

Approval data (UL)

Use group		B	C	D
Rated voltage	Pitch 10.16 mm	300 V	300 V	600 V
	Pitch 15.00 mm	600 V	600 V	–
Rated current	Pitch 10.16 mm	60 A	60 A	60 A
	Pitch 15.00 mm	135 A	135 A	–

PCB terminal blocks,
horizontal with screw termination
10 mm² / 25 mm²
for reflow soldering
pitch 10.16 / 15.00 mm



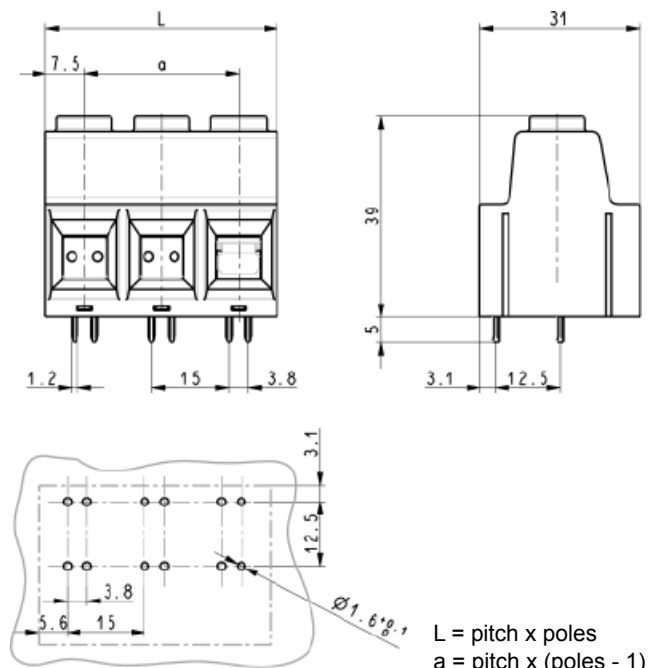
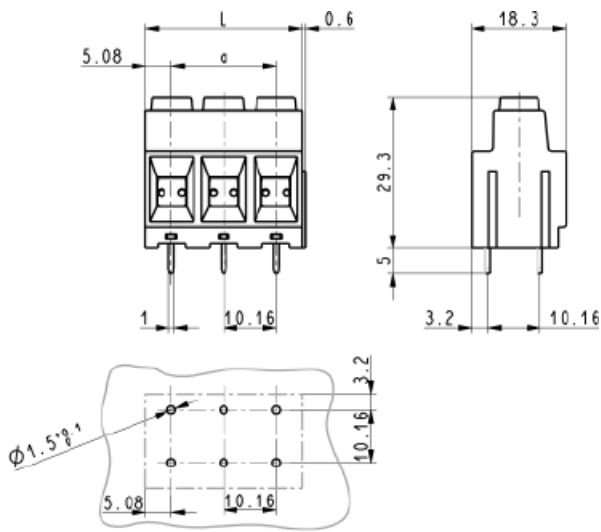
Drawing

Dimensions in mm

Dimensions

Pitch 10.16 mm

Pitch 15.00 mm



L = pitch x poles
a = pitch x (poles - 1)

L = pitch x poles
a = pitch x (poles - 1)

Technical characteristics

Technical data

Rated current 60 / 135 A
Pitch 10.16 / 15.00 mm

Surge voltage category /
pollution degree

III/3	III/2	II/2
1 kV	1 kV	1 kV
8 kV	8 kV	8 kV

Rated voltage

Rated surge voltage

Material data

Group of insulation material I
Type of insulation material PA / PPA
Flammability rating per UL 94 V0
Operating temperature -40 °C ... +110 °C
Contact material copper alloy
Contact plating tin plated
UL approval (E 102079)



Conductor and solder pin data

Connection technology wire screw termination
Conductor size
solid / stranded 0.5 - 16 / 0.5 - 10 mm²
stranded with ferrules without / with plastic sleeve 0.5 - 6 / 0.5 - 6 mm²
Conductor size AWG 20 - 6
Screw thread M4
Tightening torque 1.2 - 1.5 Nm
Stripping length 11 mm
Solder pin: drilled hole diameter min. 1.5 mm

Pitch 10.16 mm

screw termination

0.5 - 16 / 0.5 - 10 mm²
0.5 - 6 / 0.5 - 6 mm²

20 - 6

M4

1.2 - 1.5 Nm

11 mm

min. 1.5 mm

Pitch 15.00 mm

screw termination

0.5 - 35 / 0.5 - 25 mm²
0.5 - 16 / 0.5 - 16 mm²

20 - 1

M5

2.1 - 2.5 Nm

18 mm

min. 1.6 mm