



Han® 3 A RJ45
Metal Outlet, Cat. 6A, 8 pole

Advantages

- Robust metal housing for use in harsh industrial environments
- Simple mounting
- Cable feeding optionally from the left or from the right side
- Lockable Han® 3 A connector ports

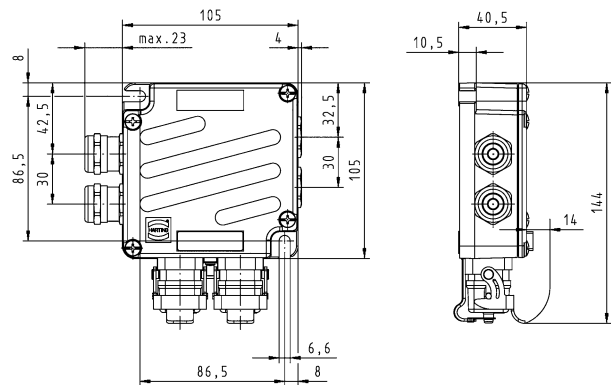
Technical characteristics

Number of ports, Copper/Termination	2 x Han® 3 A (V5) RJ45 (IP65 / IP67)
Transmission performance	Category 6A, Class E up to 500 MHz according to ISO/IEC 11801, EN 50 173-1
Data rate	10 Mbit/s, 100 Mbit/s, 1 Gbit/s, 2,5 Gbit/s, 5 Gbit/s, 10 Gbit/s
Termination	IDC
Strand diameter	AWG 24 ... 22 solid and stranded
Strand insulation	0.7 mm ... 1.6 mm
Cable diameter	5 mm ... 9 mm
Shielding	Fully shielded, 360° shielding contact
Mounting	Wall mounting
Dimensions (H x W x D)	105 x 105 x 40.5 mm
Degree of protection	IP65 / IP67
Operating temperature range	-40 °C ... +70 °C
Housing material	Aluminium, die-cast
Colour	Grey RAL 7037

Identification	Part number	Drawing	Dimensions in mm
----------------	-------------	---------	------------------

Han® 3 A RJ45
Metal Outlet, Cat. 6A

09 45 815 1560



consisting of:
2-port metal housing with protection caps, cable glands and blanking plug,
2 x RJ45 cable jack 09 45 545 1562
Label
Assembly instructions