



Han® 3 A connector set RJ45, 8 poles, Cat. 6<sub>A</sub>

## Advantages

- RJ45 Ethernet-Data connector suitable for industry
- Field-assembly with mounting tool
- Category of transmission Cat. 6<sub>A</sub>
- Compact design and very robust housing
- Min. 500 mating cycles

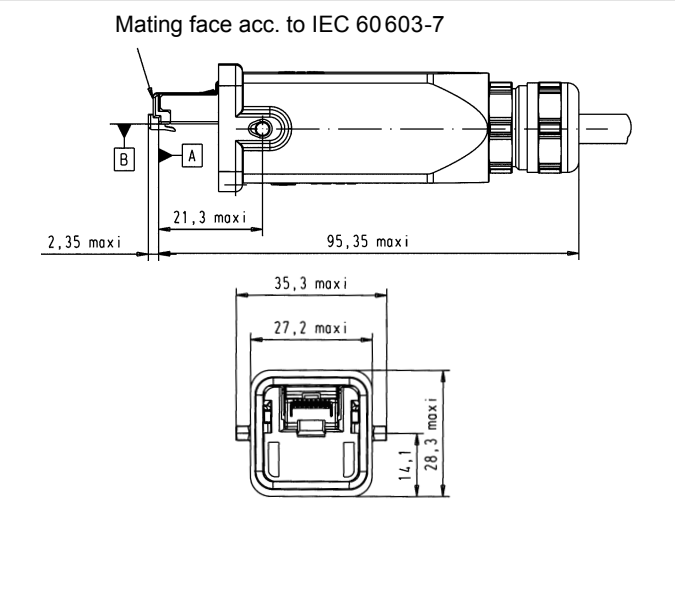
## Technical characteristics

Connector type	Han® 3 A Connector RJ45
Number of contacts	8
Transmission performance	Category 6 <sub>A</sub> , Class E <sub>A</sub> up to 500 MHz acc. to ISO/IEC 11801, EN 50173-1
Data rate	10 Mbit/s, 100 Mbit/s, 1 Gbit/s, 2,5 Gbit/s, 5 Gbit/s, 10 Gbit/s
Shielding	fully shielded, 360° shielding contact
Cable termination	with piercing contacts
Conductor cross section	AWG 28/7 - AWG 24/7, stranded
Conductor diameter	max. 1.05 mm
Cable outer diameter	5 mm – 9 mm
Degree of protection	IP65 / IP67
Temperature range	-40 °C ... +70 °C
Housing material	polycarbonate, UL 94 V0, black
Plastic version	
Metal versions	
Standard	Zinc die-cast, powder coating grey
M-version	Zinc die-cast, powder coating black

Connecting hardware

Identification	Part number	Drawing	Dimensions in mm
----------------	-------------	---------	------------------

Han® 3 A connector set RJ45, 8 poles, Cat. 6 <sub>A</sub> incl. housing, cable gland and instruction manual			
Plastic version, black	09 45 125 1520		
Metal version Standard, grey	09 45 115 1520		
Metal version M, black	09 45 115 1522		
Han® 3 A RJ45 connector insert can be combined with Han® 3 A housing	09 45 100 1520		
Coding pin set	09 45 820 0000		
suitable assembly tool	09 45 800 0520		



Dimensions valid for metal version Standard