



Han® PushPull RJ45 Coupling Metal
Cat. 6, Class E_A

Advantages

- High degree of protection IP65 / IP67
- Robust metal housing
- Standard PROFINET component of the German automotive production
- Extension of cords according to PROFINET guideline
- Can be count as one connection acc. to IEC 11801 Chapter 10.2.4
- For an easy robot termination and a fast exchange of tube packages

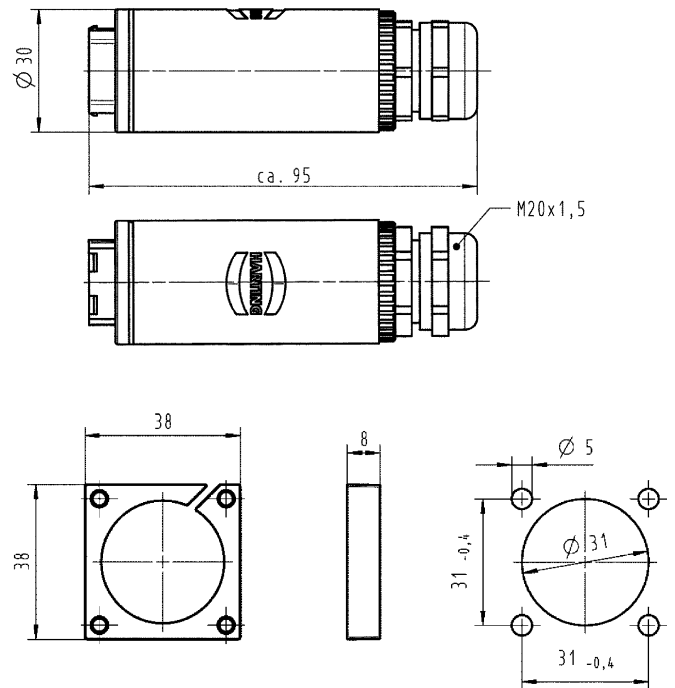
Technical characteristics

| | |
|---|---|
| Transmission performance | Cat. 6, Class E _A up to 500 MHz |
| Data rate | 10 Mbit/s, 100 Mbit/s, 1 Gbit/s, 2,5 Gbit/s, 5 Gbit/s, 10 Gbit/s |
| Locking | PushPull technology acc. to IEC 61076-3-117 variant 14 |
| Mating face | RJ45 acc. to IEC 60603-7 |
| Number of contacts | 8 |
| Usable cables | |
| Termination cross section | AWG 22-24 stranded/solid |
| Cable diameter | 5 ... 9 mm |
| Conductor diameter | 1.3 ... 1.6 mm |
| Mating cycles | min. 750 |
| Housing material | Aluminium die-cast |
| Degree of protection acc. to DIN 60529 | IP65 / IP67 |
| Temperature range | -40 °C ... +70 °C |

| Identification | Part number | Drawing | Dimensions in mm |
|----------------|-------------|---------|------------------|
|----------------|-------------|---------|------------------|

Han® PushPull RJ45
Coupling metal
including housing,
preLink® RJ45 jack,
bulkhead housing and cable gland

61 04 201 1084



Fixing flange

61 04 600 0182