



Identification	Part number	Drawing	Dimensions in mm
----------------	-------------	---------	------------------

HARTING ix Industrial®
connector type A
angled
bottom entry

with solder termination for
AWG 28/7 - 22/7
and conductor diameter of max. 1.55 mm

09 45 181 2580 XL¹⁾

with IDC termination for AWG 28/7 - 26/7
and conductor diameter of 1.1 - 1.25 mm

09 45 181 2581 XL¹⁾

with IDC termination for AWG 28/7 - 24/7
and conductor diameter of 0.95 - 1.05 mm

09 45 181 2582 XL¹⁾

with IDC termination for AWG 28/7 - 22/7
and conductor diameter of 1.4 - 1.6 mm

09 45 181 2583 XL¹⁾

HARTING ix Industrial®
connector type A
angled
top entry

with solder termination for
AWG 28/7 - 22/7
and conductor diameter of max. 1.55 mm

09 45 181 2585 XL¹⁾

with IDC termination for AWG 28/7 - 26/7
and conductor diameter of 1.1 - 1.25 mm

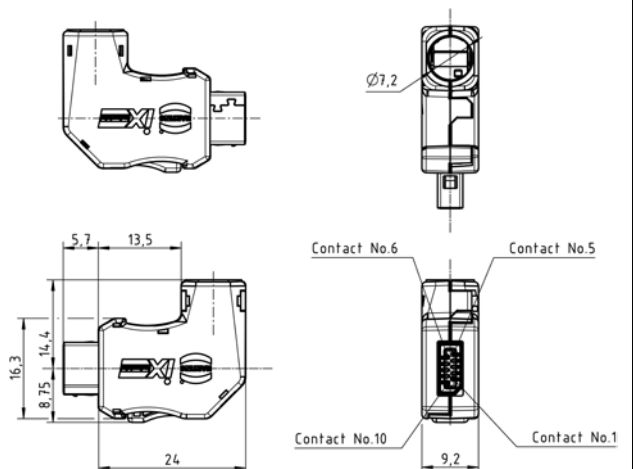
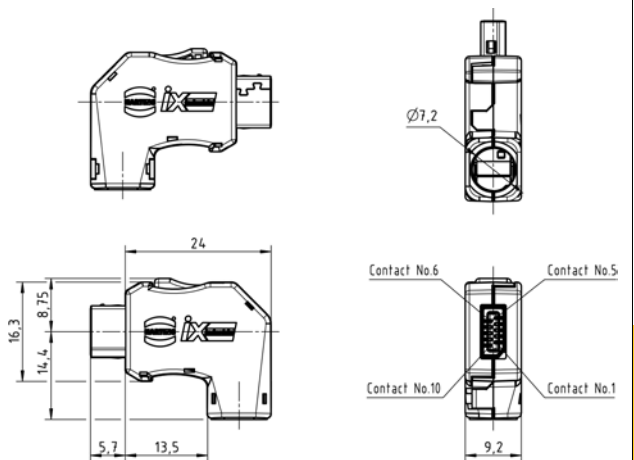
09 45 181 2586 XL¹⁾

with IDC termination for AWG 28/7 - 24/7
and conductor diameter of 0.95 - 1.05 mm

09 45 181 2587 XL¹⁾

with IDC termination for AWG 28/7 - 22/7
and conductor diameter of 1.4 - 1.6 mm

09 45 181 2588 XL¹⁾



¹⁾ Packaging with 100 pieces