

Identification

Part number

Drawing

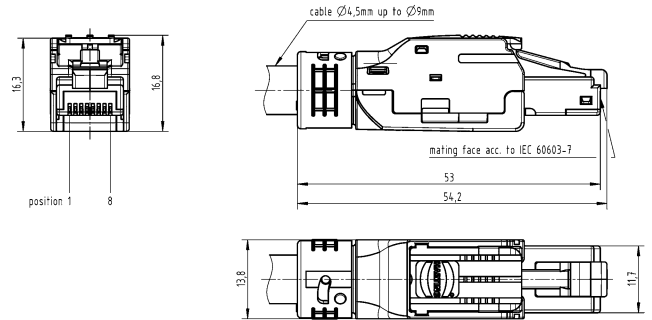
(dimensions in mm)

HARTING RJ Industrial®,

Connector,
Multi Feature RJ45,
Straight,
IDC termination,
Fully shielded, 360° shielding contact



09 45 151 1570

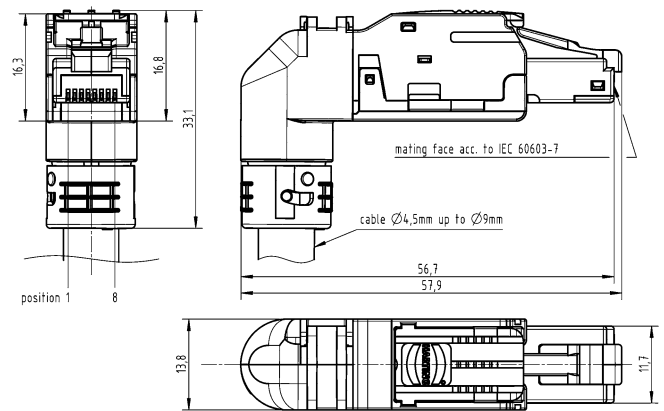


HARTING RJ Industrial®,

Connector,
Multi Feature RJ45,
90° angled,
IDC termination,
Fully shielded, 360° shielding contact



09 45 151 1571



HARTING RJ Industrial®,

Connector,
Multi Feature RJ45,
35° angled,
IDC termination,
Fully shielded, 360° shielding contact

09 45 151 1572

