

Identification

Part number

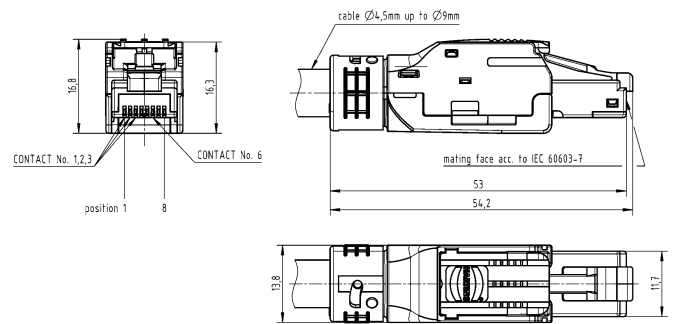
Drawing

(dimensions in mm)

HARTING RJ Industrial®,
Connector,
Multi Feature RJ45,
Straight,
IDC termination,
Fully shielded, 360° shielding contact



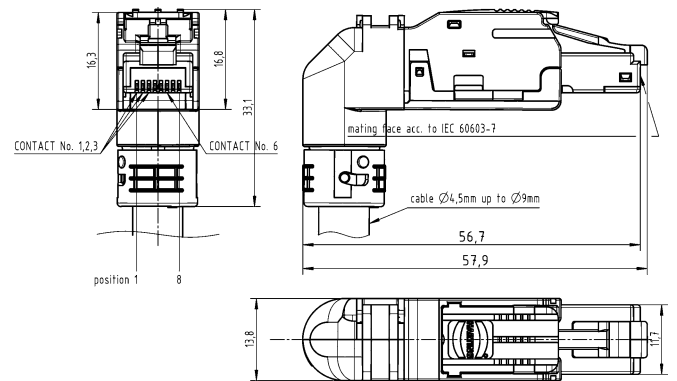
09 45 151 1140



HARTING RJ Industrial®,
Connector,
Multi Feature RJ45,
90° angled,
IDC termination,
Fully shielded, 360° shielding contactt



09 45 151 1141



HARTING RJ Industrial®,
Connector,
Multi Feature RJ45,
35° angled,
IDC termination,
Fully shielded, 360° shielding contactt

09 45 151 1142

