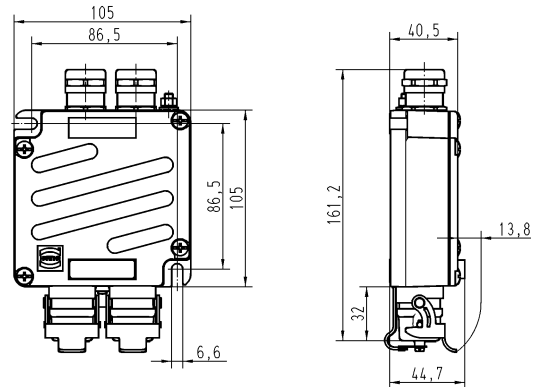


Han® 3 A RJ45 Metal Outlet

Identification	Part number	Drawing	Dimensions in mm
----------------	-------------	---------	------------------

Han® 3 A RJ45 junction box empty ①
 For fixture of 2x RJ45 female inserts

09 45 815 0000



RJ45 female inserts ②

Cat. 5, 4 poles, 10/100 Mbit/s
 IDC for AWG 24-22 solid and stranded

09 45 545 1120

Cat. 6_A, 8 poles,
 10/100 Mbit/s and 1/10 Gbit/s
 IDC for AWG 28-24 solid and stranded

09 45 545 1561

Cat. 6_A, 8 poles,
 10/100 Mbit/s and 1/10 Gbit/s
 IDC for AWG 24-22 solid and stranded

09 45 545 1562

Cat. 6_A, 8 poles,
 10/100 Mbit/s and 1/10 Gbit/s
 preLink® IDC for AWG 23/22
 solid and stranded

20 82 001 0001

Cat. 6_A, 8 poles,
 10/100 Mbit/s and 1/10 Gbit/s
 preLink® IDC for AWG 27/26
 solid and stranded

20 82 001 0002

Cat. 6_A, 8 poles,
 10/100 Mbit/s and 1/10 Gbit/s
 preLink® IDC for AWG 23/22 or
 AWG 27/26 depending on the separately
 orderable preLink® terminal module
 (20 82 000 0001 / 20 82 000 0003)

20 82 000 0002

