

Han® 3 A RJ45  
Metal Outlet, Cat. 5, 8 poles

## Advantages

- Robust metal housing for use in harsh industrial environments
- Simple mounting
- Cable feeding optionally from the left or from the right side
- Lockable Han® 3 A connector ports
- PROFINET compliant

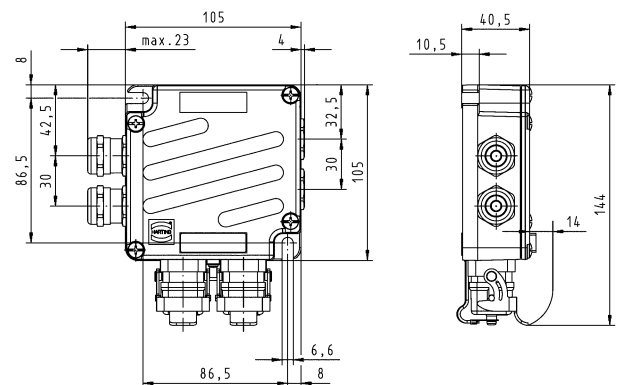
## Technical characteristics

Number of ports, Copper / Termination	2 x Han® 3 A (V5) RJ45 (IP65/IP67)
Transmission performance	Category 5 / Class D up to 100 MHz according to ISO/IEC 11 801:2002, EN 50 173-1
Transmission rate	10/100 Mbit/s
Termination	LSA-PLUS module, terminating via LSA-PLUS tool
Strand diameter	AWG 26 ... 22 (0.35 mm ... 0.65 mm) solid and stranded
Strand insulation	0.7 mm ... 1.6 mm
Cable diameter	5 mm ... 9 mm
Shielding	Fully shielded, 360° shielding contact
Mounting	Wall mounting
Dimensions (H x W x D)	105 x 105 x 40.5 mm
Degree of protection	IP65/IP67
Operating temperature range	-40 °C ... +70 °C
Housing material	Aluminium, die-cast
Colour	Grey RAL 7037

Identification	Part number	Drawing	Dimensions in mm
----------------	-------------	---------	------------------

Han® 3 A RJ45  
Metal Outlet, Cat. 5

09 45 815 1100



consisting of:  
2-port metal housing with protection caps, cable glands and blanking piece  
PCB module with LSA-PLUS strips  
Label  
Assembly instructions