



Han® 3 A RJ45 connector

Identification Part number Drawing Dimensions in mm

Han® 3 A RJ45 connector inserts

①

Cat. 5, 4 poles, 10/100 Mbit/s IDC for AWG 24-22 solid and stranded

09 45 100 1100

Cat. 5, 4 poles, 10/100 Mbit/s IDC for AWG 26-24 solid and stranded

09 45 100 1110

Cat. 6, 8 poles, 10/100 Mbit/s and 1/10 Gbit/s IDC for AWG 27-22 solid and stranded

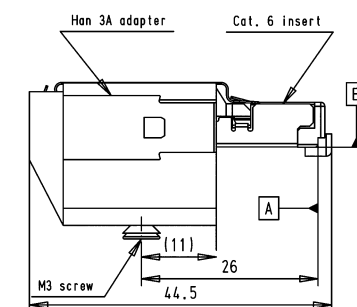
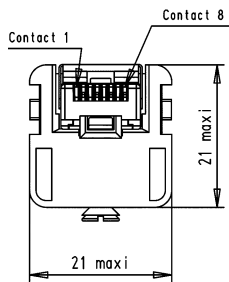
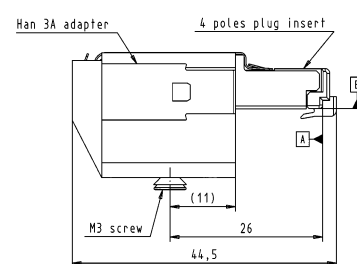
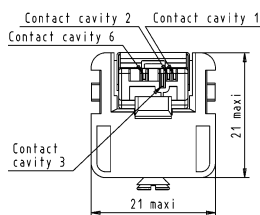
09 45 100 1560

Cat. 6_A, 8 poles, 10/100 Mbit/s and 1/10 Gbit/s piercing termination for AWG 28-26 stranded

09 45 100 1520

Cat. 6_A, 4/8 poles, 10/100 Mbit/s and 1/10 Gbit/s preLink® IDC for AWG 23/22 or AWG 27/26 depending on the separately orderable preLink® terminal module (20 82 000 0001 / 20 82 000 0003)

20 82 002 0001



Han® 3 A connector housing M20 (with glued seal)

②

straight cable entry:

- metal, grey
- metal, black
- plastic, grey
- plastic, black
- metal, EMC
- stainless steel

19 20 003 1443
19 37 003 1443
19 20 003 0423
19 20 003 0423
19 62 003 1443
19 44 003 1443

angled cable entry:

- metal, grey
- metal, black
- plastic, grey
- plastic, black
- metal, EMC
- stainless steel

19 20 003 1643
19 37 003 1643
19 20 003 0623
19 20 003 0626
19 62 003 1643
19 44 003 1643

