


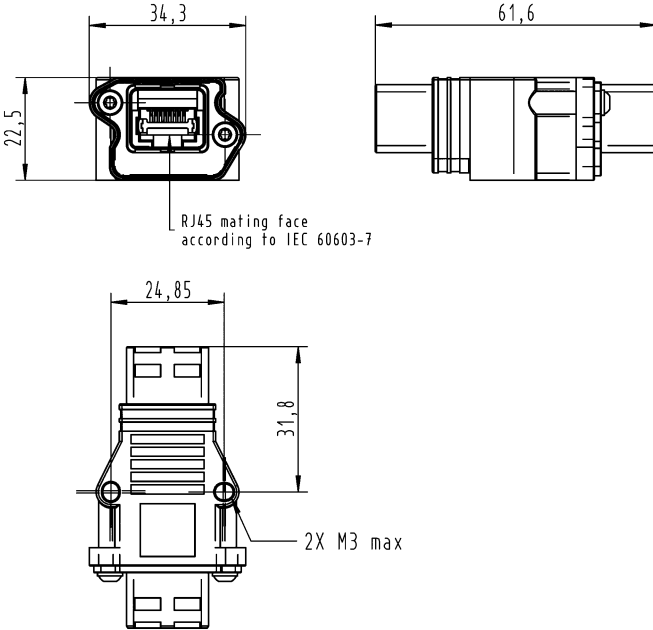
HARTING PushPull acc. to IEC 61 076-3-106 variant 4
RJ45 – bulkhead

Advantages

- Small, space-saving PushPull Interfaces in IP65/IP67
- Easy connection of PushPull RJ45 system cords
- Screwable with 2 x M3 screws

Technical characteristics

| | |
|---|--|
| Locking | PushPull Technology acc. to IEC 61 076-3-106 variant 4 |
| Number of contacts | 8 |
| Transmission category | Cat. 6, performance class E _A , suitable for 1/10 Gigabit Ethernet |
| Transmission rate | 10/100 Mbit/s 1/ 10 Gbit/s |
| Shielding | fully shielded, 360° shielding contact |
| Mating cycles | min. 750 |
| Degree of protection | IP65/IP67 |
| Temperature range | -40 °C ... +70 °C |
| Housing material | Plastic, black |
| Flammability acc. to UL 94 | V0 |
|  | UL approval (E102079) |

| Identification | Part number | Drawing | Dimensions in mm |
|-------------------------------------|----------------|--|--|
| HARTING PushPull RJ45 – bulkhead | 09 45 345 1560 |  <p>RJ45 mating face according to IEC 60603-7</p> <p>2X M3 max</p> | <p>34,3</p> <p>22,5</p> <p>61,6</p> <p>24,85</p> <p>31,8</p> |