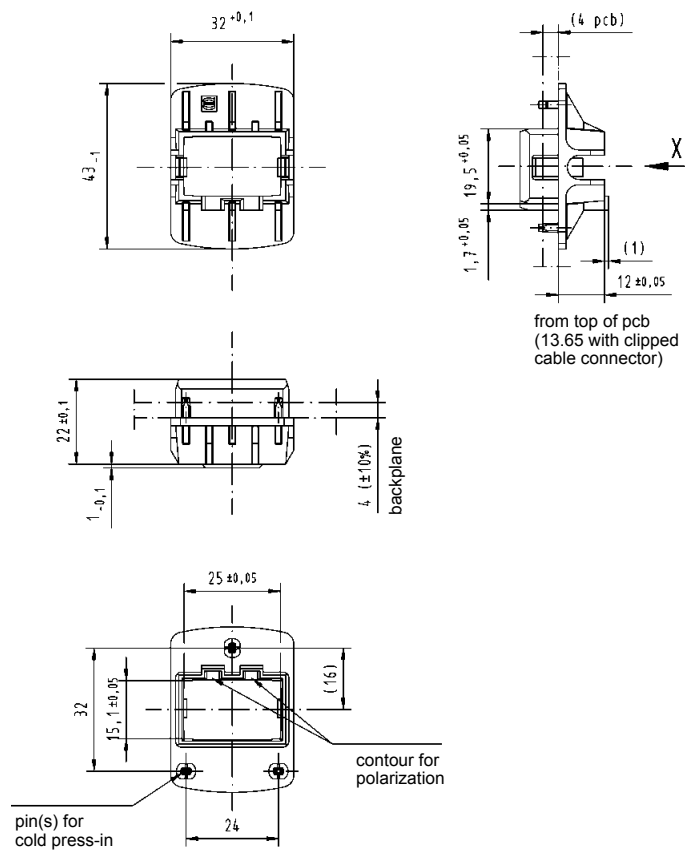


## Accessories

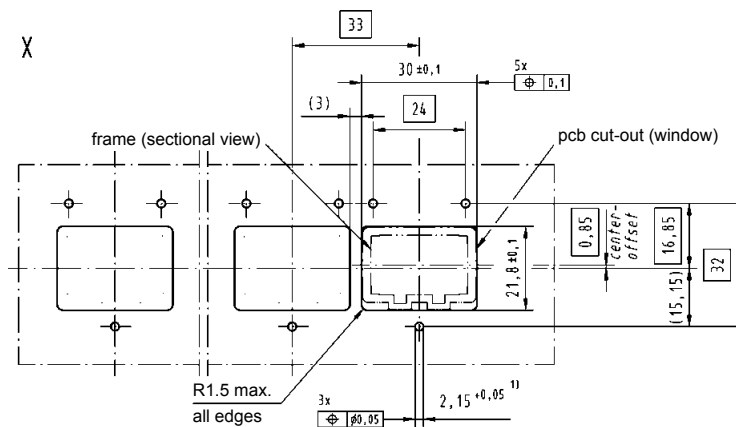
Identification	Part number
----------------	-------------

Backplane frame	07 71 100 0042
-----------------	----------------

## Dimensions [mm]



## Board drillings



1) Non-metallized drillings