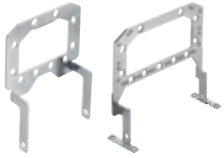
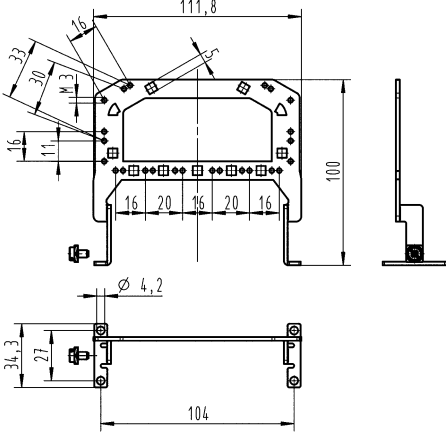



Technical characteristics

Material (accessories) Metal

Technical characteristics

Surface (accessories) Zinc plated
RoHS compliant

Identification	Size	Part number	Drawing (dimensions in mm)
<p>Grip frame</p>  <p>Can only be used with screw adapter!</p>	<p>16 B 24 B</p>	<p>09 00 016 5603 09 00 024 5601</p>	
<p>Grip frame, With screw adapter and screw to use in connection with 09 00 000 5602</p> 	<p>16 B 24 B</p>	<p>09 00 016 5612 09 00 024 5611</p>	