



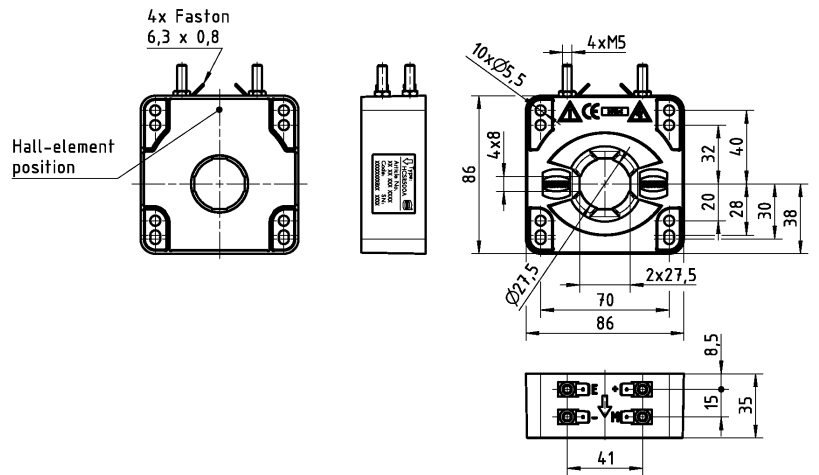
$I_{PN} = 500 \text{ A}$

Identification                      Part number                      Drawing                      Dimensions in mm

### HCMR 500 A

Connection:  
4 x screw termination with  
Faston 6.3 mm x 0.8 mm,  
4 x hexagonal nuts included

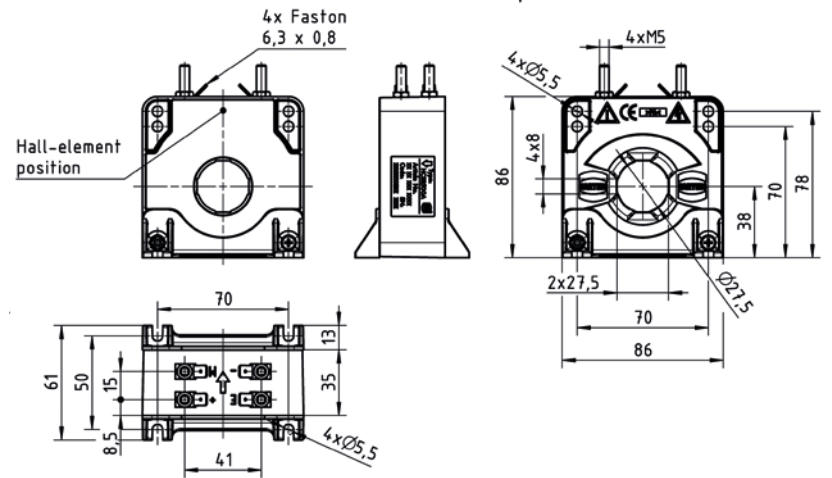
20 31 050 9101



### HCMR 500 A with feet

Connection:  
4 x screw termination with  
Faston 6.3 mm x 0.8 mm,  
4 x hexagonal nuts included

20 31 050 8101



### HCMR 500 A M12 with feet

Connection:  
M12, A-coded, 5 pins

20 31 050 8102

