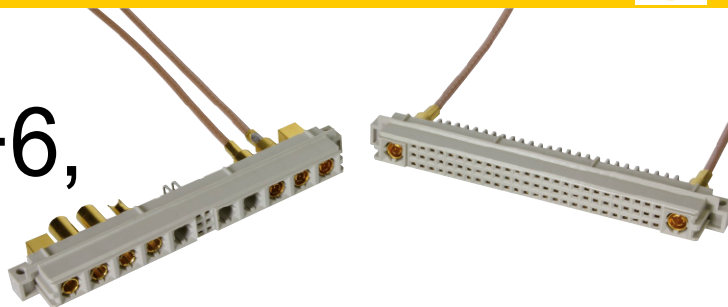


Number of contacts

78+2, 60+4, 42+6, 24+8, 6+10

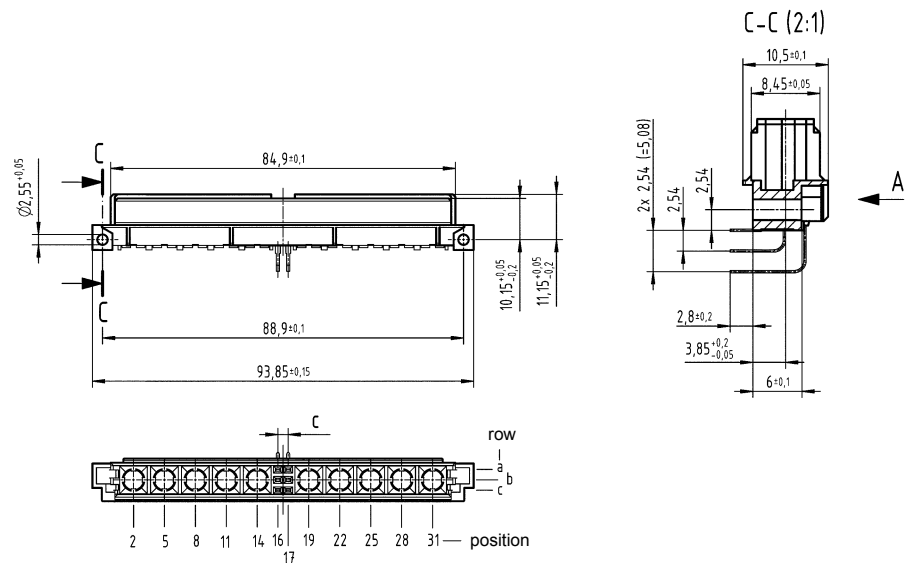


Female connectors

DIN Signal up to 2 A

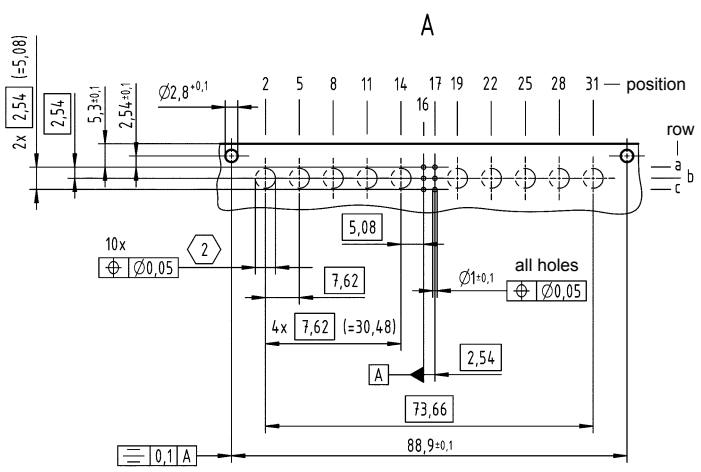
Identification	No. of contacts	Contact arrangement	Part number 3	Performance levels according to IEC 60 603-2. Explanation chapter 00	2	1
Female connector with angled solder pins (without special contacts)*	78 + 2		Performance level 3 on request	09 73 278 6801	Performance level 1 on request	
	60 + 4			09 73 260 6801		
	42 + 6			09 73 242 6801		
	24 + 8			09 73 224 6801		
	6 + 10			09 73 206 6801		

Dimensions



Order high current, high voltage, coaxial and fibre optic contacts separately

Board drillings
Mounting side



Type	c
78 + 2	25 x 2.54 = 63.5
60 + 4	19 x 2.54 = 48.26
42 + 6	13 x 2.54 = 33.02
24 + 8	7 x 2.54 = 17.78
6 + 10	1 x 2.54 = 2.54

Dimensions in mm

01
50

Board drillings depend on type and special contact loading

* Pre-loaded with special contacts on request