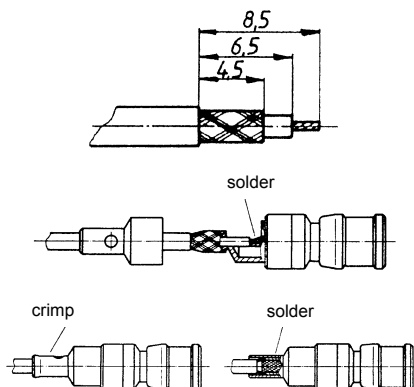


Coaxial contacts

Identification	Part number Performance level 1	Drawing	Dimensions in mm						
Male coaxial contacts for female connectors (I) for straight solder and/or crimp termination (II) for angled solder and/or crimp termination (III) for straight pcb termination for type M-flat for type M (IV) for angled pcb termination for type M invers	acc. to DIN 41626 09 03 000 6160 09 03 000 6181 ¹⁾ 09 03 000 6161 09 03 000 6182 09 03 000 6165 09 03 000 6162		<table border="1"> <thead> <tr> <th></th> <th>X</th> </tr> </thead> <tbody> <tr> <td>6165</td> <td>16.05</td> </tr> <tr> <td>6182</td> <td>14.2</td> </tr> </tbody> </table>		X	6165	16.05	6182	14.2
	X								
6165	16.05								
6182	14.2								
Female coaxial contacts for male connectors (V) for straight solder and/or crimp termination (VI) for angled solder and/or crimp termination (VII) angled for pcb termination straight for pcb termination for type M invers	09 03 000 6260 09 03 000 6281 ¹⁾ 09 03 000 6274 ²⁾ 09 03 000 6261 09 03 000 6262 09 03 000 6269 ¹⁾ 09 03 000 6263 ²⁾ 09 03 000 6265								

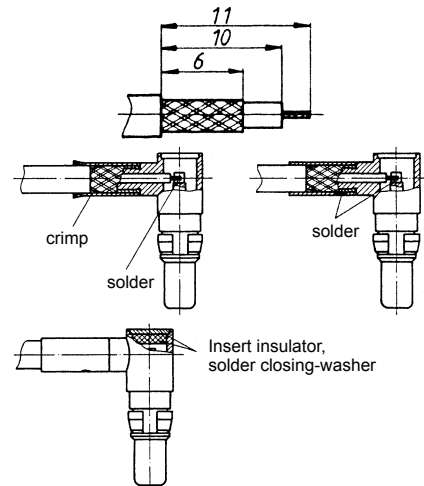
Assembly instruction for contacts

(I) and (V)



for contacts

(II) and (VI)



1) Coaxial contact 75 Ω
 2) With knurled area for permanent fixing, not removable
 Fibre optic contacts on request