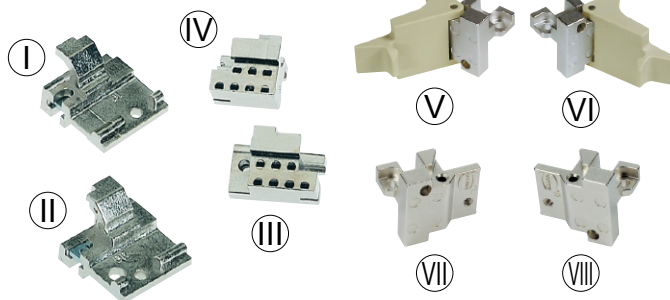


# Shell housing D 20 metal HF for types F, H and MH



Identification                      Part number                      Drawing                      Dimensions in mm

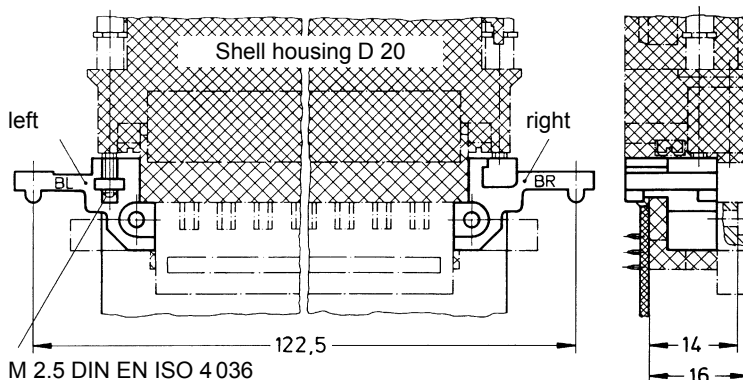
Fixing brackets B  
metallised  
for male connectors  
for 19" racks according  
to DIN EN 60 297,  
part 3-101

Single fixing

with nut  
M 2.5  
DIN EN ISO 4 036



left  
20 mm  
09 06 901 9924<sup>f)</sup>  
  
right  
20 mm  
09 06 901 9925<sup>f)</sup>

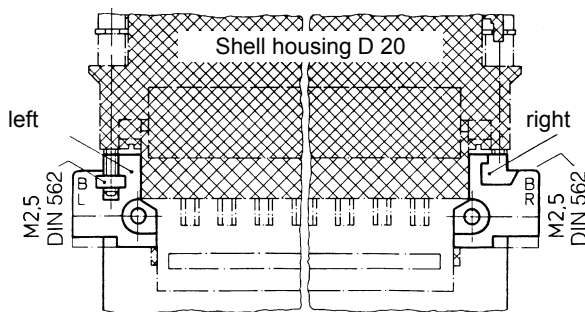


Multiple fixing

with coding  
at fixing bracket  
with nut  
M 2.5 DIN 562



left  
20 mm  
09 06 900 9997<sup>f)</sup>  
  
right  
15 mm  
09 06 900 9996<sup>f)</sup>



Shell housings

Fixing brackets B  
metal  
for male connectors  
for 19" racks according  
to DIN EN 60 297,  
part 3-101

Single fixing

with ejector  
handle

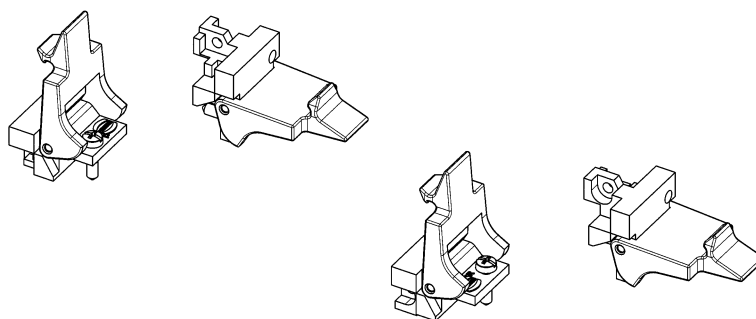


left  
09 06 800 9946  
  
right  
09 06 800 9948

without ejector  
handle



left  
09 06 800 9966  
  
right  
09 06 800 9968



20  
-  
32

<sup>f)</sup> Railway classification NFF 16-101, Smoke index: F1, Flammability class: I2