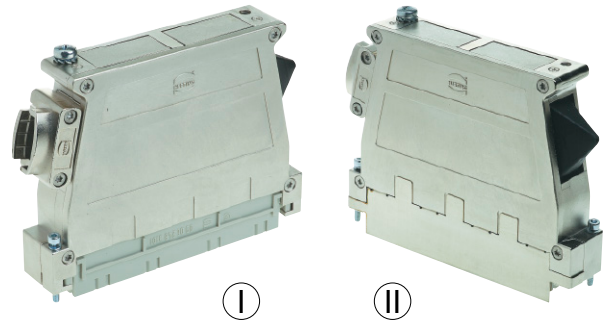


# Shell housing D 20 metal for types F, H and MH



Identification                      Part number                      Drawing                      Dimensions in mm

Shell housing  
D 20 metal

ⓘ

Supplied with:

Shell with coding                      1x

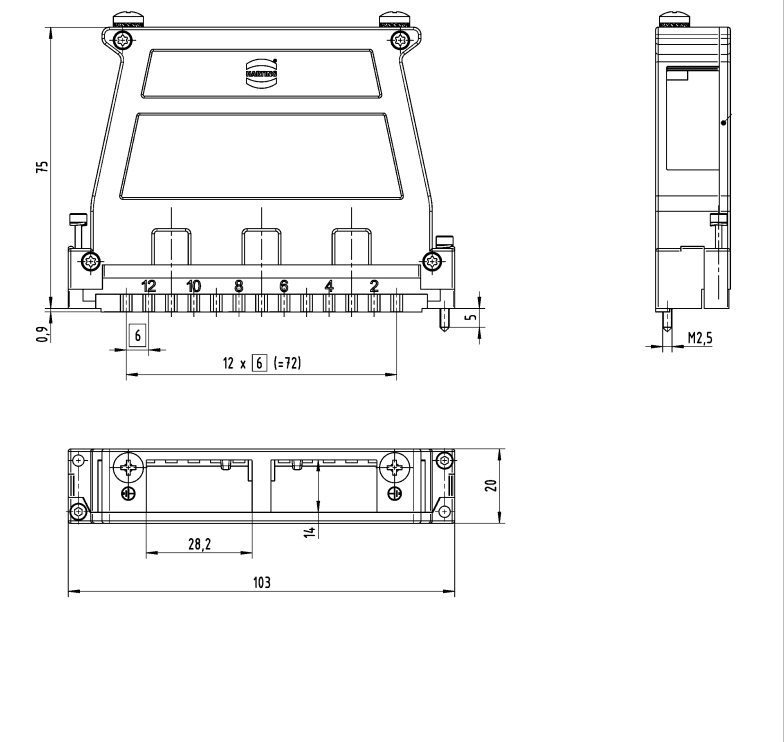
Cover    1x

Locking screw  
(hexagonal)  
M2.5 x 23  
(09 06 800 9953)                      2x

Screw (torx)  
M2.5 x 10  
(09 06 800 9960)                      4x

Earth screw  
M4 x 8  
(09 06 800 9958)                      2x

09 06 848 0550



Shell housings

Shell housing  
D 20 metal HF  
with nickel-plated  
surface

Ⓜ

Supplied with:

Shell with coding  
and HF-sealing spring                      1x

Cover  
with shielding plate                      1x

Locking screw  
(hexagonal)  
M2.5 x 23  
(09 06 800 9953)                      2x

Screw (torx)  
M2.5 x 10  
(09 06 800 9960)                      4x

Earth screw  
M4 x 8  
(09 06 800 9958)                      2x

09 06 848 0551

