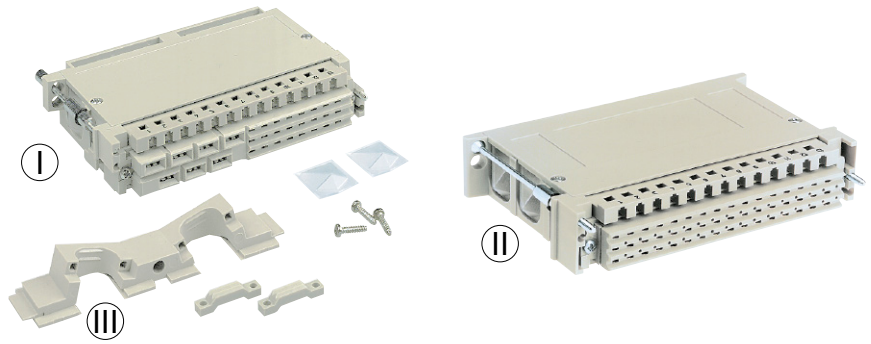


Shell housing D 20 for types F, H and MH

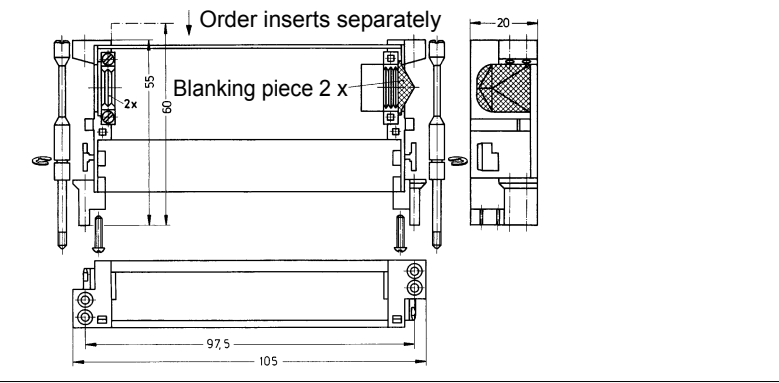


Identification Part number Drawing Dimensions in mm

Shell housing
D 20/2
Two side
cable entries

I

20 mm
09 06 048 0521

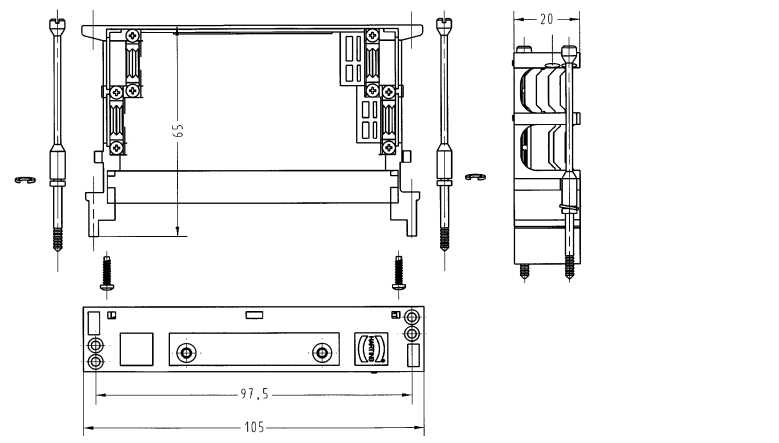


Shell housing
D 20/4
Four side
cable entries

II

Supplied with:
Shell 1x
Cover 1x
Locking screw 2x
(09 06 000 9920)
Locking washer 2.3 2x
Screw BZ 2.2x9.5 12x
Blinding piece 3x
Cable clamp 2x

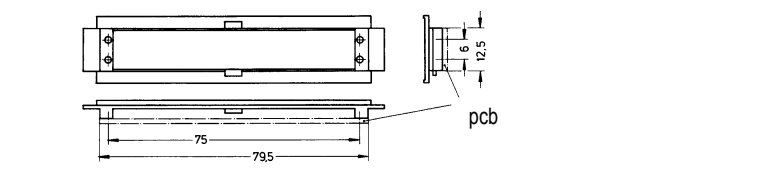
20 mm
09 06 048 0522



Inserts e. g. for LED*

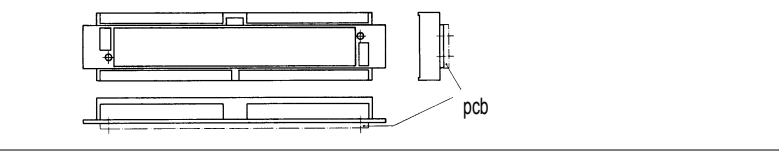
for 55 mm height

09 06 000 9986



for 60 mm height

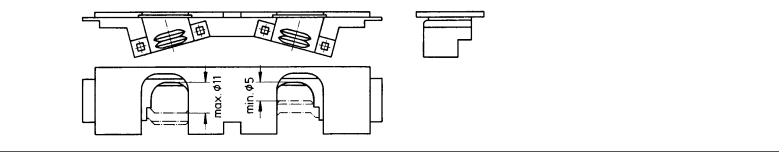
09 06 000 9987



Round cable insert*
2 x ø 11

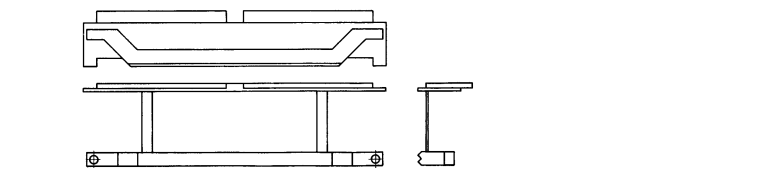
III

09 06 000 9988



Flat cable insert*

09 06 000 9989



Shell housings

20
-
22

* Fits D 20/2
Railway classification NFF 16-101, Smoke index: F1, Flammability class: I2