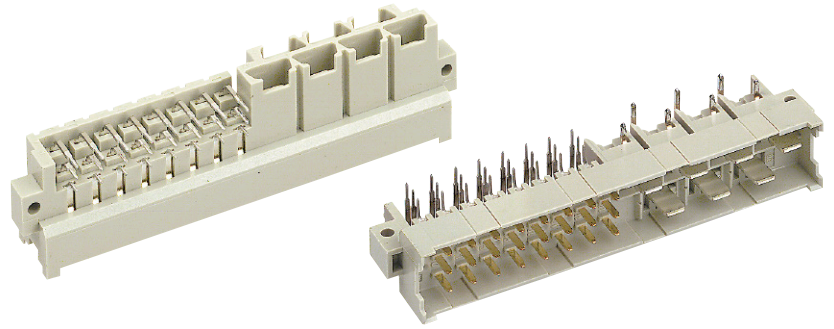


Number of contacts

24 + 7
F + H

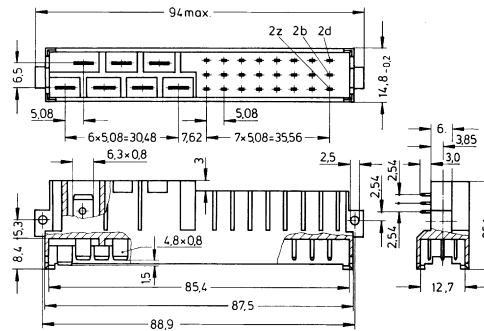


Male connectors

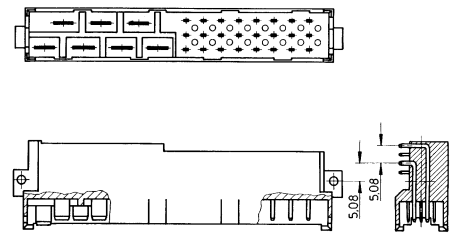
Identification	No. of contacts	Part number	Performance levels according to IEC 60 603-2. Explanation chapter 00	
			3	2 1
Male connector for faston 6.3 x 2.5 1 leading contact (position z 32) 2 leading contacts (position z 2 + z 32)	24 + 7		09 06 031 6921 ^{f)}	09 06 031 2921 ^{f)}
	24 + 7		09 06 031 6923 ^{f)}	
Male connector with angled solder pins ¹⁾ 1 leading contact (position z 32) 2 leading contacts (position z 2 + z 32)	24 + 7		09 06 131 6922	
	24 + 7		09 06 131 6924 09 06 331 6924 ^{b)}	

DIN Power up to 15 A

Faston terminal

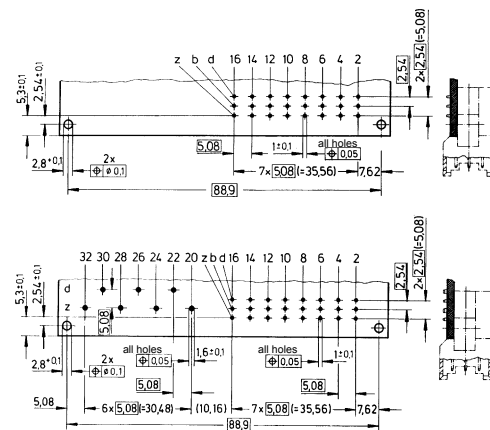


Angled solder pins

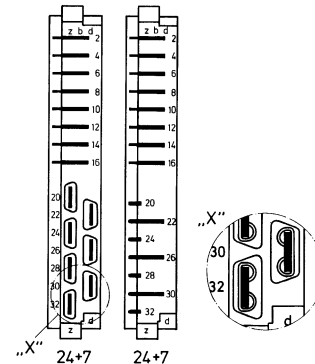


Board drillings

Mounting side



Contact arrangement
View from termination side



Dimensions in mm

¹⁾ With shroud coding, see chapter 00
^{b)} Connector with fixing clip see chapter 00
^{f)} Railway classification NFF 16-101, Smoke index: F1, Flammability class: I2