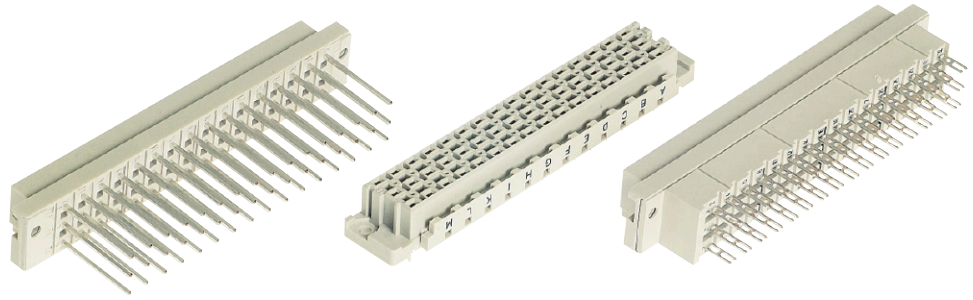


Number of contacts

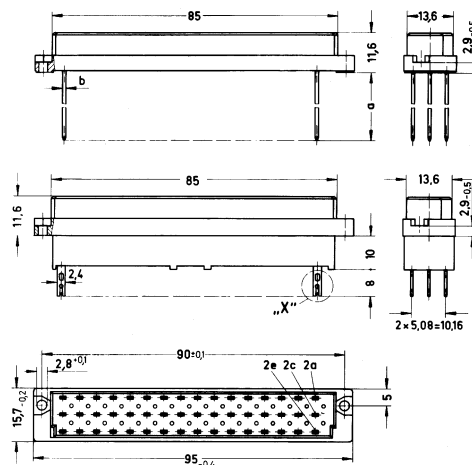
48



Female connectors

Identification	No. of contacts	Contact arrangement	Part number 3	Performance levels according to IEC 60603-2. Explanation chapter 00 2	1
Female connector with solder pins 2.9 mm	48		09 05 248 7832	09 05 248 6832	09 05 248 2832
4.5 mm	48			09 05 248 6831 09 05 348 6831 ^{b)} 09 05 748 6831 ^{c)} 09 05 848 6831 ^{b)c)}	09 05 248 2831 09 05 748 2831 ^{c)}
Female connector with wrap posts 20 mm	48		09 05 248 7821	09 05 248 6821	09 05 248 2821
Female connector with solder lugs	48		09 05 248 7823	09 05 248 6823	09 05 248 2823
Female connector with press-in pins 4.5 mm	48				09 05 248 2854
11.5 mm	48			09 05 248 6851 [•]	09 05 248 2851 [•]

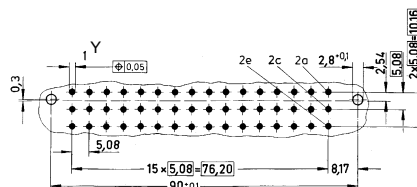
Dimensions



a	b	
2.9	0.8 x 0.53	Solder pins
4.5	0.8 x 0.53	Wrap posts
20	□ 1	Wrap posts
4.5	0.6 x 0.6	Press-in pins
11.5	0.6 x 0.6	Press-in pins

Solder lugs

Board drillings
Mounting side



	Y
Solder	1 ± 0.1
Press-in	see recommendation page 00.25

Dimensions in mm

• Wrap posts for interfacing selectively gold plated (performance level 2)
^{b)} Connectors with snap-in clips see chapter 00
^{c)} Connectors with coding see chapter 00