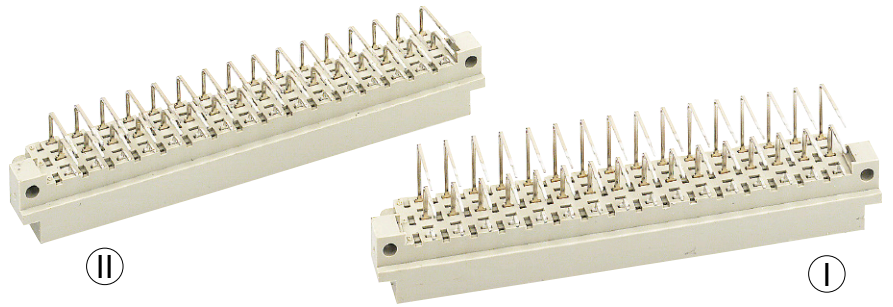


Number of contacts

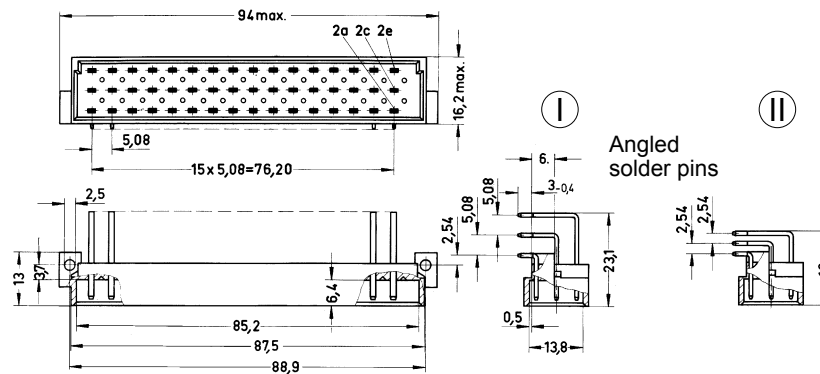
48



Male connectors

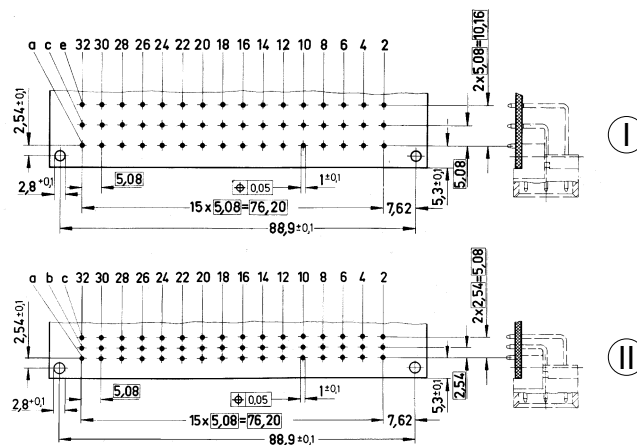
Identification	No. of contacts	Contact arrangement	Part number	Performance levels according to IEC 60603-2. Explanation chapter 00		
				3	2	1
Male connector with angled solder pins Row separation termination side 5.08 mm ① Row separation termination side 2.54 mm ② THR	48		09 05 148 7921	09 05 148 6921 09 05 348 6921 ^{b)} 09 05 648 6921 ^{c)} 09 05 848 6921 ^{b)c)}	09 05 148 2921 09 05 648 2921 ^{c)}	
	46 + 2▲			09 05 148 6951		
	48		09 05 148 7931	09 05 148 6931 09 05 348 6931 ^{b)} 09 05 648 6931 ^{c)}	09 05 148 2931	
	48			09 05 148 6920 ^{d)} 09 05 348 6920 ^{b)d)}		
	46 + 2▲			09 05 148 6961		

Dimensions



Board drillings

Mounting side



Dimensions in mm

▲ Male connectors with 2 leading contacts [(0.8 mm) pos. a2 and a32]
Other contact arrangements on request

^{b)} Connectors with snap-in clips see chapter 00
^{c)} Connectors with coding see chapter 00
^{d)} CTI > 400

DIN Power
up to 6 A