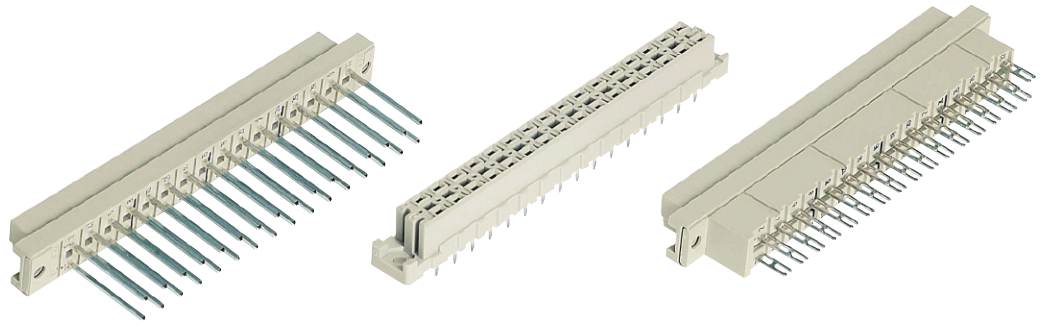


Number of contacts

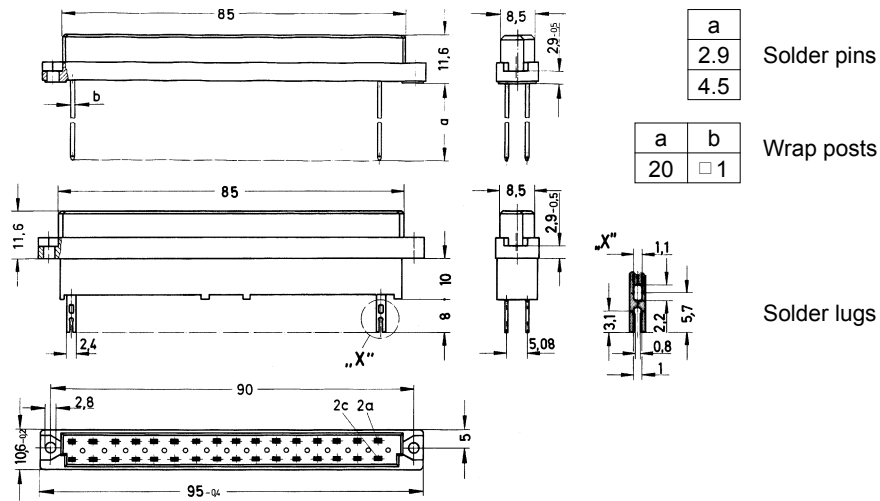
# 32



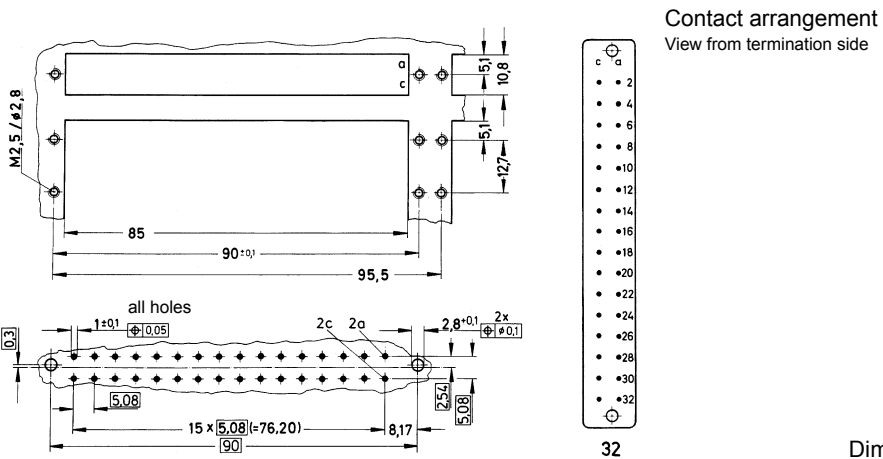
Female connectors

Identification	No. of contacts	Contact arrangement	Part number	Performance levels according to IEC 60603-2. Explanation chapter 00		
			3	2	1	
Female connector with solder pins 2.9 mm	32		09 04 232 7832	09 04 232 6832 09 04 732 6832 <sup>c)</sup>	09 04 232 2832	
Female connector with solder pins 4.5 mm	32		09 04 232 7831	09 04 232 6831 09 04 332 6831 <sup>b)</sup> 09 04 732 6831 <sup>c)</sup>	09 04 232 2831	
Female connector with wrap posts 20 mm	32		09 04 232 7821	09 04 232 6821 09 04 732 6821 <sup>c)</sup>	09 04 232 2821	
Female connector with solder lugs	32		09 04 232 7823	09 04 232 6823	09 04 232 2823	

Dimensions



Panel cut out



Dimensions in mm

<sup>b)</sup> Connectors with snap-in clips see chapter 00  
<sup>c)</sup> Connectors with coding see chapter 00