



har-port RJ45 coupler

Advantages

- Compact and well-shaped service interface in a timeless attractive design
- Easy mounting
- Transmission category 6, performance class E_A, suitable for 1/10 Gigabit Ethernet
- Compact and robust design
- Practical accessories

Technical characteristics

Number of ports	2x RJ45
Transmission performance	Category 6 / class E _A acc. to ISO/IEC 11 801:2002, EN 50 173-1
Transmission rate	10/100 Mbit/s and 1/10 Gbit/s
Shielding	Fully shielded, 360° shielding contact
Mounting	Screwable in cover plates
Degree of protection	IP20
Mating cycles	min. 750
Temperature range	-25 °C ... +70 °C
Housing material	Polyamide

Identification

Part number

Drawing

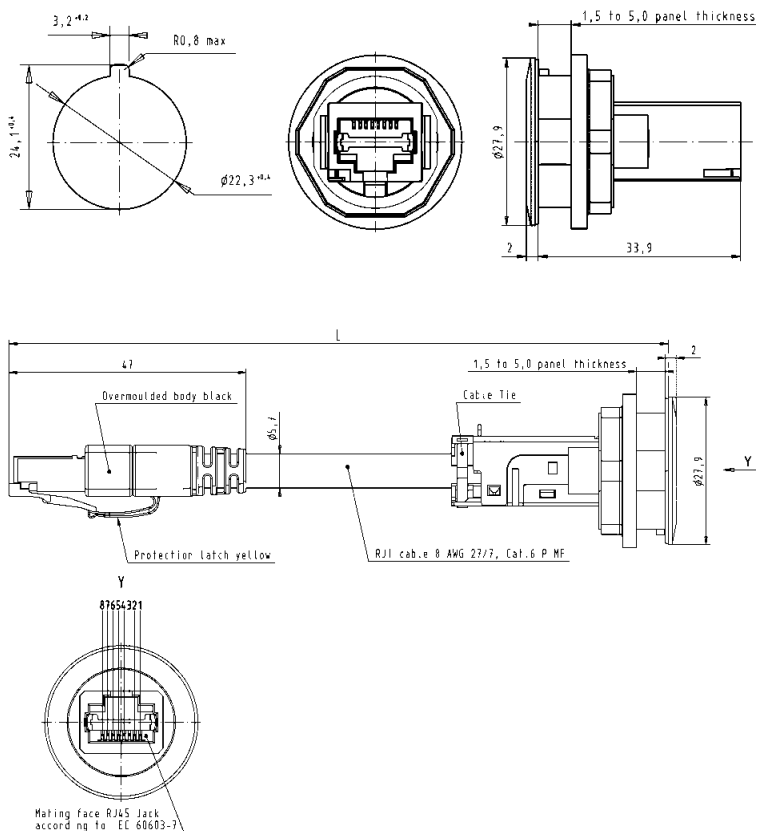
Dimensions in mm

har-port RJ45 Cat. 6 coupler

09 45 452 1560

har-port RJ45 Cat. 6 coupler with cable

Length:	0.15 m	09 45 452 1500
	0.2 m	09 45 452 1501
	0.3 m	09 45 452 1502
	0.4 m	09 45 452 1503
	0.5 m	09 45 452 1504
	0.6 m	09 45 452 1505
	0.7 m	09 45 452 1506
	0.8 m	09 45 452 1507
	0.9 m	09 45 452 1508
	1.0 m	09 45 452 1509
	1.5 m	09 45 452 1510
	2.0 m	09 45 452 1511
	2.5 m	09 45 452 1512
	3.0 m	09 45 452 1513
	3.5 m	09 45 452 1514
	4.0 m	09 45 452 1515
	5.0 m	09 45 452 1516
	7.5 m	09 45 452 1517
	10.0 m	09 45 452 1518



har-port HIFF coupler housing (for all HIFF compatible modules)

09 45 452 0000