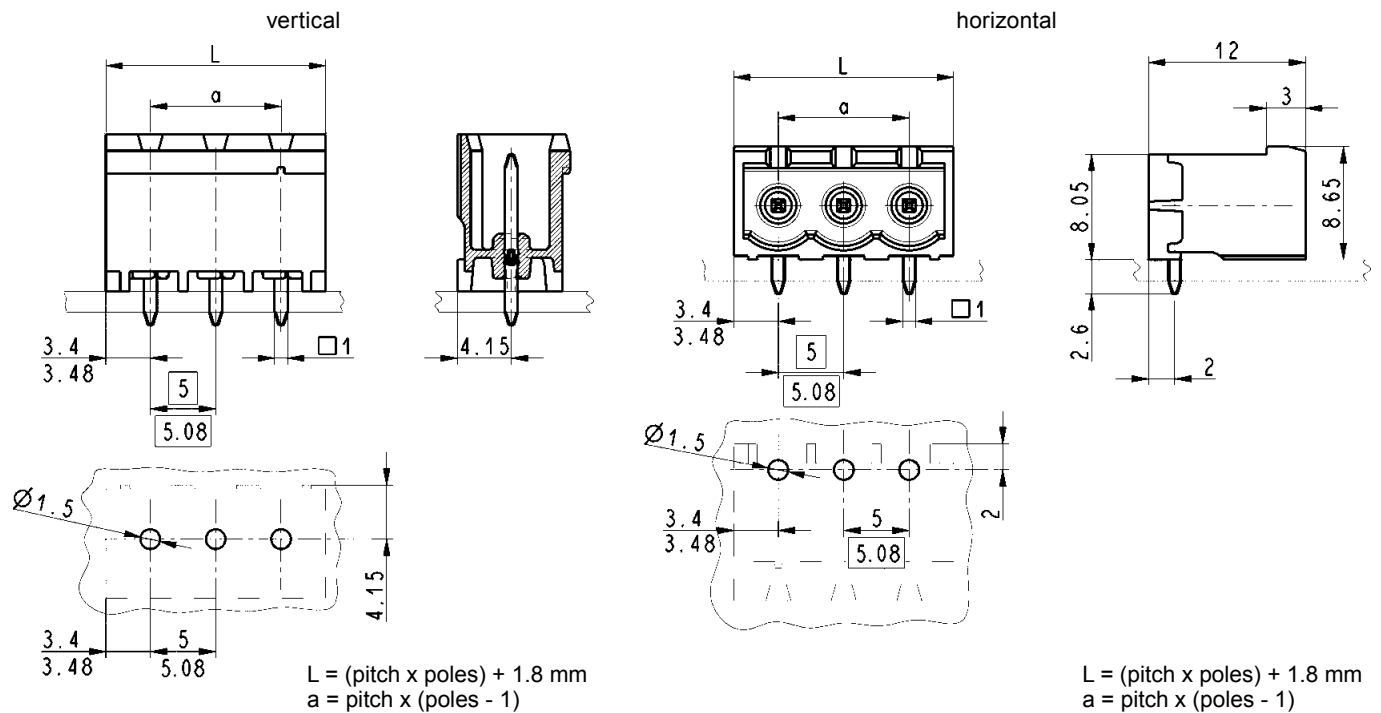


PCB connectors male, vertical/horizontal for reflow soldering pitch 5.00 / 5.08 mm

Drawing

Dimensions in mm

Dimensions



Technical characteristics

Technical data

Rated current 15 A
Pitch 5.00 mm / 5.08 mm

Surge voltage category / pollution degree	III/3	III/2	II/2
Rated voltage	250 V	300 V	600 V
Rated surge voltage	4 kV	4 kV	4 kV

Material data

Group of insulation material I
Type of insulation material PA / PPA
Flammability rating per UL 94 V0
Operating temperature -40 °C ... +110 °C
Contact material copper alloy
Contact plating tin plated
UL approval (E 102079)



Solder pin data

Solder pin: drilled hole diameter 1.5 mm

Approval data (UL)

Use group	B	C	D
Rated voltage	300 V	–	300 V
Rated current	15 A	–	15 A