

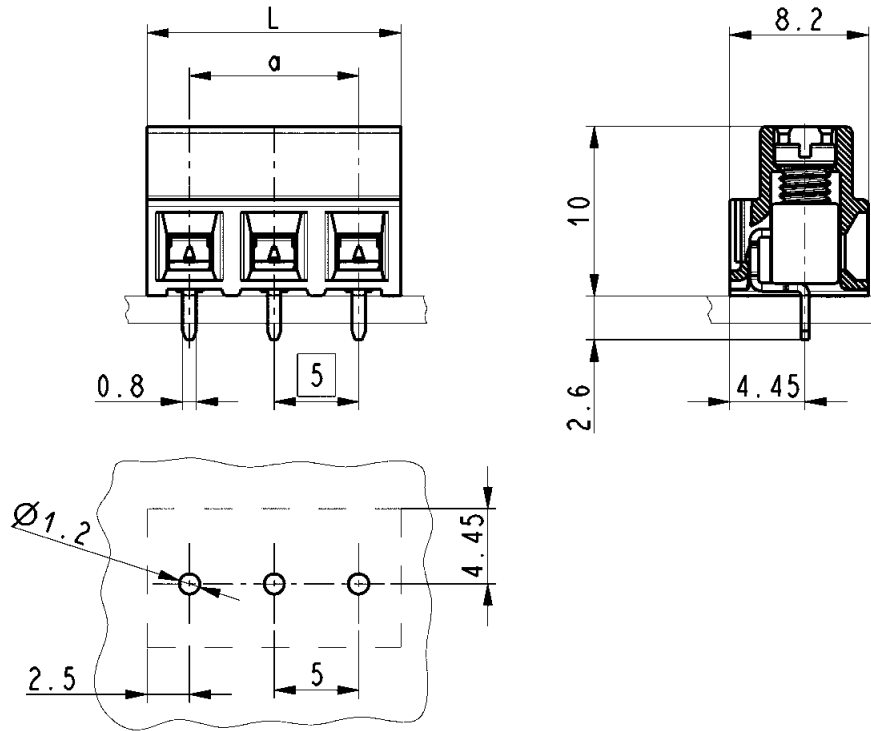


PCB terminal blocks,
horizontal with screw termination
for reflow soldering
pitch 5.00 mm

Drawing

Dimensions in mm

Dimensions



L = pitch x poles
a = pitch x (poles - 1)

Technical characteristics

Technical data

Rated current 13.5 A
Pitch 5.00 mm

Surge voltage category /
pollution degree

III/3	III/2	II/2
220 V	300 V	600 V
4 kV	4 kV	4 kV

Rated voltage

Rated surge voltage

Material data

Group of insulation material I
Type of insulation material PA / PPA
Flammability rating per UL 94 V0
Operating temperature -40 °C ... +110 °C
Contact material copper alloy
Contact plating tin plated
UL approval (E 102079)



Conductor and solder pin data

Connection technology wire screw termination
Conductor size solid / stranded 0.05 - 1.5 / 0.05 - 1.0 mm²
stranded with ferrules without / with plastic sleeve 0.50 - 1.5 / 0.10 - 1.5 mm²
Conductor size AWG 30 - 16
Screw thread M3
Tightening torque 0.5 - 0.6 Nm
Stripping length 5.0 - 6.0 mm
Solder pin: drilled hole diameter 1.2 mm

Approval data (UL)

Use group	B	C	D
Rated voltage	300 V	–	300 V
Rated current	13.5 A	–	13.5 A