

Accessories

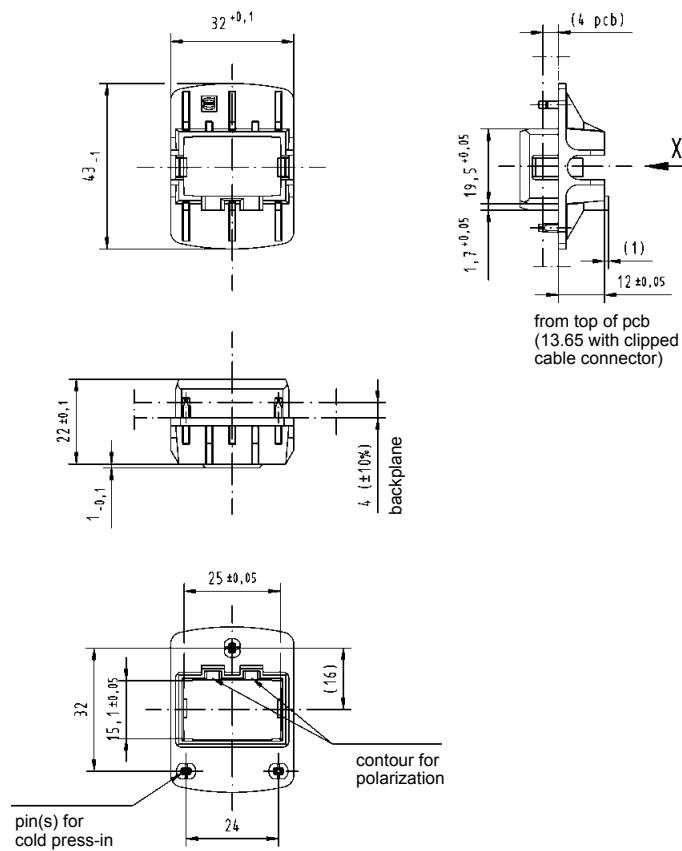
Identification

Part number

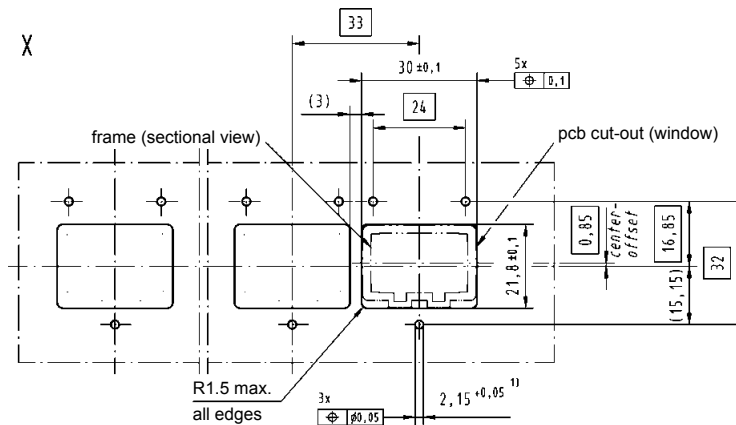
Backplane frame

07 71 100 0042

Dimensions [mm]



Board drillings



¹⁾ Non-metallized drillings