


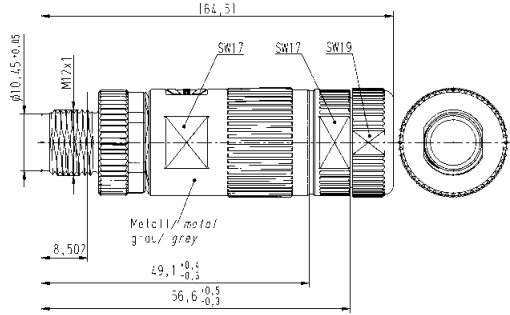

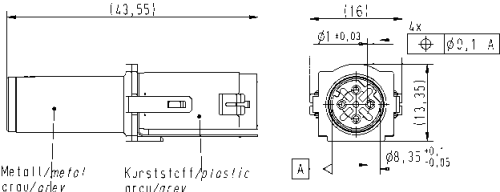
Ha-VIS preLink® M12 connector  
D-coding

## Advantages

- M12 Ethernet-Data connector suitable for industry
- Robust design
- 360° shielding
- Suitable for solid and stranded wires
- Suitable for PoE (IEEE 802.3af) and PoE+ (IEEE 802.3at)

## Technical characteristics

Connector type	M12 D-coding acc. to IEC 61 076-2-101
Number of contacts	4
Transmission category	Category 5, Class D, suitable for 1/10 Gigabit Ethernet
Transmission performance	Category 5 / Class D up to 200 MHz acc. to ISO/IEC 11 801:2002, EN 50 173-1
Transmission rate	10/100 Mbit/s
Shielding	fully shielded, 360° shielding contact
Mounting	IDC termination
Cable termination for preLink® Connectable cables	terminal module, yellow, 20 82 000 0001
– Conductor cross section	AWG 23 ... AWG 22 (solid and stranded)
– Conductor diameter	1.3 ... 1.6 mm
Cable termination for preLink® Connectable cables	terminal module, white, 20 82 000 0003
– Conductor cross section	AWG 27 ... AWG 26 (solid and stranded)
– Conductor diameter	0.8 ... 1.1 mm
Cable diameter	5 ... 9 mm
Degree of protection	IP65 / IP67
Mating cycles	min. 750
Temperature range	-40 °C ... +70 °C
Housing material	Zinc die-cast, nickel-plated

Identification	Part number	Drawing	Dimensions in mm
preLink® M12 housing 	20 82 000 1210		
preLink® M12 male module Male 4 poles, D-coding 	20 82 005 1214		
preLink® M12 connector set D-coding	20 82 005 0001		
Ha-VIS preLink® RJ45 terminal module AWG 22/23, yellow <sup>1)</sup> AWG 26/27, white <sup>1)</sup>	20 82 000 0001 20 82 000 0003		
Ha-VIS preLink® assembly tool	20 82 000 9901		

<sup>1)</sup> Packaging with 10 pieces