

Number of contacts

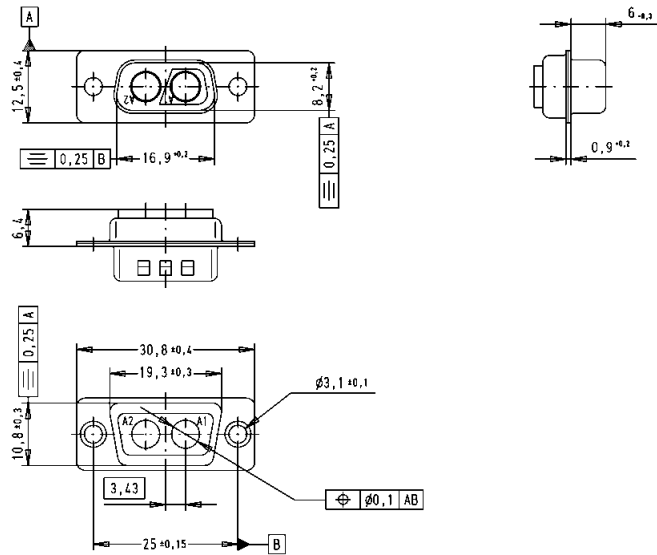
2



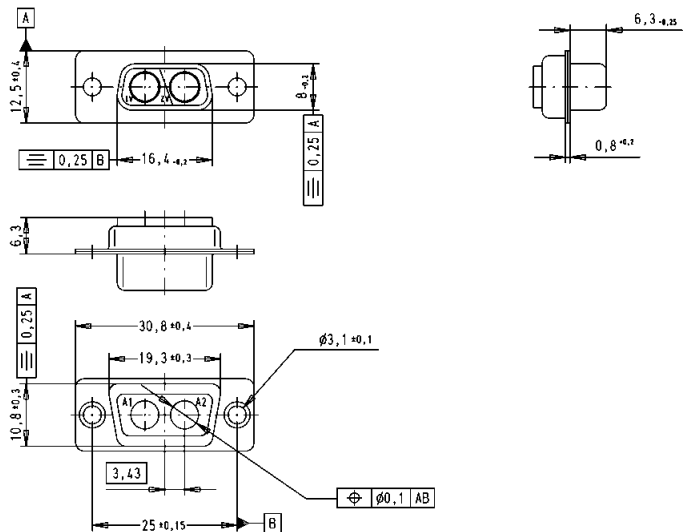
Coded shells without signal contacts for cable applications

Identification	No. of contacts ¹⁾	Part number	
		male connector	female connector
	2W2C	09 69 110 0022	09 69 100 0022

Male connectors



Female connectors



Dimensions in mm

¹⁾ Explanations see page 05.51
 Board drillings see pages 05.78 ff
 Order special contacts separately. See pages 05.69 ff

D-Sub