

thermoplastic / metal

Identification

Part number

Drawing

Dimensions in mm

Housings

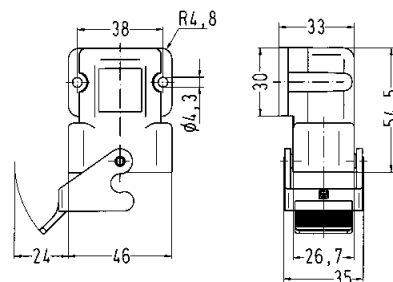
Housings,
bulkhead mounting

Thermoplastic
angled



09 12 008 0902

Pg 16



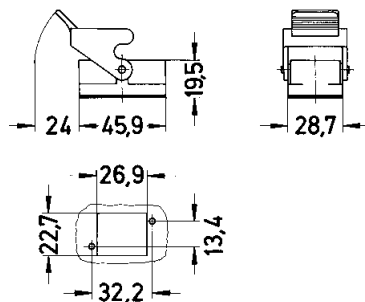
Housings,
bulkhead mounting

Thermoplastic



09 12 008 0327

Pg 16

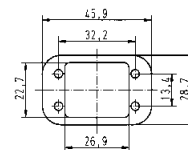


Gasket for housings
bulkhead mounting

Han® Q 8/0



09 12 000 9912



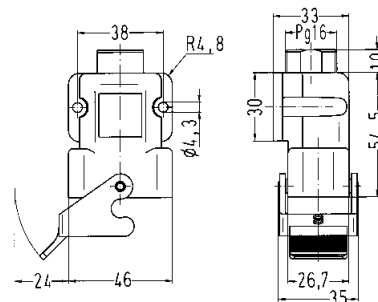
Housings,
surface mounting

Thermoplastic
angled
Cable gland order separately



09 12 008 0901

Pg 16



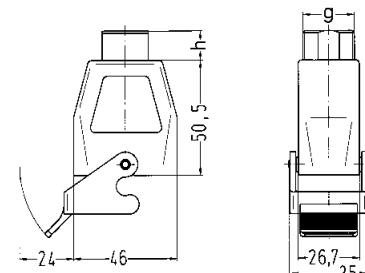
Hoods, cable to cable

Thermoplastic
Cable gland order separately



09 12 008 0727
19 12 008 0729

Pg 16
M 25



h	g
13	Pg 16
14	M 25x1.5