



Han® 3 A RJ45 device side

Advantages

- Simple mounting
- RJ45 plug-compatible
- Different versions cover all applications
- Coding (4 variants) possible

Technical characteristics

Number of ports	2 / 1x Han® 3 A RJ45 (IP65 / IP67)
Copper / termination	1x RJ45 (IP20)
Transmission performance	Category 5 / Class D up to 100 MHz acc. to ISO/IEC 11801:2002, EN 50 173-1
Transmission rate	10/100/1000 Mbit/s
Shielding	fully shielded, 360° shielding contact
Mounting	screw-on type on steel plate walls
Degree of protection	IP65 / IP67
Mating cycles	min. 500
Temperature range	-40 °C ... +70 °C
Housing material	
Plastic version	Polycarbonate, black, UL 94 V0
Metal version	Zinc die-cast, powder coating, grey

Identification

Part number

Drawing

Dimensions in mm

Housing bulkhead mounting

Plastic version, black
Metal version Standard
Metal version M



09 20 003 0327
09 20 003 0301
09 37 003 0301

with fixed cover
and with seal

Metal version Standard
Metal version M



09 20 003 0306
09 37 003 0306

Adapter

for fixing of RJ45 jack
with fixing clip
without fixing clip

09 45 515 0020
09 45 515 0022

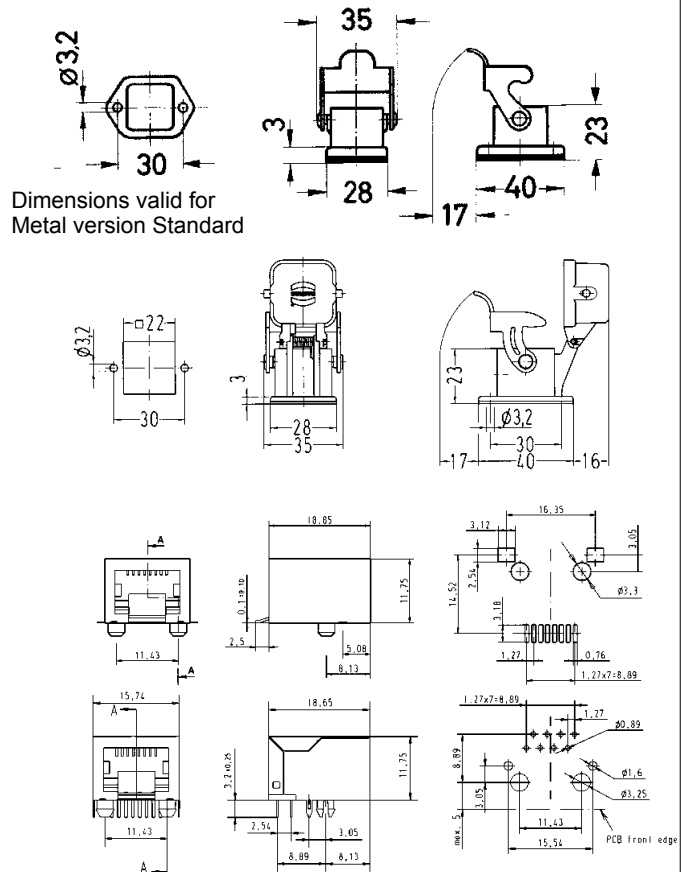
RJ45 jacks Cat. 5

Solder variant SMD,
90° angled

09 45 551 1100¹⁾
09 45 551 1110²⁾

Solder variant overmolded,
90° angled

09 45 551 1102¹⁾



¹⁾ Packaging: Blister à 120 pieces

²⁾ Packaging: Tape & Reel à 130 pieces