
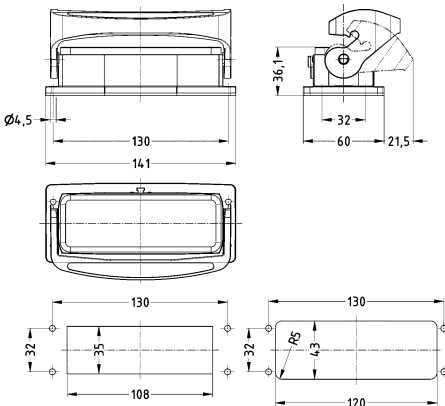

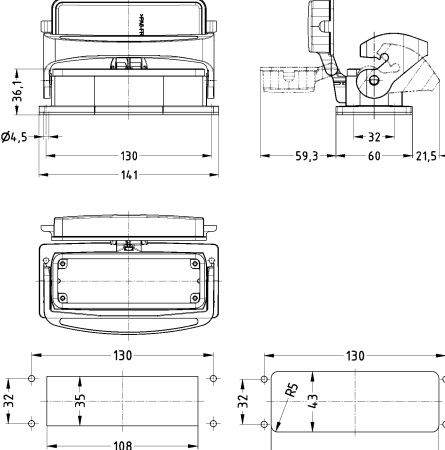

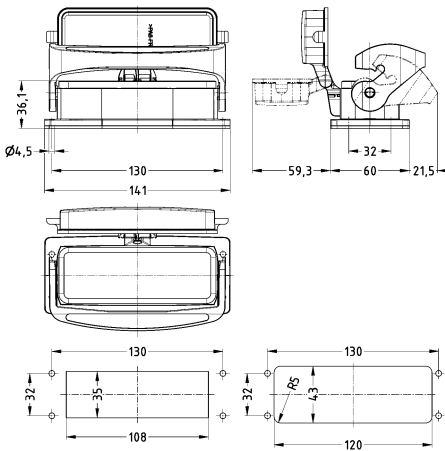


Han Eco

Identification	Cable entry	Clamping range (mm)	Part number	Drawing (dimensions in mm)
<p>Han-Eco® B, Bulkhead mounted housing, Without frame, IP66</p>  <p>Please order frame 19 43 024 0001 separately.</p>			19 43 024 0330	 <p>Panel cut out Front mounting / Rear mounting</p>
<p>Han-Eco® B, Bulkhead mounted housing, With thermo-plastic cover, IP66</p> 			19 43 024 0341	 <p>Panel cut out Front mounting / Rear mounting</p>
<p>Han-Eco® B, Bulkhead mounted housing, With thermo-plastic cover, Without frame, IP66</p>  <p>Please order frame 19 43 024 0001 separately.</p>			19 43 024 0331	 <p>Panel cut out Front mounting / Rear mounting</p>