
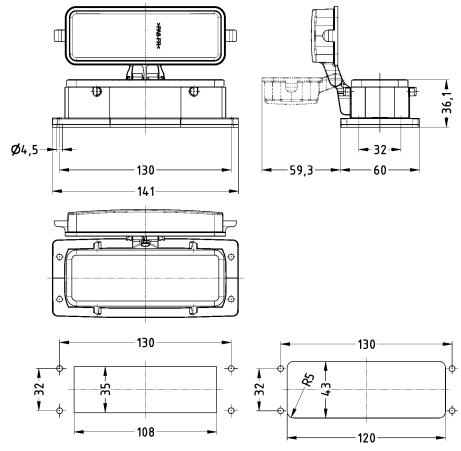



Han Eco

Identification	Cable entry	Clamping range (mm)	Part number	Drawing (dimensions in mm)
<p>Han-Eco® B, Bulkhead mounted housing, With thermo-plastic cover, Without frame, IP66</p>  <p>Please order frame 19 43 024 0001 separately.</p>			<p>19 43 024 0312</p>	 <p>Panel cut out Front mounting / Rear mounting</p>
<p>Han-Eco® B, Surface mounted housing, With thermo-plastic cover, With integrated cable gland, Side entry, IP66</p> 	<p>1x M32 1x M40 2x M32 2x M40</p>	<p>13 ... 21 16 ... 28 13 ... 21 16 ... 28</p>	<p>19 43 124 0227 19 43 124 0228 19 43 124 0267 19 43 124 0268</p>	