
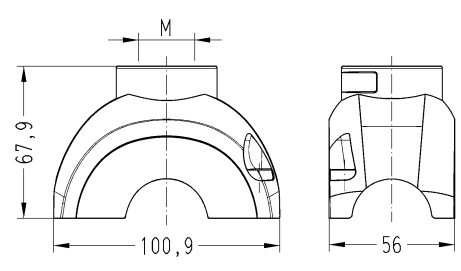

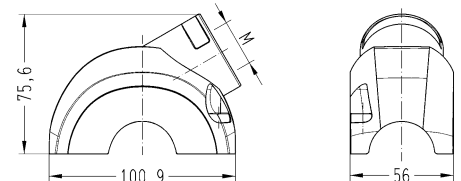

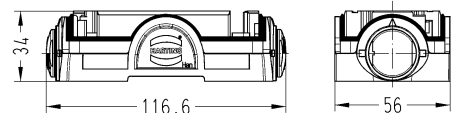



Hoods/housings for outdoor applications  
Push button

Yellock

Identification	Cable entry	Part number	Drawing (dimensions in mm)
Han- <i>Yellock</i> ®, Shell, Top entry, IP65, IP67  	1x M32 1x M40	11 13 600 1402 11 13 600 1403	
Han- <i>Yellock</i> ®, Shell, Side entry, IP65, IP67  	1x M32	11 13 600 1502	
Han- <i>Yellock</i> ®, Carrier hood, Plain push button, IP65, IP67  		11 13 600 0100	
Han- <i>Yellock</i> ®, Carrier hood, Push button, slot, IP65, IP67  		11 13 600 0110	