
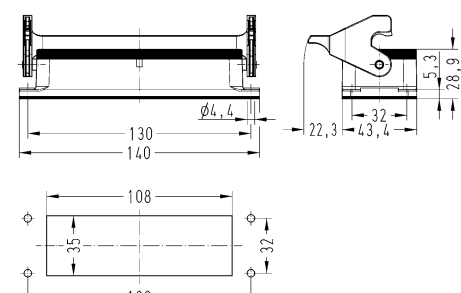

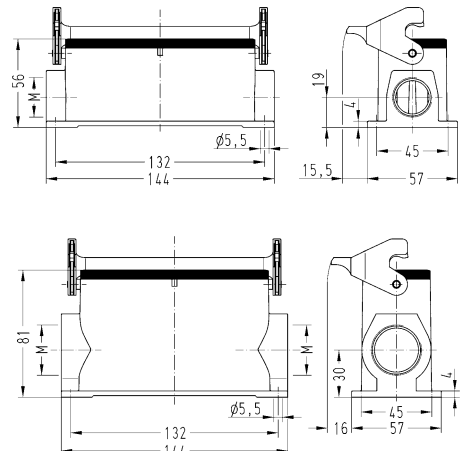



Han  
HMC

Identification	Cable entry	Part number		Drawing (dimensions in mm)
		Low construction	High construction	
Han® HMC, Bulkhead mounted housing, Han-Easy Lock®, IP65  		09 30 224 0307		 <p>Panel cut out</p>
Han® HMC, Surface mounted housing, Side entry, Han-Easy Lock®, IP65  	1x M25 2x M25 2x M32	19 30 224 1251 19 30 224 1291	19 30 224 0292	
Han® HMC, Cable to cable housing, Top entry, Han-Easy Lock®, IP65  	1x M32	19 30 224 1752	19 30 224 0757	