
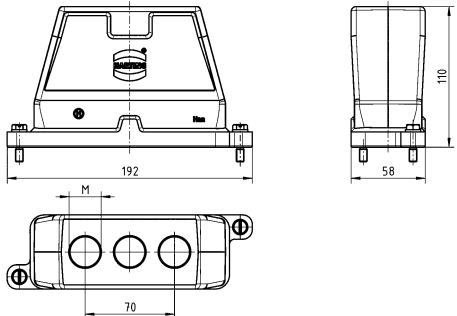

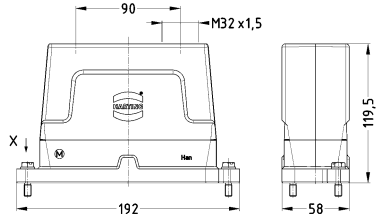

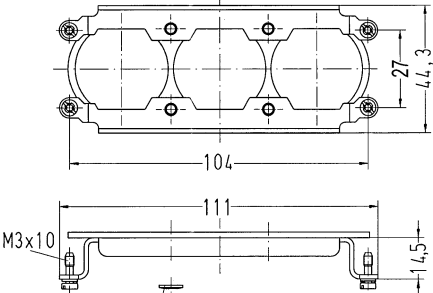




Hoods/housings for harsh outdoor environments
Screw locking

Han
HC

Identification	Cable entry	Size	Part number	Drawing (dimensions in mm)
<p>Han® HPR, Hood, Top entry, IP65, IP68, IP69 / IPX9K acc. to ISO 20653</p> 	3x M25		19 40 024 0461	
<p>Han® HPR, Hood, Top entry, High construction, IP65, IP68, IP69 / IPX9K acc. to ISO 20653</p> 	3x M32		19 40 024 0467	
<p>Han® HPR, Frame, for male inserts, for female inserts, 3x Han® HC Modular 350</p> 			09 11 000 9963	 <p>Tightening torque Fixing screws M3: 0.5 Nm Tightening torque Fixing screws M4: 1.5 Nm</p>