
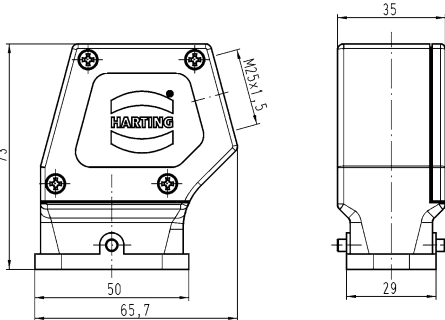





Han Q

Identification	Cable entry	Part number	Drawing (dimensions in mm)
<p>Han-Compact®, Hood, for standard cable gland, With separate PE terminating point, for all inserts of size Han-Compact®, Side entry, IP65</p> 	<p>1x M25</p>	<p>19 12 008 0528</p>	
<p>Han-Compact®, Bulkhead mounted housing, IP65</p> 		<p>09 12 008 0303</p>	