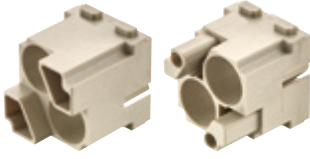
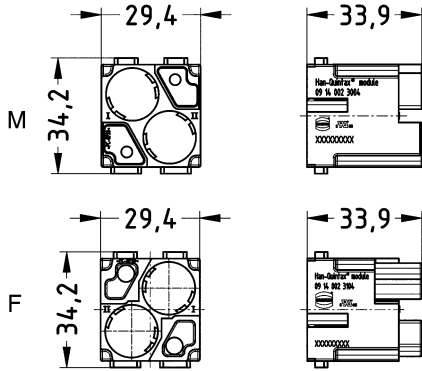

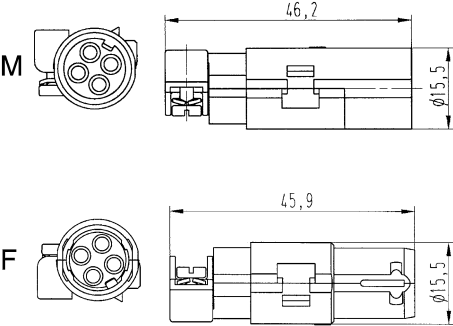

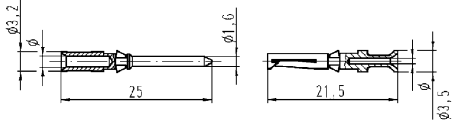


Identification	Conductor cross-section (mm ²)	Part number		Drawing (dimensions in mm)
		Male	Female	
<p>Han-Modular®, Han-Quintax® module, Crimp termination</p> 		09 14 002 3004	09 14 002 3104	
<p>Han-Quintax®, for Han D® crimp contacts</p>  <p>Please order crimp contacts separately.</p>	0.14 ... 2.5	09 15 004 3013	09 15 004 3113	 <p>Cable diameter 3 ... 9.5 mm</p>
<p>Han D®, Crimp contact, Contact surface: Gold plated</p> 	0.14 ... 0.37 0.5 0.75 1 1.5 2.5	09 15 000 6124 09 15 000 6123 09 15 000 6125 09 15 000 6122 09 15 000 6121 09 15 000 6126	09 15 000 6224 09 15 000 6223 09 15 000 6225 09 15 000 6222 09 15 000 6221 09 15 000 6226	

Conductor cross-section	∅	Stripping length
0.14-0.37 mm ² AWG 26-22	0.9 mm	8 mm
0.5 mm ² AWG 20	1.1 mm	8 mm
0.75 mm ² AWG 18	1.3 mm	8 mm
1 mm ² AWG 18	1.45 mm	8 mm
1.5 mm ² AWG 16	1.75 mm	8 mm
2.5 mm ² AWG 14	2.25 mm	6 mm