

Number of contacts

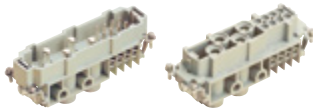
4+

80 A 400 V 6 kV 3
 16 A 400 V 6 kV 3
 + 8 additional signal contacts

Han-Com

Identification	Conductor cross-section (mm ²)	Part number		Drawing (dimensions in mm)
		Male	Female	

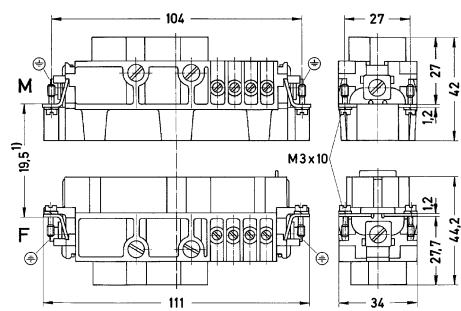
Han-Com®,
 Han® K 4/8,
 Screw termination,
 Contact surface:
 Silver plated



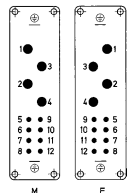
1.5 ... 16,
 0.5 ... 2.5
 Signal

09 38 012 2601

09 38 012 2701



1) distance for contact max. 21 mm



Contact arrangement (view from termination side)

Power contacts		
Conductor cross-section	Tightening torque	Stripping length
1.5 mm ²	1.2 Nm	14 mm
2.5 mm ²	2 Nm	14 mm
4 mm ²	3 Nm	14 mm
6 mm ²	3 Nm	14 mm
10 mm ²	3 Nm	14 mm
16 mm ²	3 Nm	14 mm

Signal contacts :
 Stripping length 7.5 mm
 Tightening torque 0.5 Nm