
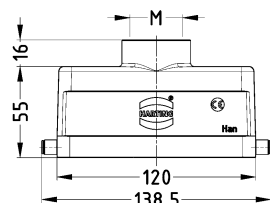
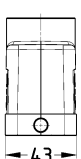

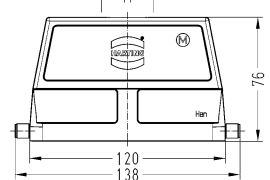
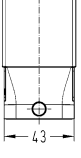



Standard hoods/housings for industrial connectors
Single locking lever

Identification	Cable entry	Part number		Drawing (dimensions in mm)			
		Low construc- tion	High construc- tion				
Han® B, Hood, Top entry, IP65, IP66, IP67 	1x M32 1x M40 2x M25 2x M32	19 30 024 1442	19 30 024 0447				
			19 30 024 0448 19 30 024 0456 19 30 024 0457				
Han® B, Hood, Side entry, IP65, IP66, IP67 	1x M25 1x M32 1x M40	19 30 024 1541 19 30 024 1542	19 30 024 0547				
			19 30 024 0548				
Han® B, Hood, Without cable entry, IP65, IP66, IP67 			09 30 024 0803	