
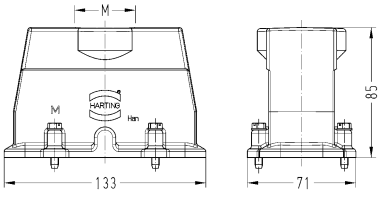

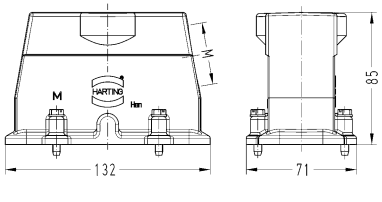

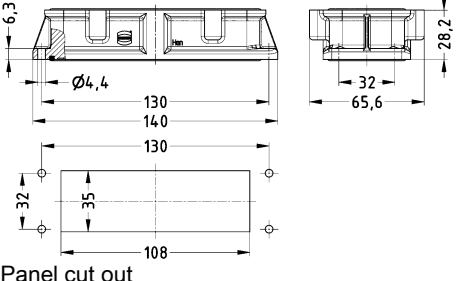


Hoods/Housings for higher EMC requirements
Screw locking

Housings

Identification	Cable entry	Part number	Drawing (dimensions in mm)
<p>Han® EMC, Hood, Top entry, IP65</p> 	<p>1x M40</p>	<p>19 62 064 0443</p>	
<p>Han® EMC, Hood, Side entry, IP65</p> 	<p>1x M40</p>	<p>19 62 064 0543</p>	
<p>Han® EMC, Bulkhead mounted housing, IP65</p> 		<p>09 62 064 0301</p>	 <p>Panel cut out</p>