
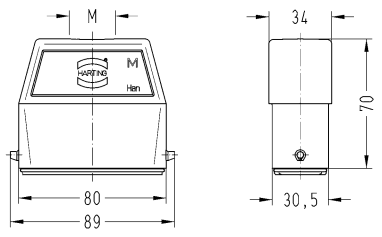

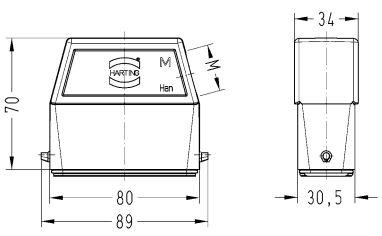

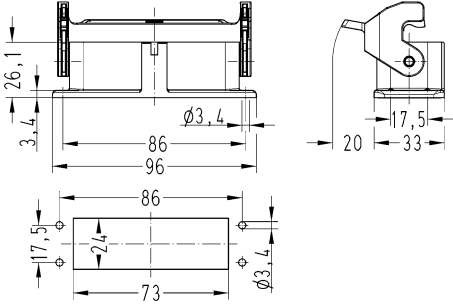


Hoods/Housings for higher EMC requirements
Single locking lever

Housings

Identification	Cable entry	Part number	Drawing (dimensions in mm)
Han® EMC, Hood, Top entry, IP65 	1x M25	19 62 025 0446	
Han® EMC, Hood, Side entry, IP65 	1x M25	19 62 025 0546	
Han® EMC, Bulkhead mounted housing, Han-Easy Lock®, IP65 		09 62 025 0301	 <p>Panel cut out</p>