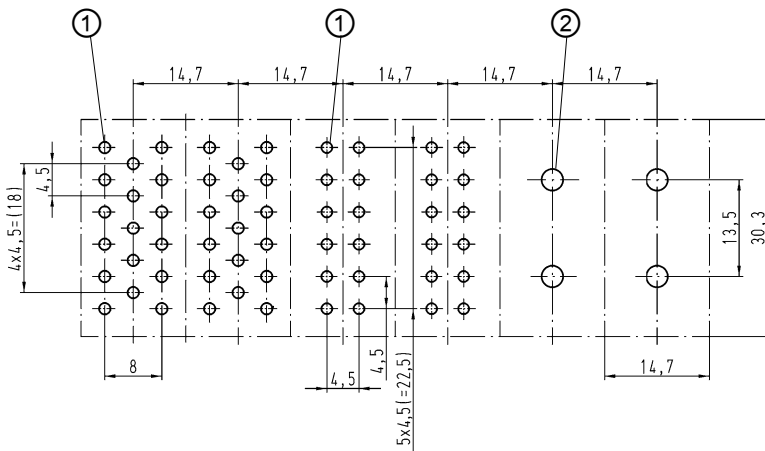


## Layout of PCB

Dimensions in mm

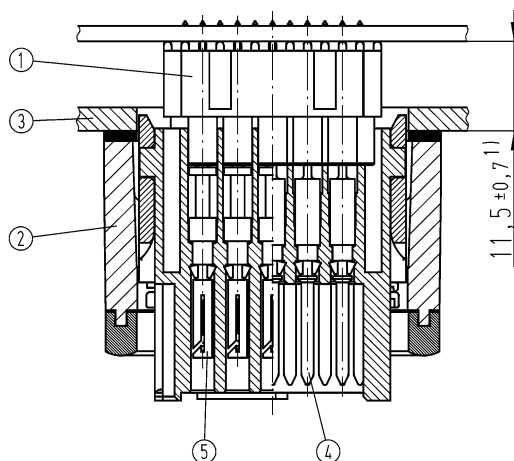


Han® DDD module   Han® DD module   Han® 70 A module

- ① Recommended hole diameter: 0.8 mm
- ② Recommended hole diameter: 3.2 mm

## Assembly situation

Dimensions in mm



- ① Han DDD® PCB adapter 5 pins
- ② Han® B bulkhead mounted housing
- ③ Switch board panel
- ④ Han D® double male contact, 09 15 000 6197
- ⑤ Han D® double female contact, 09 15 000 6291

1) for Han® B EMV hood and housing spacing of  $12.5 \pm 0.7$  mm is necessary as no flange seal is used.

For further information and Han-Modular® frames please refer to chapter 06 (Han-Modular®)