

Number of contacts

7+

10 A 400 V 6 kV 3

Han-Power

Identification

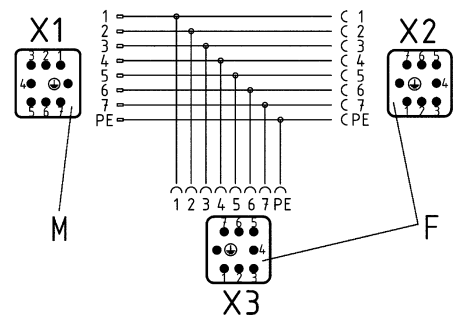
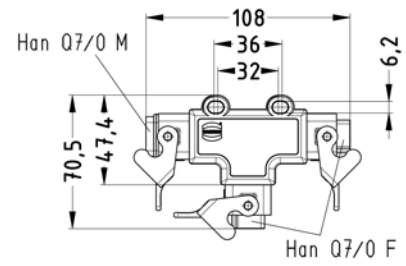
Han-Power® T ,
Energy distributor,
With 3x Han® Q 7/0,
In Han® 3 A Housings, bulkhead mounting



Part number

09 12 008 4757

Drawing
(dimensions in mm)



Wiring diagram