

Contents

Page

Staf® .....

**Han 09.2**

Staf

## Features

- male insert with female contacts
- female insert with male contacts

## Technical characteristics

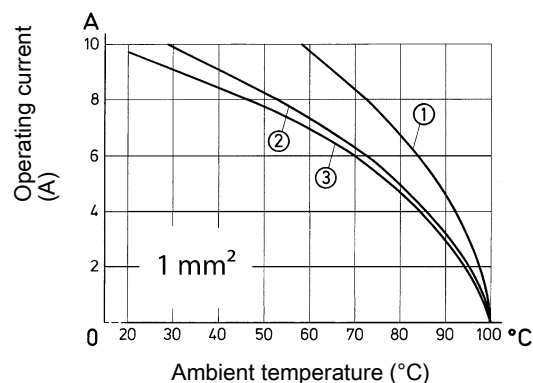
Number of contacts	6, 14, 20, 40
Rated current	10 A
Rated voltage	25 V
Rated impulse voltage	0.8 kV
Pollution degree	3
Rated voltage	25 V AC, 60 V DC
Rated voltage acc. to UL	50 V
Rated voltage acc. to CSA	50 V
Insulation resistance	$\geq 10^{10} \Omega$
Contact resistance	$\leq 2 \text{ m}\Omega$
Limiting temperature	-40 ... +100 °C
Mating cycles	$\geq 500$
Material (insert)	Polyamide
Colour (insert)	Black
Material (contacts)	Copper alloy
Material flammability class acc. to UL 94	HB
RoHS	compliant with exemption
RoHS exemptions	<b>6c:</b> Copper alloy containing up to 4 % lead by weight

## Derating

### Current carrying capacity

The current carrying capacity of the connectors is limited by the thermal load capability of the contact element material including the connections and the insulating parts. The derating curve is therefore valid for currents which flow constantly (non-intermittent) through each contact element of the connector evenly, without exceeding the allowed maximum temperature.

Measuring and testing techniques acc. to IEC 60512-5-2



- ① Staf® 6
- ② Staf® 14
- ③ Staf® 20

## Specifications and approvals

EN 60664-1  
IEC 61984  
UL 1977 ECBT2.E235076

## Details


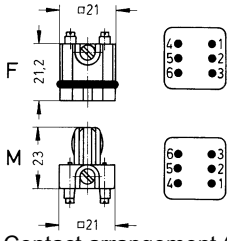

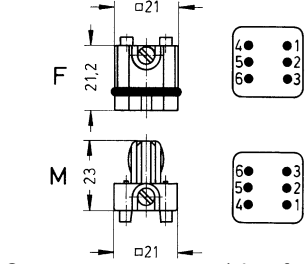
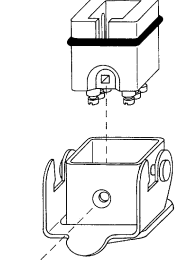
In accordance with the appropriate regulations a wire-end sleeve has to be used at clamps without wire protection (see "screw terminal", chapter 00).

Number of contacts

6

10 A 25 V 0.8 kV 3

Staf


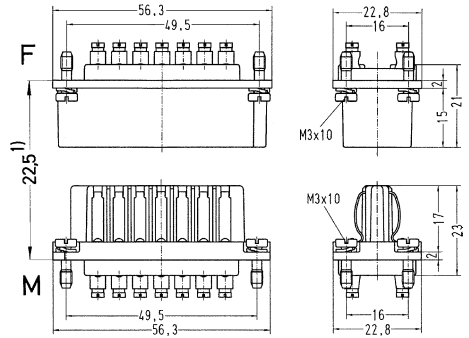
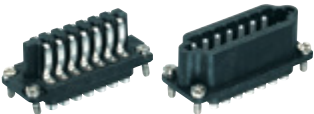
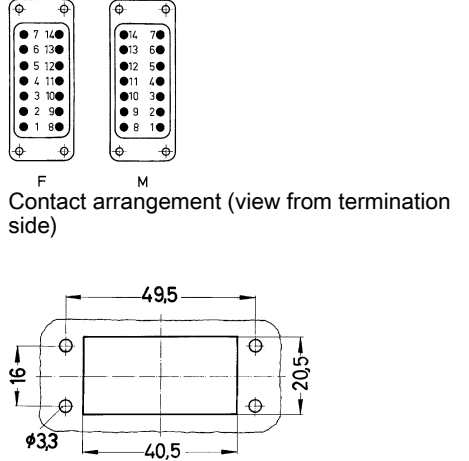
Identification	Conductor cross-section (mm <sup>2</sup> )	Part number		Drawing (dimensions in mm)
		Male	Female	
Staf®, Screw termination, Contact surface: Silver plated 	1.5	09 70 006 2813	09 70 006 2616	 <p>Contact arrangement (view from termination side)</p>
Staf®, Solder termination, Contact surface: Silver plated 	2.5	09 70 006 2812	09 70 006 2615	 <p>Contact arrangement (view from termination side)</p>  <p>Mounting example</p>

Number of contacts

14

10 A 25 V 0.8 kV 3

Staf

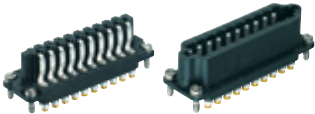
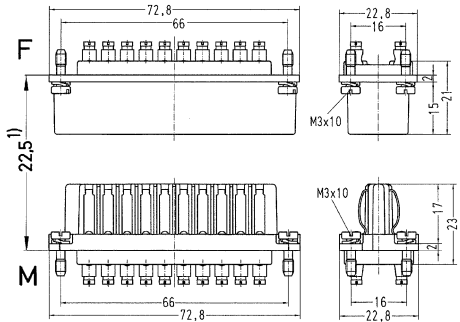

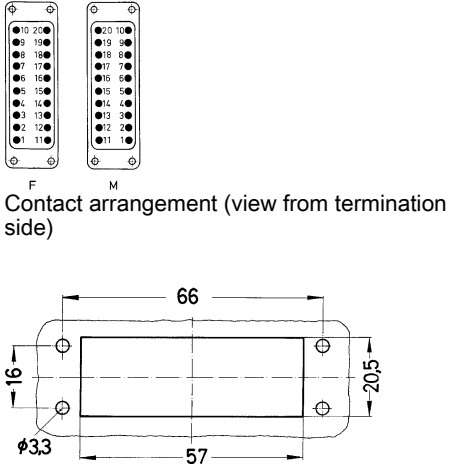
Identification	Conductor cross-section (mm <sup>2</sup> )	Part number		Drawing (dimensions in mm)
		Male	Female	
Staf®, Screw termination, Contact surface: Silver plated 	1.5	09 70 014 2811	09 70 014 2614	 <p>1) distance for contact max. 24 mm</p>
Staf®, Solder termination, Contact surface: Silver plated 	2.5	09 70 014 2810	09 70 014 2613	 <p>Panel cut out for use without Hoods/Housings</p>

Number of contacts

20

10 A 25 V 0.8 kV 3

Staf

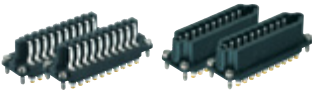
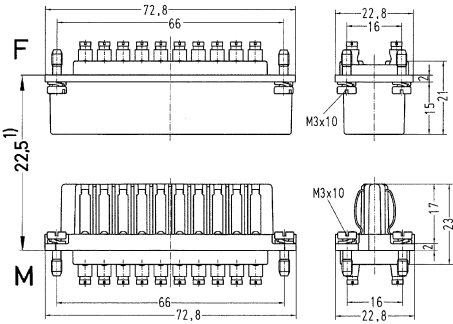
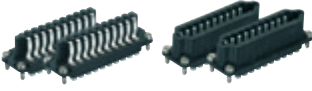
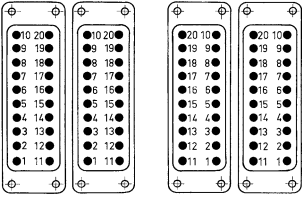
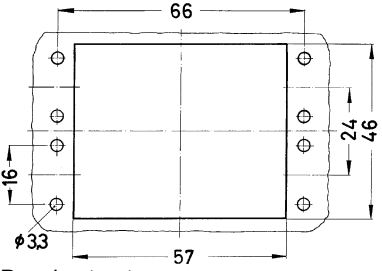
Identification	Conductor cross-section (mm <sup>2</sup> )	Part number		Drawing (dimensions in mm)
		Male	Female	
Staf®, Screw termination, Contact surface: Silver plated 	1.5	09 70 020 2817	09 70 020 2622	 <p>1) distance for contact max. 24 mm</p>
Staf®, Solder termination, Contact surface: Silver plated 	2.5	09 70 020 2816	09 70 020 2621	 <p>Panel cut out for use without Hoods/Housings</p>

Number of contacts

**40**

10 A 25 V 0.8 kV 3

Staf

Identification	Conductor cross-section (mm <sup>2</sup> )	Part number		Drawing (dimensions in mm)
		Male	Female	
Staf®, Screw termination, Contact surface: Silver plated  <p>You need two inserts for a complete assembly!</p>	1.5	09 70 020 2817	09 70 020 2622	 <p>1) distance for contact max. 24 mm</p>
Staf®, Solder termination, Contact surface: Silver plated  <p>You need two inserts for a complete assembly!</p>	2.5	09 70 020 2816	09 70 020 2621	 <p>Contact arrangement (view from termination side)</p>  <p>Panel cut out for use without Hoods/Housings</p>