

Micro Card Edge connector



100pin connector

Identification	Number of contacts	Part number	Drawing	Dimensions in mm
----------------	--------------------	-------------	---------	------------------

Micro Card Edge connector

1800 pieces in a "Tape and Reel" packaging (9 reels with 200 pcs.)

100

15 02 100 4601 040

200 pieces in a "Tape and Reel" packaging

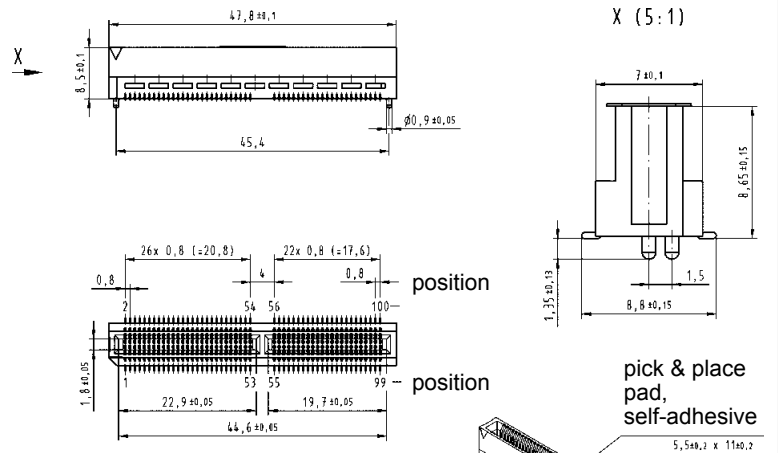
100

15 02 100 4601 042

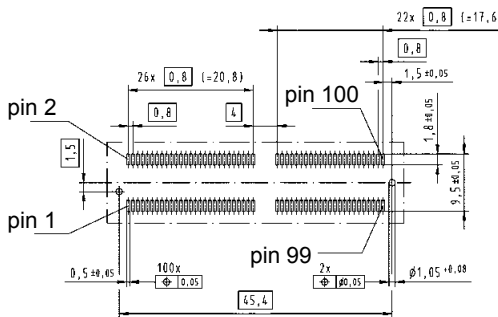
Single connector sample

100

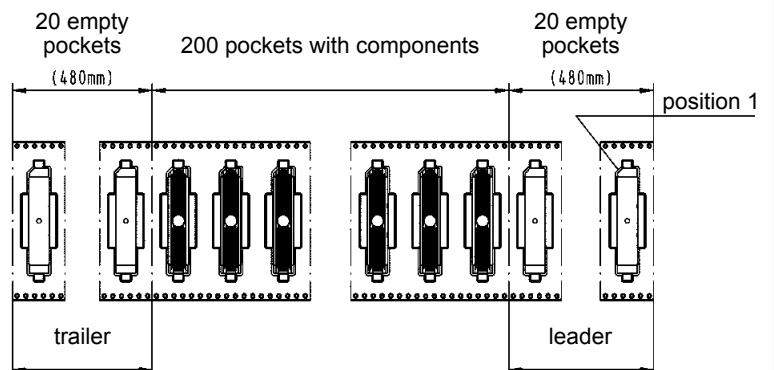
15 02 100 4601 333



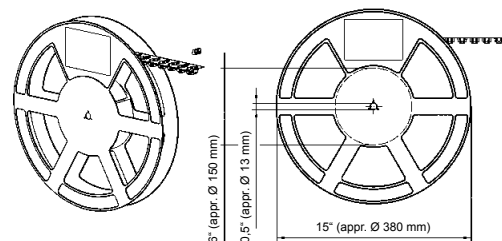
Board layout



"Tape and Reel" packaging



Reel dimensions



MCE

05
05