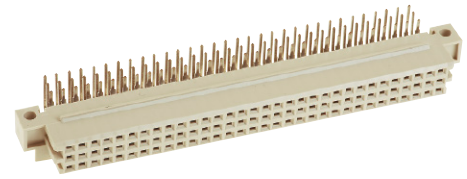


Number of contacts

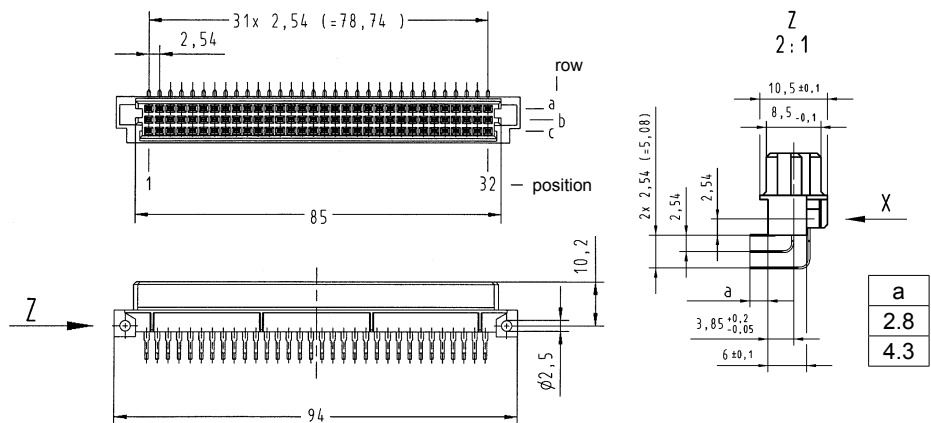
96, 64, 32



Female connectors

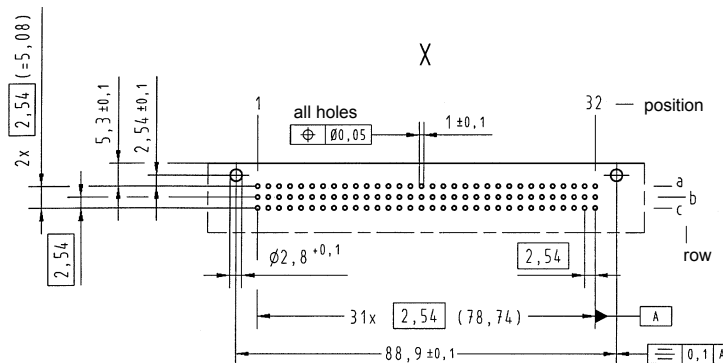
Identification	No. of contacts	Contact arrangement	Performance levels according to IEC 60603-2. Explanation chapter 00		
			Part number 3	2	1
Female connector with angled solder pins Length 2.8 mm	THR		09 73 296 7801 09 73 496 7801 ^{b)}	09 73 296 6801 09 73 496 6801 ^{b)} 09 73 796 6801 ^{c)}	09 73 296 2801
				09 73 296 6804 ^{d)} 09 73 496 6804 ^{b)d)}	09 73 496 2804 ^{b)d)}
			09 73 264 7801 09 73 464 7801 ^{b)}	09 73 264 6801 09 73 464 6801 ^{b)}	09 73 264 2801
	THR			09 73 264 6804 ^{d)} 09 73 464 6804 ^{b)d)}	09 73 264 2804 ^{d)} 09 73 464 2804 ^{b)d)}
			09 73 232 7801	09 73 232 6801	09 73 232 2801
				09 73 232 6811	
Length 4.3 mm	96			09 73 496 6855 ^{b)}	

Dimensions

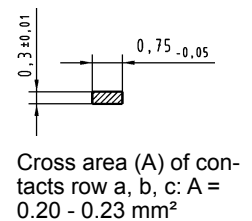


Board drillings

Mounting side



Cross section of solder terminations



Cross area (A) of contacts row a, b, c: A = 0.20 - 0.23 mm²

Dimensions in mm

Other contact arrangements on request

^{b)} Connectors with snap-in clips see chapter 00

^{c)} Connectors with coding see chapter 00

^{d)} CTI > 400