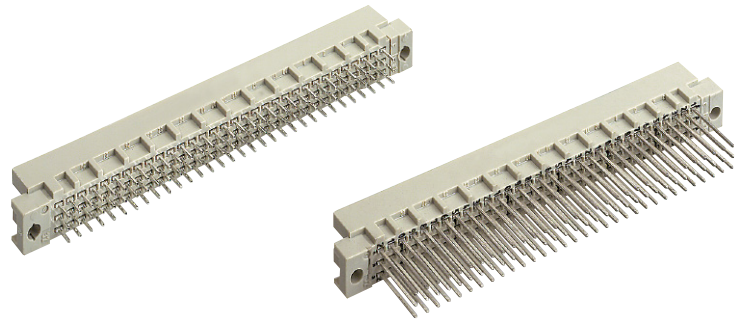


Number of contacts

96, 64



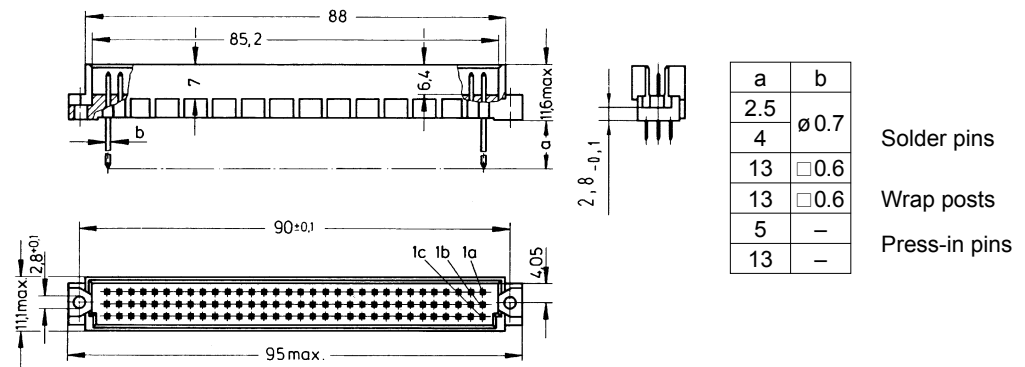
Male connectors

Identification

Drawing

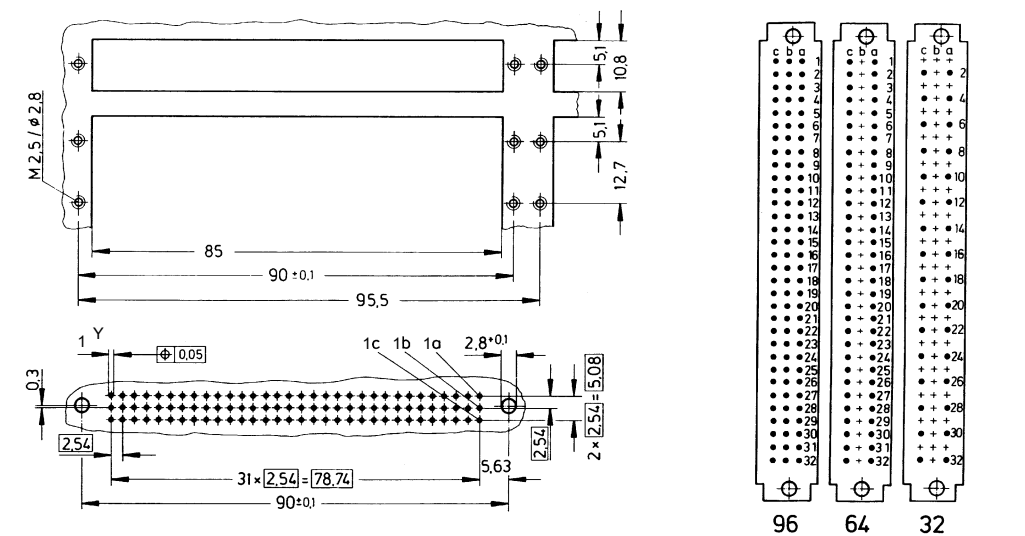
Dimensions in mm

Dimensions



Panel cut out

Board drillings
Mounting side



Contact arrangement
View from termination side

Cross section of solder terminations

