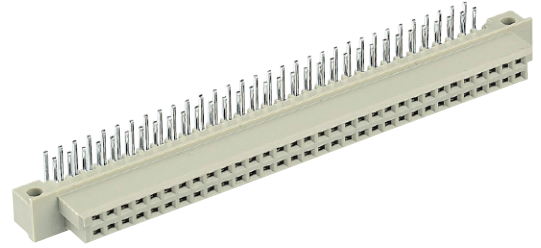


Number of contacts

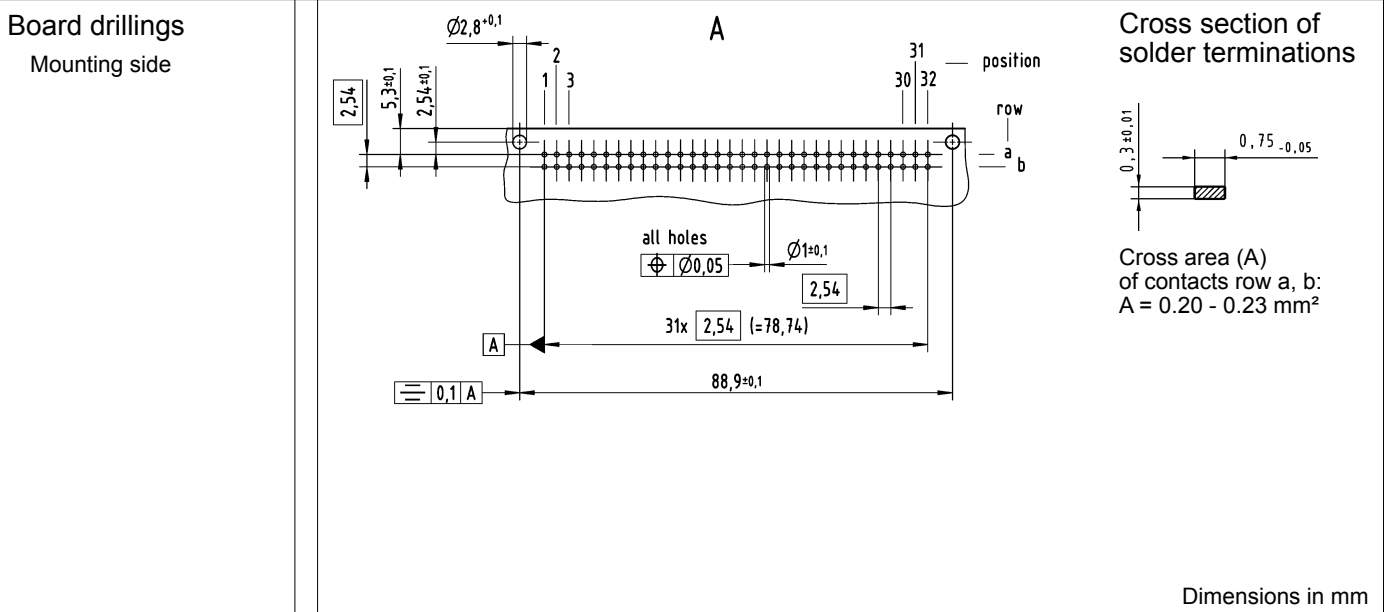
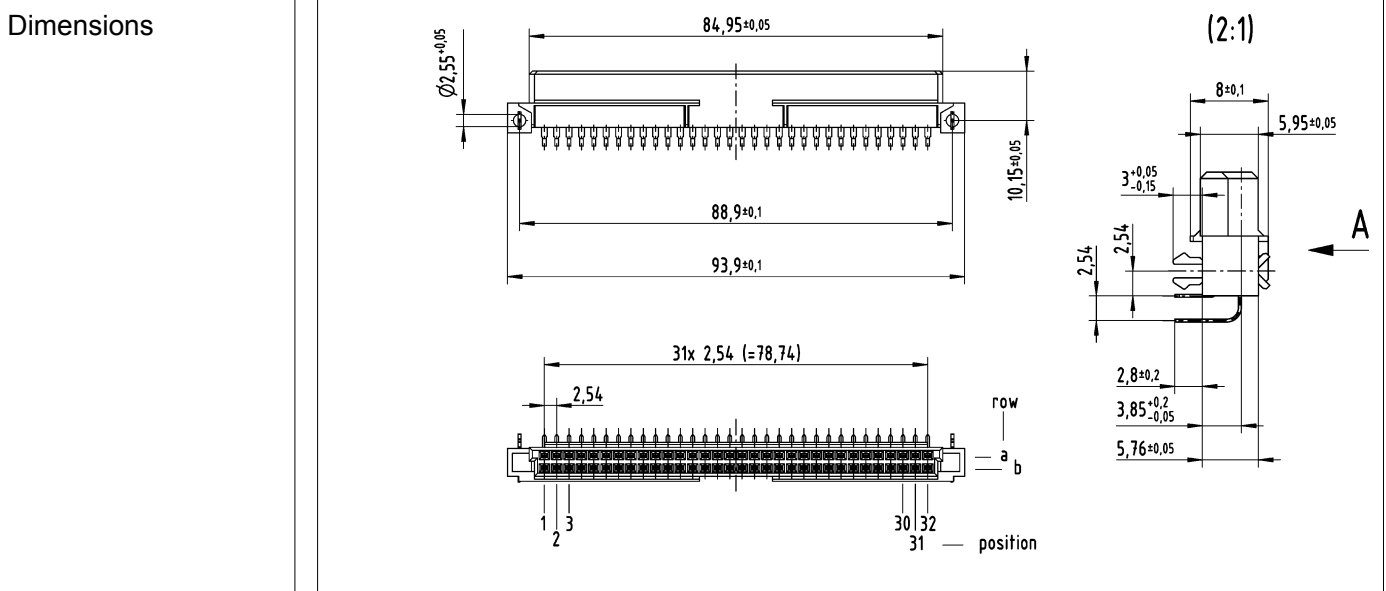
64



Female connectors

Identification	No. of contacts	Contact arrangement	Part number			Performance levels according to IEC 60603-2. Explanation chapter 00		
			3	2	1	3	2	1
Female connector with angled solder pins THR	64		Performance level 3 on request	09 72 264 6801 09 72 464 6801 ^{b)}	Performance level 1 on request			
	64			09 72 264 6804 ^{d)}				

DIN Signal up to 2 A



Dimensions in mm

Other contact arrangements as well with lagging/leading pins on request

^{b)} Connectors with snap-in clips see chapter 00

^{d)} CTI > 400